

# MICRO SWITCH

A DIVISION OF MINNEAPOLIS-HONEYWELL REGULATOR COMPANY  
MINNEAPOLIS, MINNESOTA

FED. MFR. CODE 91929

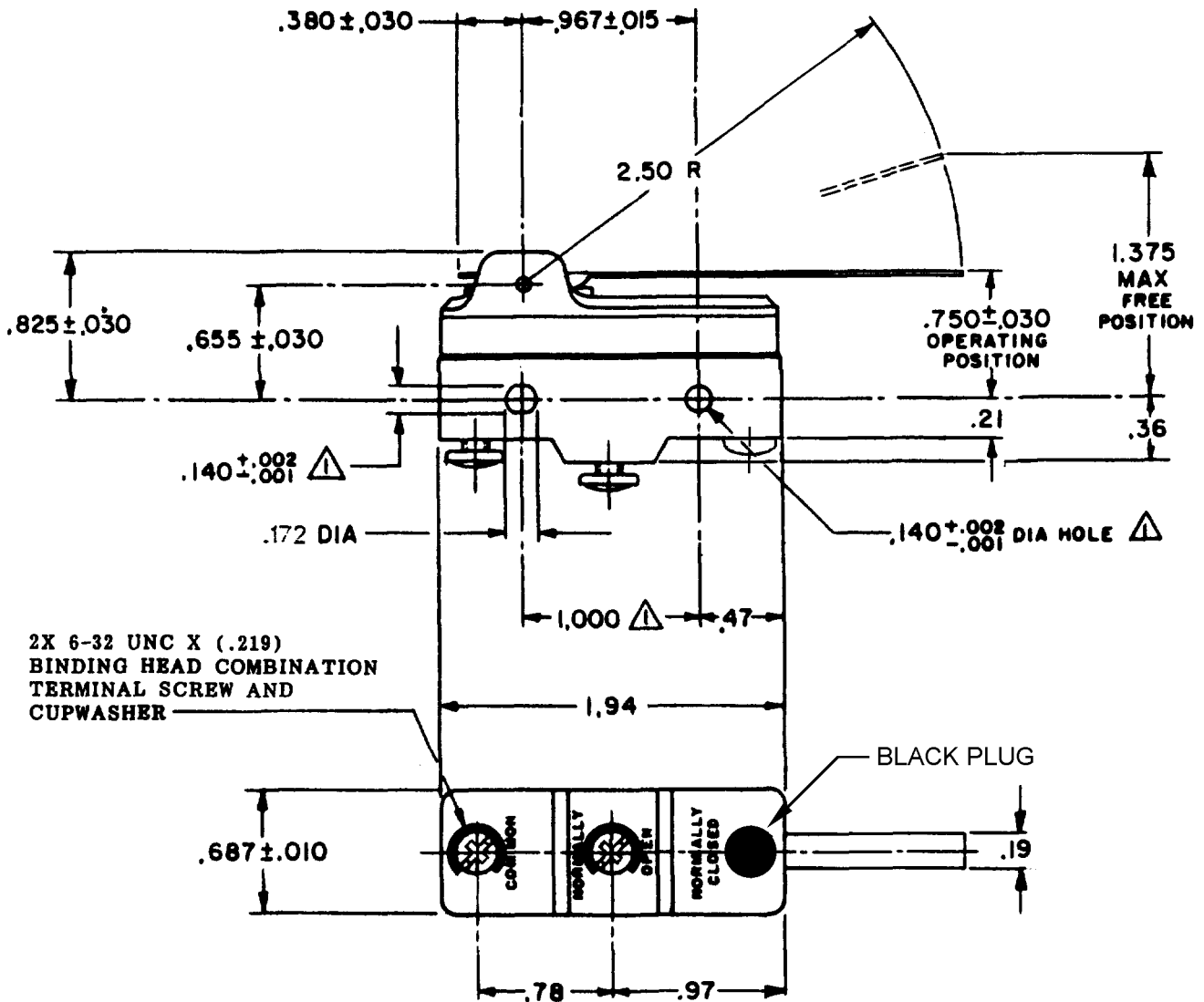
# SWITCH - BASIC

CATALOG LISTING

YA-2RV-A2

ADP5000

CATALOG LISTING  
**YA-2RV-A2**  
PAGE 1 OF 1  
REPLACES  
**M**  
DRAWING NUMBER  
ISSUE 9



2X 6-32 UNC X (.219)  
BINDING HEAD COMBINATION  
TERMINAL SCREW AND  
CUPWASHER

BLACK PLUG

**NOTE**  
▲ MOUNTING HOLES WILL ACCEPT PINS OR SCREWS  
OF .139 MAX DIA ON 1.000 ± .002 CENTERS

THIS DRAWING COVERS A PROPRIETARY ITEM AND IS THE PROPERTY OF MICRO SWITCH, A DIVISION OF MINNEAPOLIS-HONEYWELL REGULATOR CO. THIS DRAWING IS NOT TO BE COPIED OR USED WITHOUT THE APPROVAL OF MICRO SWITCH.

CHARACTERISTICS	ELECTRICAL DATA	SCALE --- FULL
OPERATING FORCE ----- 2 1/2 OZ MAX	CONTACT ARRANGEMENT S P N O	DO NOT SCALE PRINT
RELEASE FORCE ----- 1/2 OZ MIN	L23 20A - 125, 250 OR 480 VAC 10A - 125 VAC "L" 1HP - 125 VAC, 2HP - 250 VAC 1/2A - 125 VDC, 1/4A - 250 VDC CE L288 L308 L315 20(3)A 250V ~ T85 5E4	UNLESS OTHERWISE SPECIFIED
PRETRAVEL ----- .625 MAX		DIMENSIONS ARE IN INCHES <b>TOLERANCES ARE:</b> ONE PLACE (.0) ±.030 TWO PLACE (.00) ±.015 THREE PLACE (.000) ±.005 ANGLES ±
DIFFERENTIAL TRAVEL ----- .109 MAX		WEIGHT
OVERTRAVEL ----- .078 MIN		

REVISIONS  
A CO 15663 15 DEC 61  
B CO-34312 17 FEB 66  
C CO-73287-1 22 NOV 93  
D CO-77588 29 MAR 94  
E C093346 27 AUG 98  
F 0000770 8 JUL 03  
G 0018388 17 FEB 06

RASTER  
3-50376  
DRAWN  
GCH 15 DEC 61  
CHECK DAW 9 JAN 62  
CHECK DAW 9 JAN 62