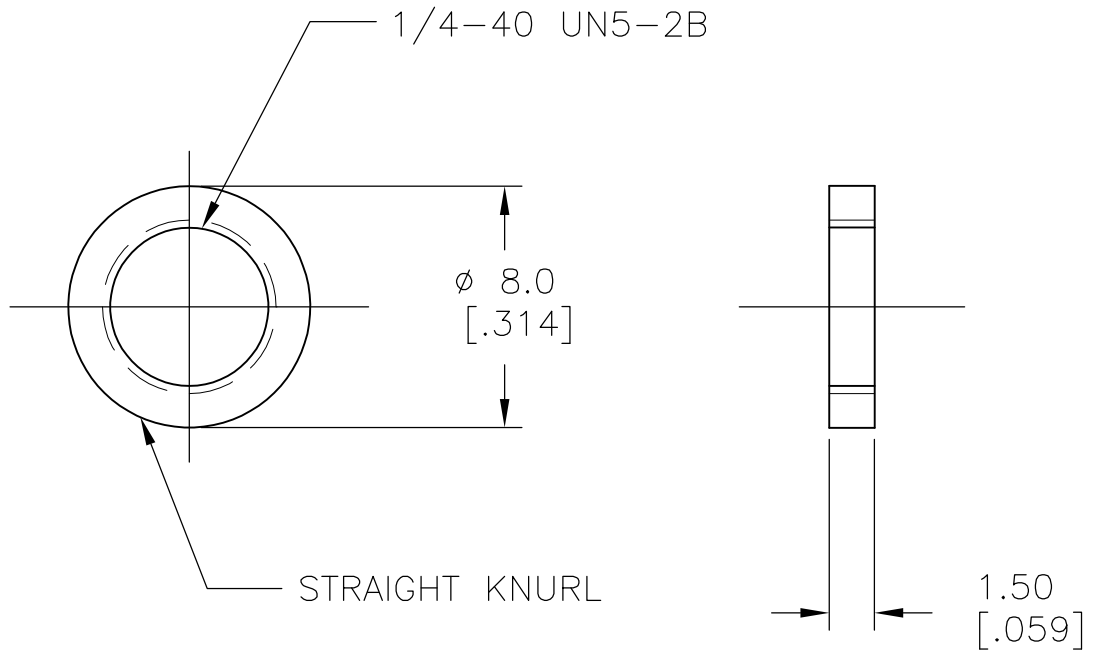


LOC	DIST	REVISIONS					
—	—	P	LTR	DESCRIPTION	DATE	DWN	APVD
			A	REDRAWN PER ECO-08-024774	13OCT08	HMR	WM



THIS DRAWING IS UNPUBLISHED.
 RELEASED FOR PUBLICATION
 ALL INTERNATIONAL RIGHTS RESERVED.
 © COPYRIGHT - BY TYCO ELECTRONICS CORPORATION.

DIMENSIONS: mm [INCHES]	DWN	13OCT2008	MATERIAL	COPPER ALLOY	FINISH	NICKEL				
	CHK	13OCT2008	Tyco Electronics Corporation Harrisburg, PA 17105-3608							
TOLERANCES UNLESS OTHERWISE SPECIFIED: 0 PLC ± - 1 PLC ± - 2 PLC ± - 3 PLC ± 0.25[.010] 4 PLC ± - ANGLES ± -	APVD	13OCT2008	Tyco Electronics Corporation Harrisburg, PA 17105-3608							
	PRODUCT SPEC	—	NAME STANDARD KNURL NUT							
	APPLICATION SPEC	—	SIZE	CAGE CODE	DRAWING NO	RESTRICTED TO				
	WEIGHT	—	A4	00779	C-1437628-7	—				
CUSTOMER DRAWING					SCALE	4:1	SHEET	1 OF 1	REV	A

