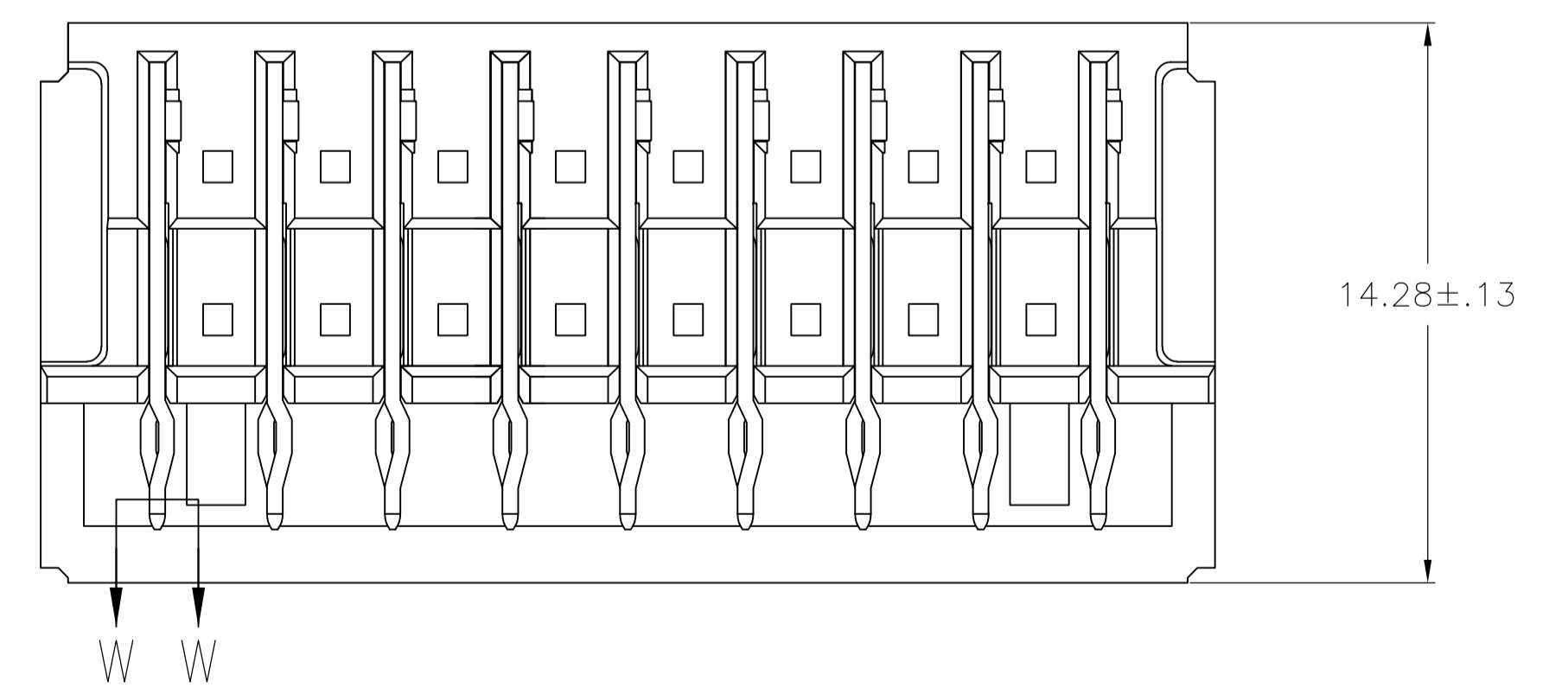
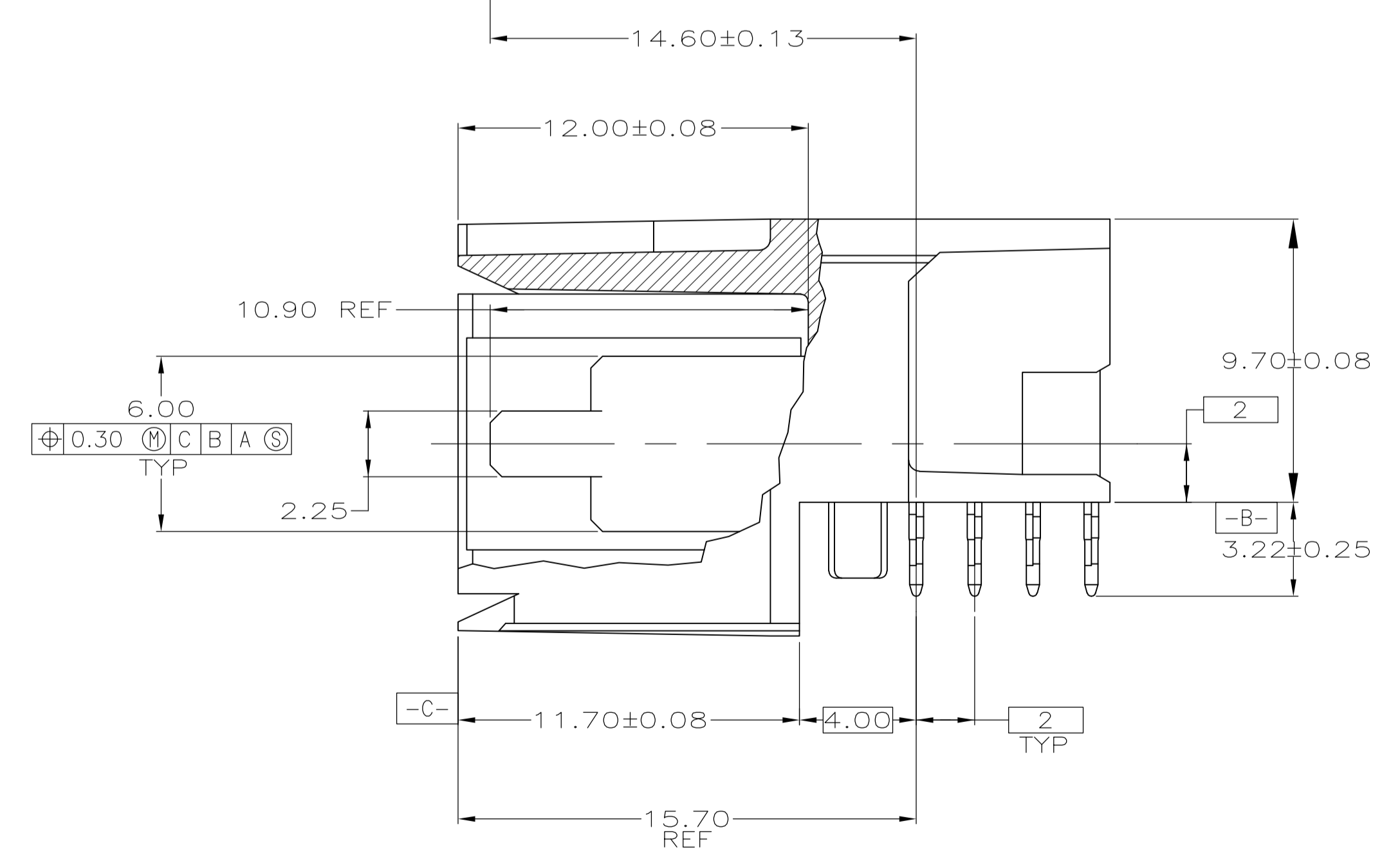
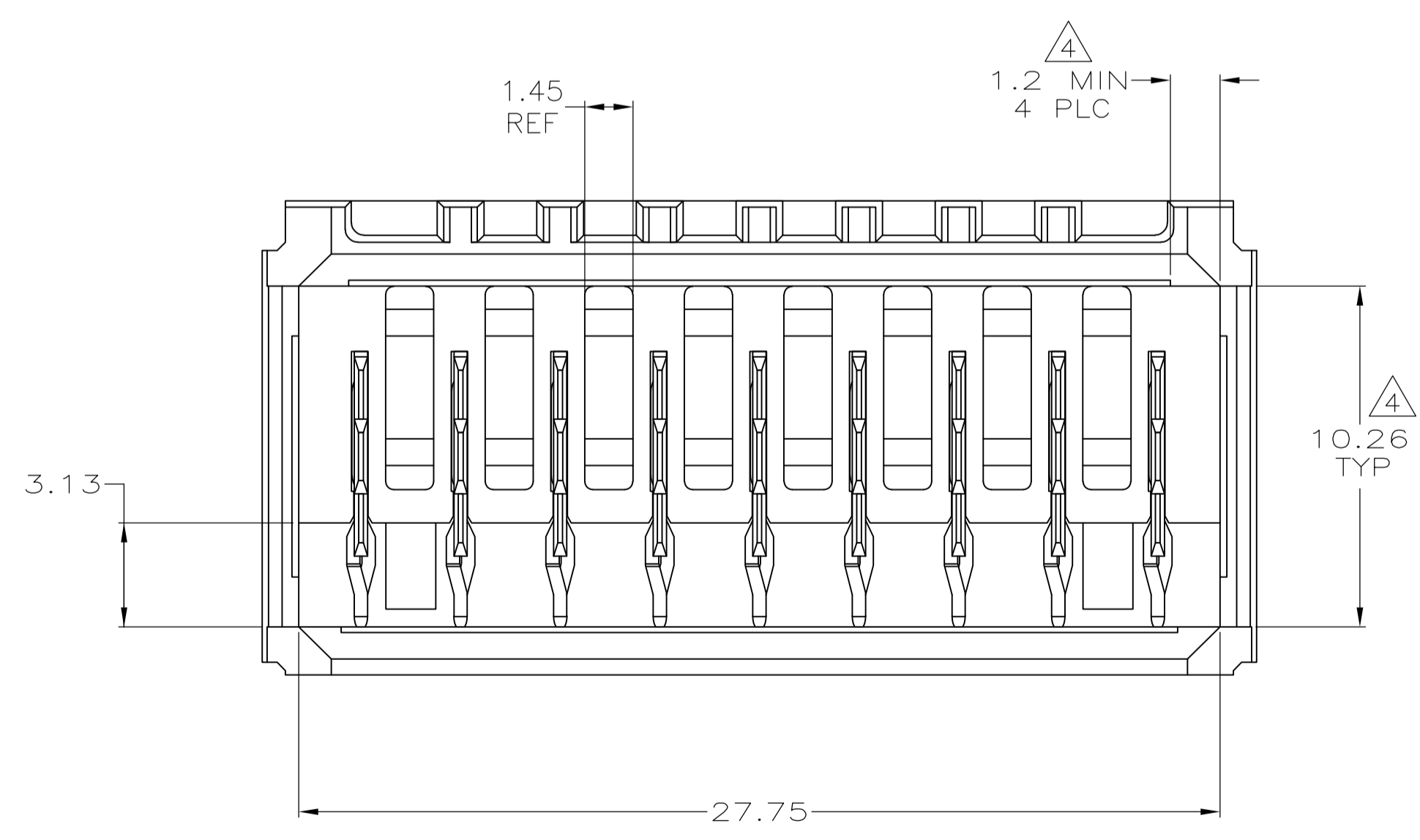
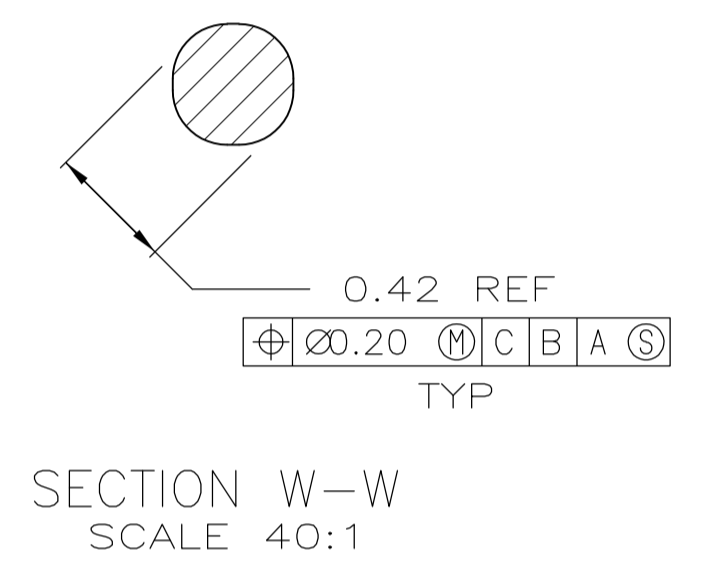


- Δ MATERIAL: HOUSING: POLYESTER. COLOR: GRAY. UL 94V-0. CONTACT: PHOSPHOR BRONZE.
- Δ FINISH: CONTACT MATING AREA: 1.27µm MIN GOLD OR 0.08µm MIN GOLD OVER 0.76µm MIN PALLADIUM-NICKEL. ACTION PIN AREA: 0.5µm MIN TIN LEAD PLATE, ALL OVER 1.27µm MIN NICKEL UNDERPLATE.
- Δ FINISH: CONTACT LUBRICATION WITH BELLCORE APPROVED LUBRICANT. TECHNICAL REFERENCE: GR-1217-CORE, ISSUE 1, NOVEMBER 1995.
- Δ THE 10.26±0.13 DIMENSION APPLIES IN THIS AREA.
- Δ REFERENCE APPLICATION SPEC 114-1103 FOR RECOMMENDED PLATED THRU HOLE DIAMETER AND PLATING THICKNESSES.
- 6. CURRENT RATING 10A/CONTACT PER PRODUCT SPEC 108-1651.



Δ 2	Δ 3	646959-1
FINISH	PART NUMBER	

THIS DRAWING IS A CONTROLLED DOCUMENT.		DW: B. CARBO 10 OCT 01	Tyco Electronics Corporation Harrisburg, PA 17105-3608																			
DIMENSIONS: mm		CHK: R. PATTERSON 10 OCT 01	NAME: R. PATTERSON 10 OCT 01																			
TOLERANCES UNLESS OTHERWISE SPECIFIED:		PRODUCT SPEC																				
<table border="1"> <tr><td>0 PLC</td><td>±</td><td>-</td></tr> <tr><td>1 PLC</td><td>±</td><td>-</td></tr> <tr><td>2 PLC</td><td>±</td><td>0.13</td></tr> <tr><td>3 PLC</td><td>±</td><td>-</td></tr> <tr><td>4 PLC</td><td>±</td><td>-</td></tr> <tr><td>ANGLES</td><td>±</td><td>-</td></tr> </table>		0 PLC	±	-	1 PLC	±	-	2 PLC	±	0.13	3 PLC	±	-	4 PLC	±	-	ANGLES	±	-	APPLICATION SPEC		
0 PLC	±	-																				
1 PLC	±	-																				
2 PLC	±	0.13																				
3 PLC	±	-																				
4 PLC	±	-																				
ANGLES	±	-																				
MATERIAL: Δ 1	FINISH: Δ 2	SIZE: A1	CAGE CODE: 00779	DRAWING NO: C=646959																		
CUSTOMER DRAWING		SCALE: 6:1	SHEET: 1 OF 1	REV: E																		