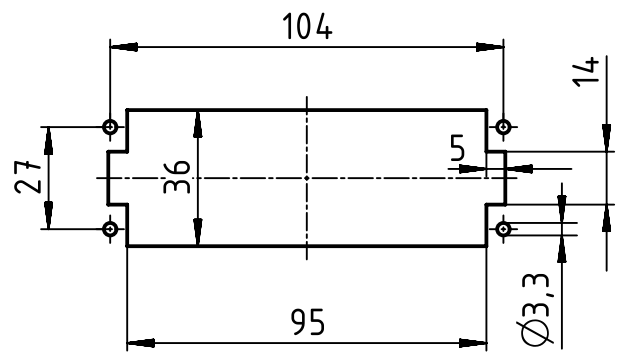



panel cut out (1:2)



|   |  |  |  |                          |                             |  |
|---|--|--|--|--------------------------|-----------------------------|--|
|  | All Dimensions in mm<br>Original Size DIN A4 |  | Scale<br>1:1                                 | Free size tol.           |                             | Ref.   |
|   | All rights reserved<br>Department EL PD - DE |  | Created by<br>HOLLERT                        | Inspected by<br>PRIESTER | Standardisation<br>TIEMANNA | Date<br>2016-08-31                                       |
| HARTING Electric GmbH & Co. KG<br>D-32339 Espelkamp                                 |  |  | Title<br><b>Han High Temp 24E Screw Male</b> |                          |                             | Doc-Key / ECM-Nr.<br>100620384/UGD/001/A<br>500000105233 |
|   |  |  | Type<br>TB                                   | Number<br>09 33 824 2603 |                             | Rev. <b>A</b> Page<br>1/1                                |