

THIS DRAWING IS UNPUBLISHED. RELEASED FOR PUBLICATION AUG ,2006.
 © COPYRIGHT - BY TYCO ELECTRONICS CORPORATION. ALL RIGHTS RESERVED.

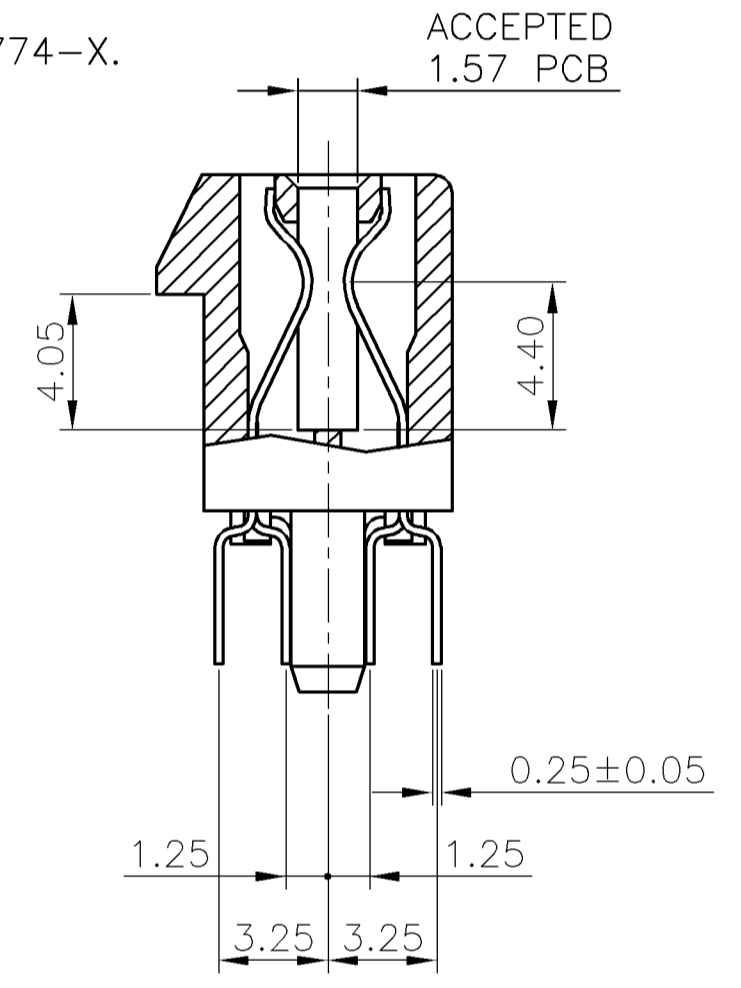
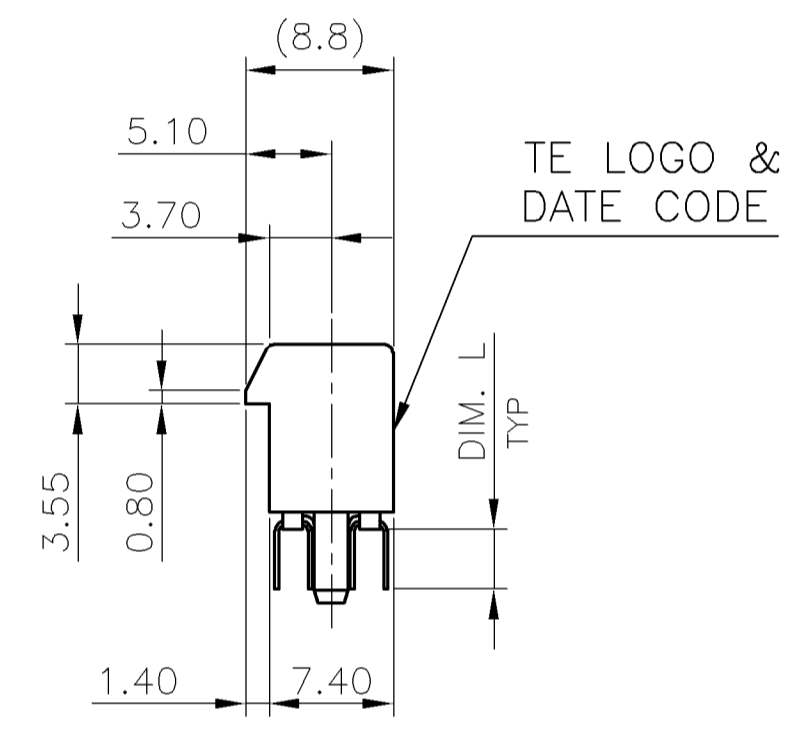
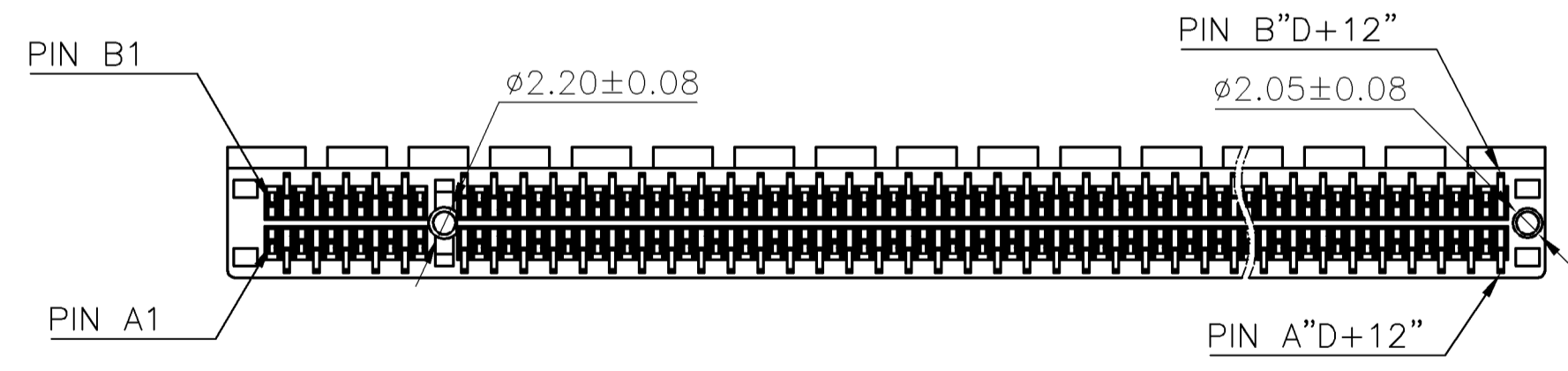
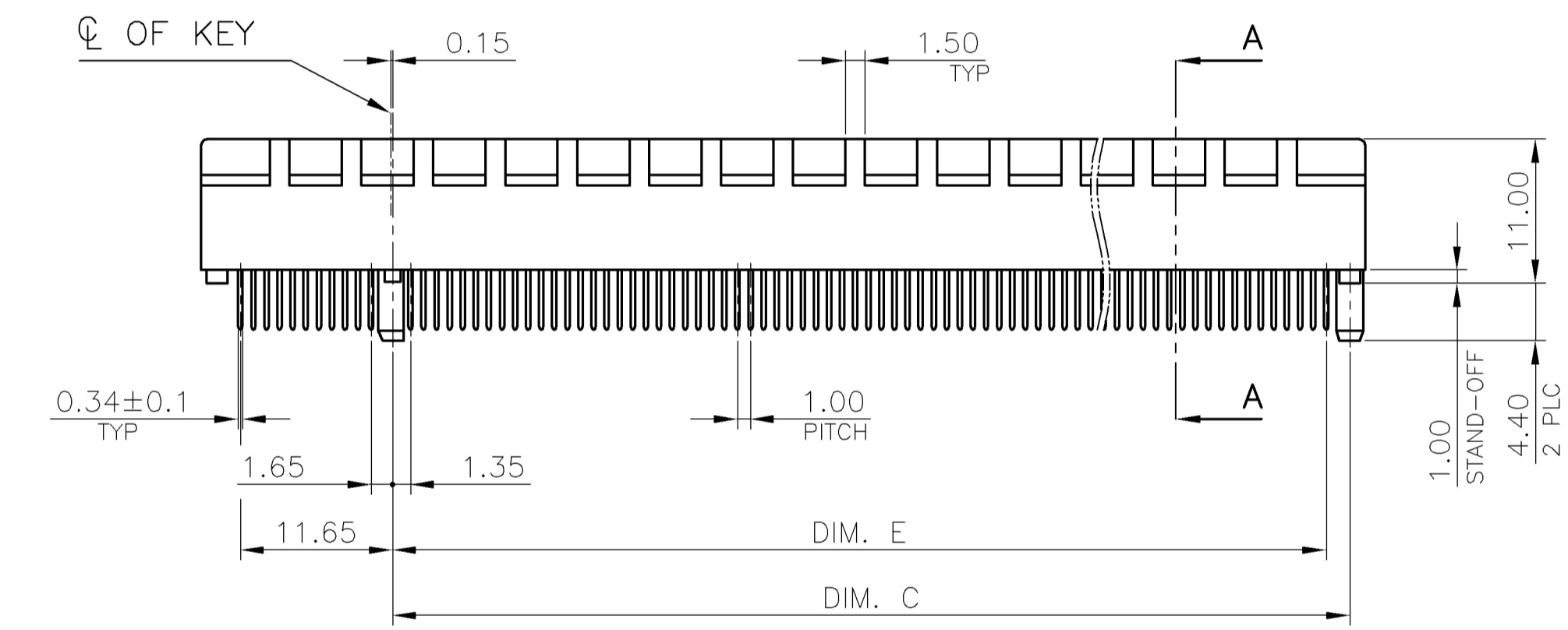
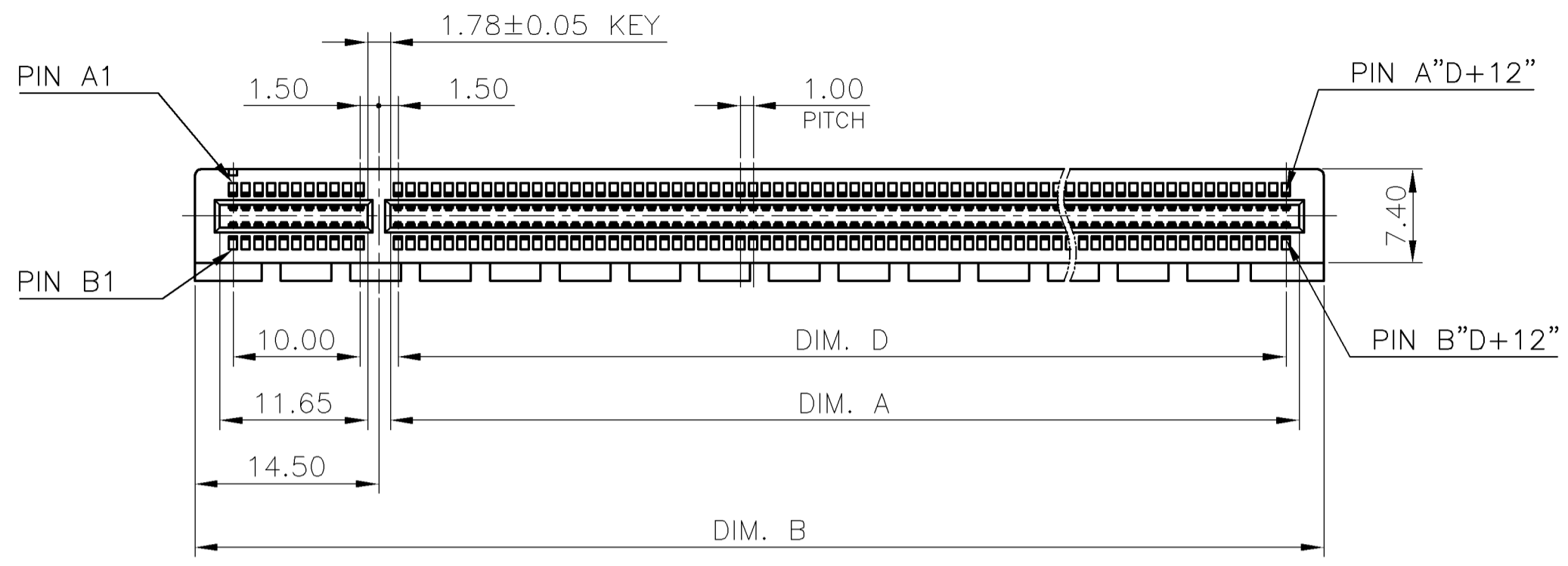
LOC DW	DIST /	REVISIONS		
P	LTR	DESCRIPTION	DATE	DWN APVD
	A1	REVISED (ECR-11-010779)ADD 1-2041354-2 & REVISED	25 MAY 2011	E.L. W.K.

NOTES:

- MATERIAL:
 - HOUSING: PA9T WITH 30% G.F, UL94V-0; COLOR: BLACK
 - CONTACT: PHOSPHOR BRONZE
- FINISH:

CONTACT:

(SEE TABLE) GOLD PLATING ON CONTACT AREA.
 2.54um [100u"] MIN. MATTE-TIN PLATING ON SOLDER TAIL AREA.
 1.27um [50u"] MIN. NICKEL UNDERPLATING OVERALL.
- WAVE SOLDER CAPABLE TO 265°C
 PER TE SPEC. 109-202, CONDITION B.
- DIMENSION "L" IS DIFFERENT FROM PN 1734774-X.



A-A SCALE 1:1

3.90	3.56	21.35	20	23.15	39	21.65	64	0.762um[30u"]	1-2041354-2
8.80		71.35	70	73.15	89	71.65	164	0.381um[15u"]	2041354-4
5.50		38.35	37	40.15	56	38.65	98		2041354-3
WEIGHT (g)	DIM. L	DIM. E	DIM. D	DIM. C	DIM. B	DIM. A	POS.	MIN. GOLD THICKNESS	PART NUMBER

THIS DRAWING IS A CONTROLLED DOCUMENT.

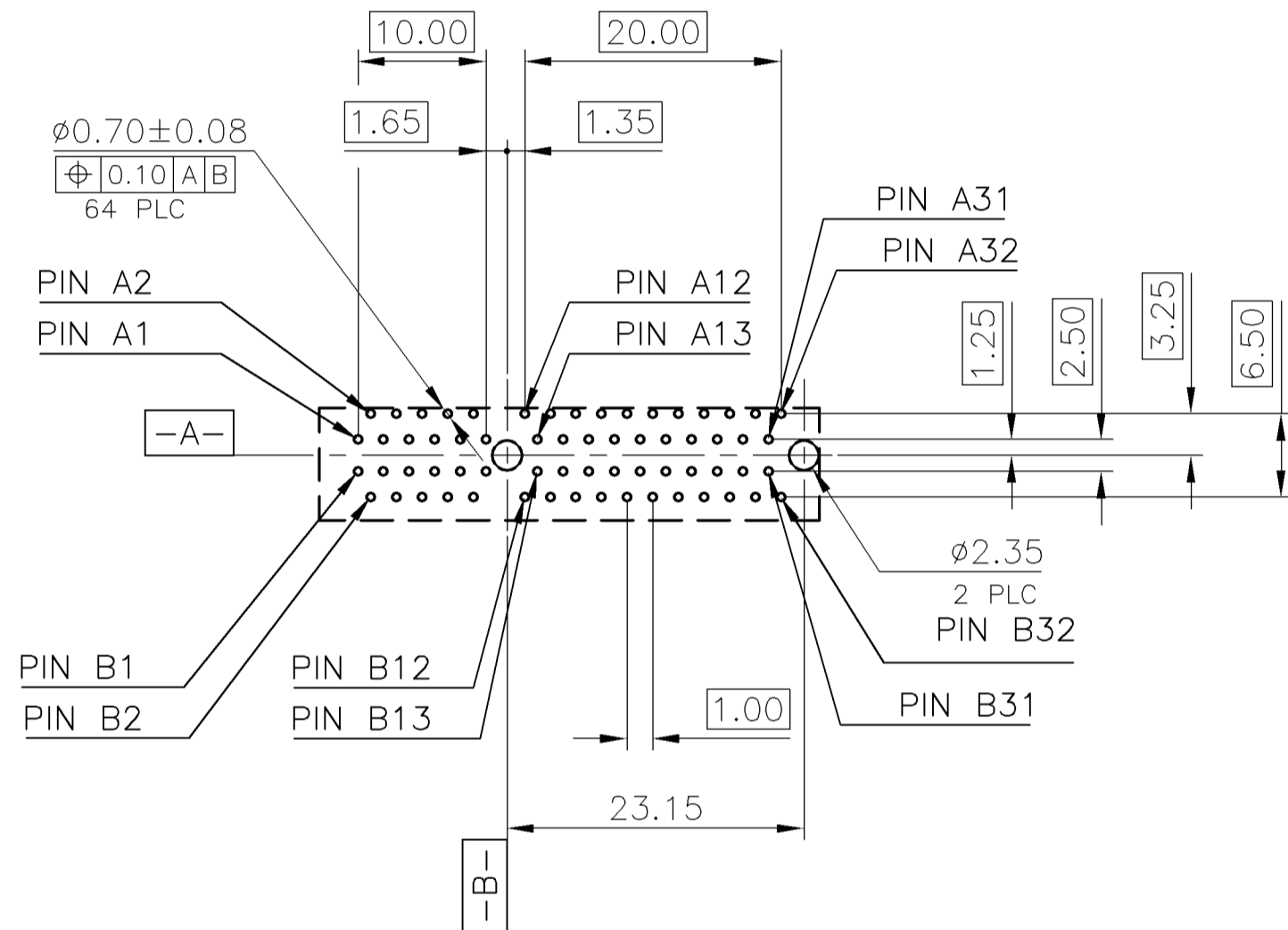
DIMENSIONS: MM	TOLERANCES UNLESS OTHERWISE SPECIFIED:	DWN E. LIU 13JAN2011	<p>TE Connectivity</p> <p>PCI EXPRESS CARD EDGE CONNECTOR VERTICAL, DIP TYPE</p>
	0 PLC ± -	CHK S. CHIEN 13JAN2011	
	1 PLC ± 0.3	APVD W. KODAMA 13JAN2011	
	2 PLC ± 0.2	NAME	
MATERIAL SEE NOTE	FINISH SEE NOTE	PRODUCT SPEC 108-57787	RESTRICTED TO
		APPLICATION SPEC	SIZE A3
		WEIGHT SEE TABLE	CAGE CODE 00779
		CUSTOMER DRAWING	DRAWING NO C=2041354
			SCALE -
			SHEET 1 OF 5
			REV A1

LOC DW	DIST /	REVISIONS		
P	LTR	DESCRIPTION	DATE	DWN APVD
		SEE SHEET 1.		

64POS

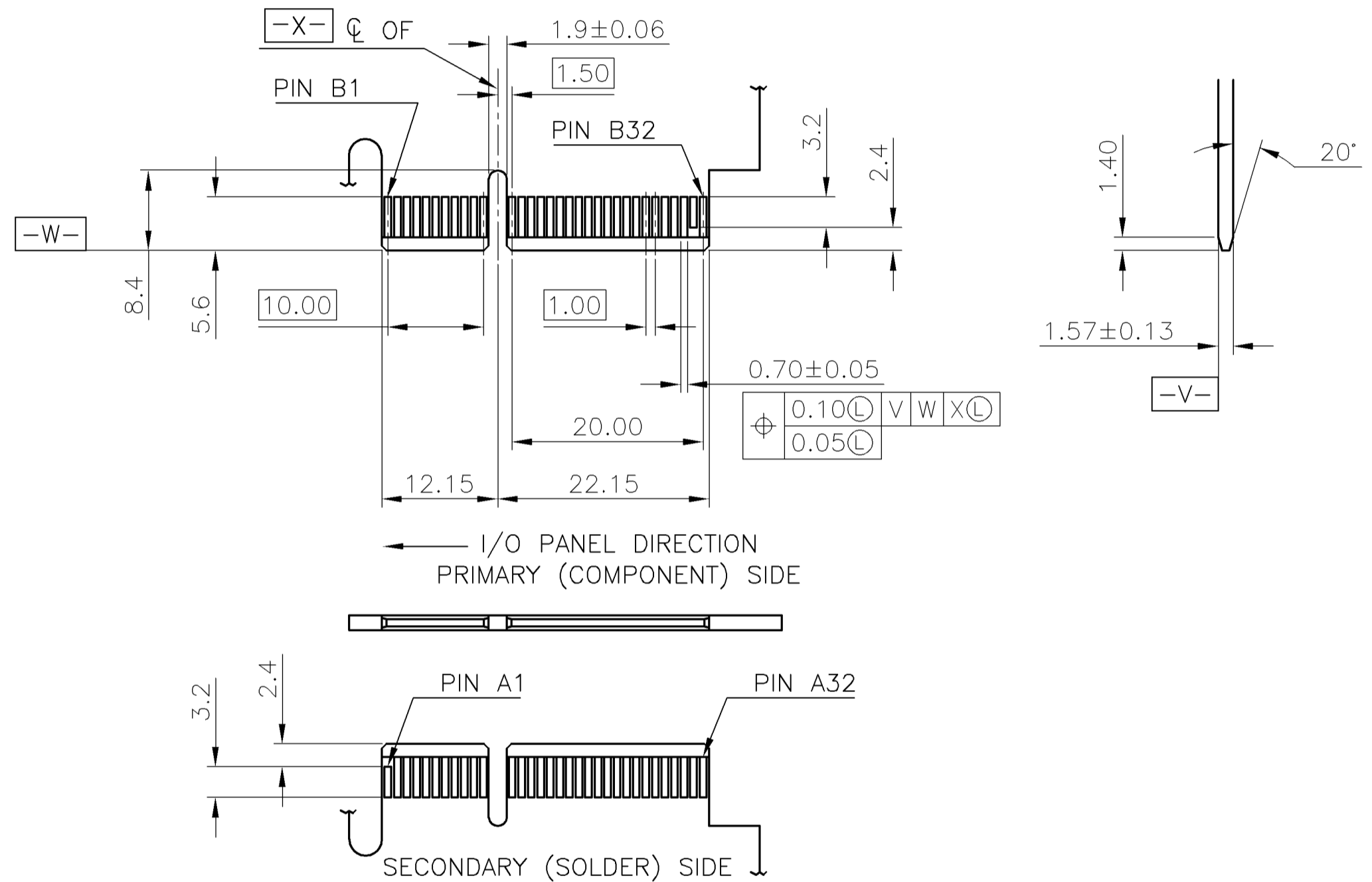
ADD-IN CARD EDGE-FINGER DIMENSIONS

NOTES:
CHAMFER EDGE MUST BE FREE OF CUTTING BURRS



RECOMMENDED PCB LAYOUT

TOLERANCE: ± 0.05
(APPLY TO P.C.B THICKNESS: 2.36mm)



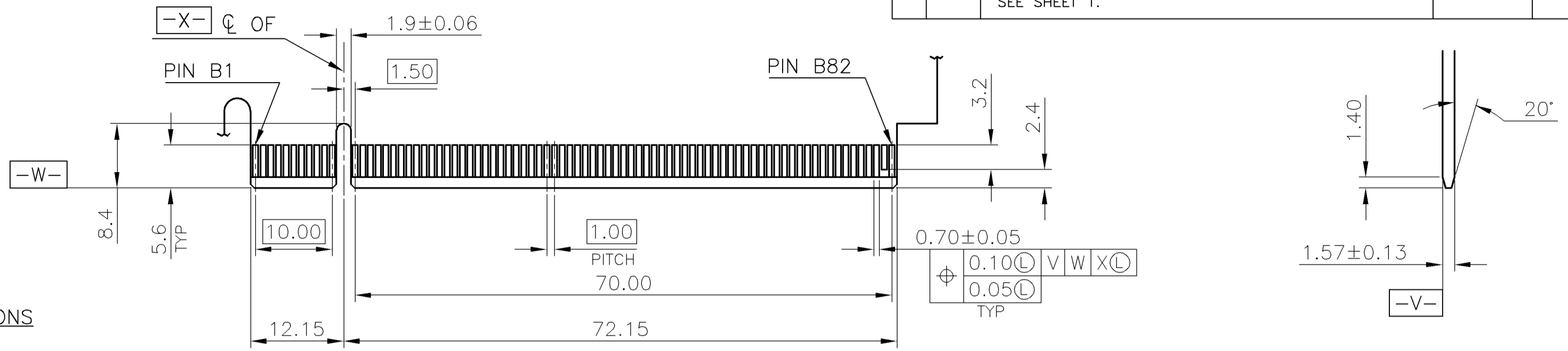
THIS DRAWING IS A CONTROLLED DOCUMENT.		DWN	TE Connectivity		
DIMENSIONS: MM		CHK	NAME		
		APVD	PCI EXPRESS CARD EDGE CONNECTOR VERTICAL, DIP TYPE		
TOLERANCES UNLESS OTHERWISE SPECIFIED:		PRODUCT SPEC	SIZE	CAGE CODE	DRAWING NO
0 PLC	\pm -	APPLICATION SPEC	A3	00779	C=2041354
1 PLC	± 0.3	WEIGHT	RESTRICTED TO		
2 PLC	± 0.2	CUSTOMER DRAWING	SCALE	SHEET	REV
3 PLC	± 0.15		-	2 OF 5	A1
4 PLC	\pm -				
ANGLES	$\pm 3^\circ$				
MATERIAL	FINISH				

LOC DW DIST

REVISIONS

P	LTR	DESCRIPTION	DATE	DWN	APVD
		SEE SHEET 1.			

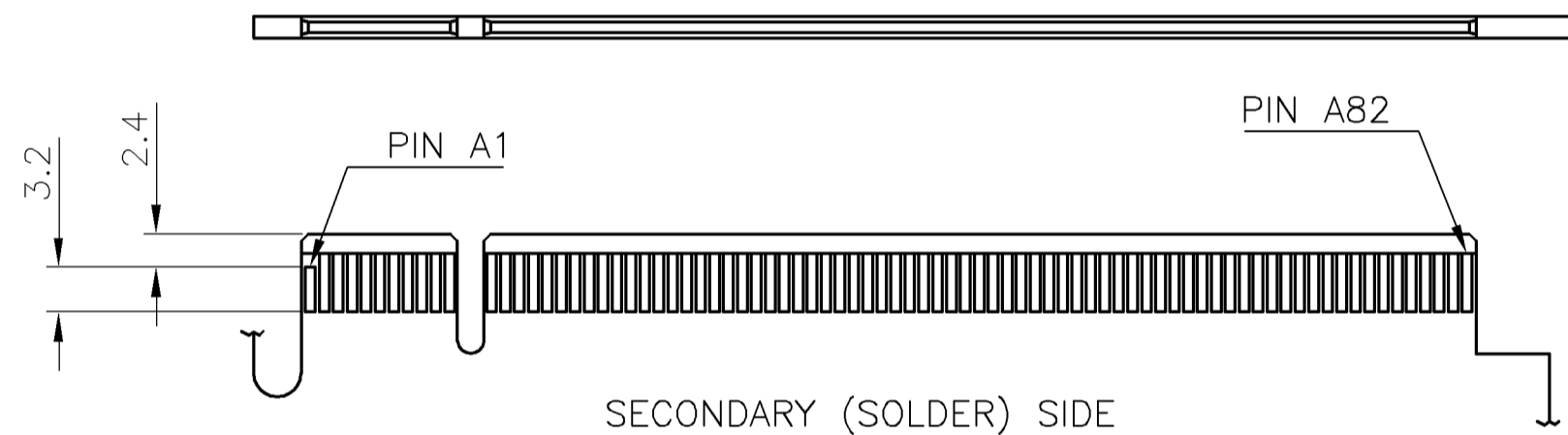
164POS



ADD-IN CARD EDGE-FINGER DIMENSIONS

NOTES: CHAMFER EDGE MUST BE FREE OF CUTTING BURRS

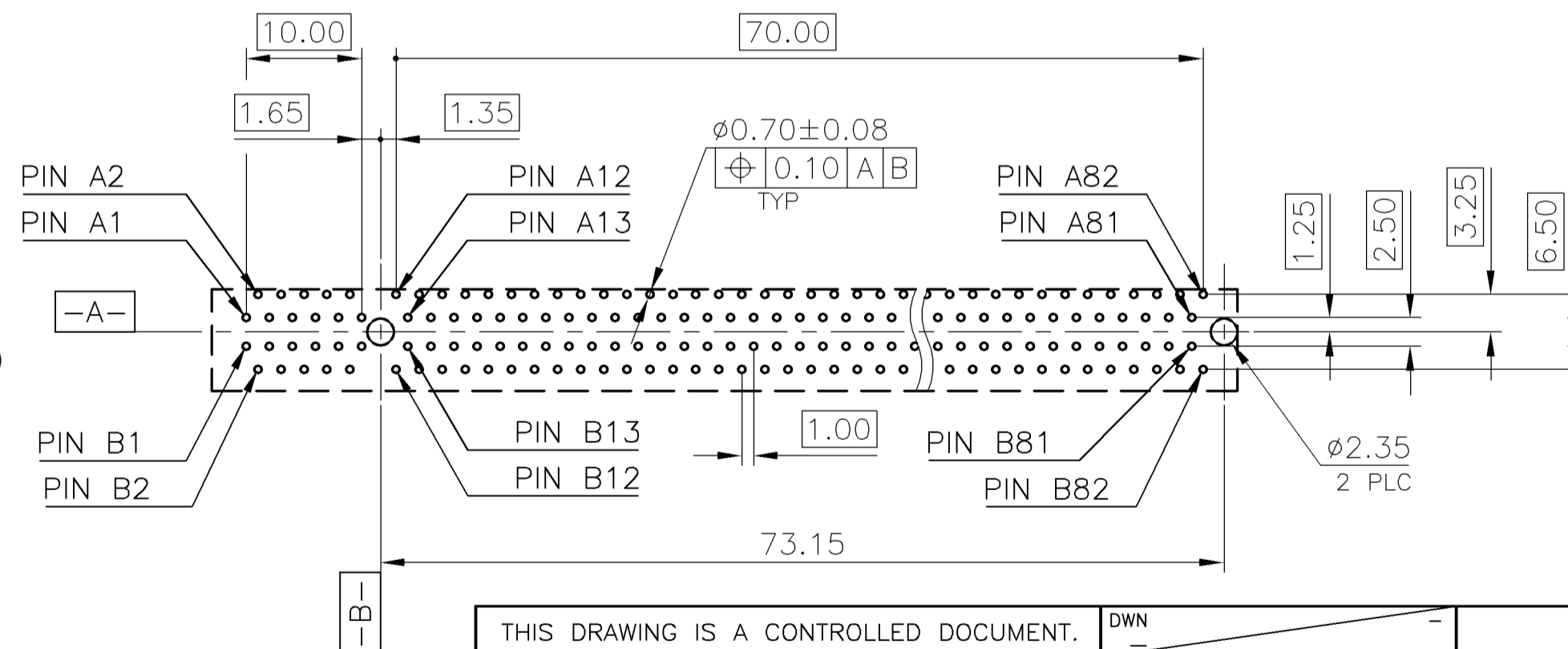
I/O PANEL DIRECTION PRIMARY (COMPONENT) SIDE



SECONDARY (SOLDER) SIDE

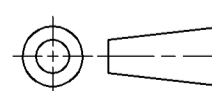
RECOMMENDED PCB LAYOUT

TOLERANCE: ±0.05 (APPLY TO P.C.B THICKNESS: 2.36mm)



THIS DRAWING IS A CONTROLLED DOCUMENT.

DIMENSIONS:	TOLERANCES UNLESS OTHERWISE SPECIFIED:
MM	
0 PLC	± -
1 PLC	± 0.3
2 PLC	± 0.2
3 PLC	± 0.15
4 PLC	± -
ANGLES	± 3°
MATERIAL	FINISH



DWN	-
CHK	-
APVD	-
PRODUCT SPEC	-
APPLICATION SPEC	-
WEIGHT	-
CUSTOMER DRAWING	-

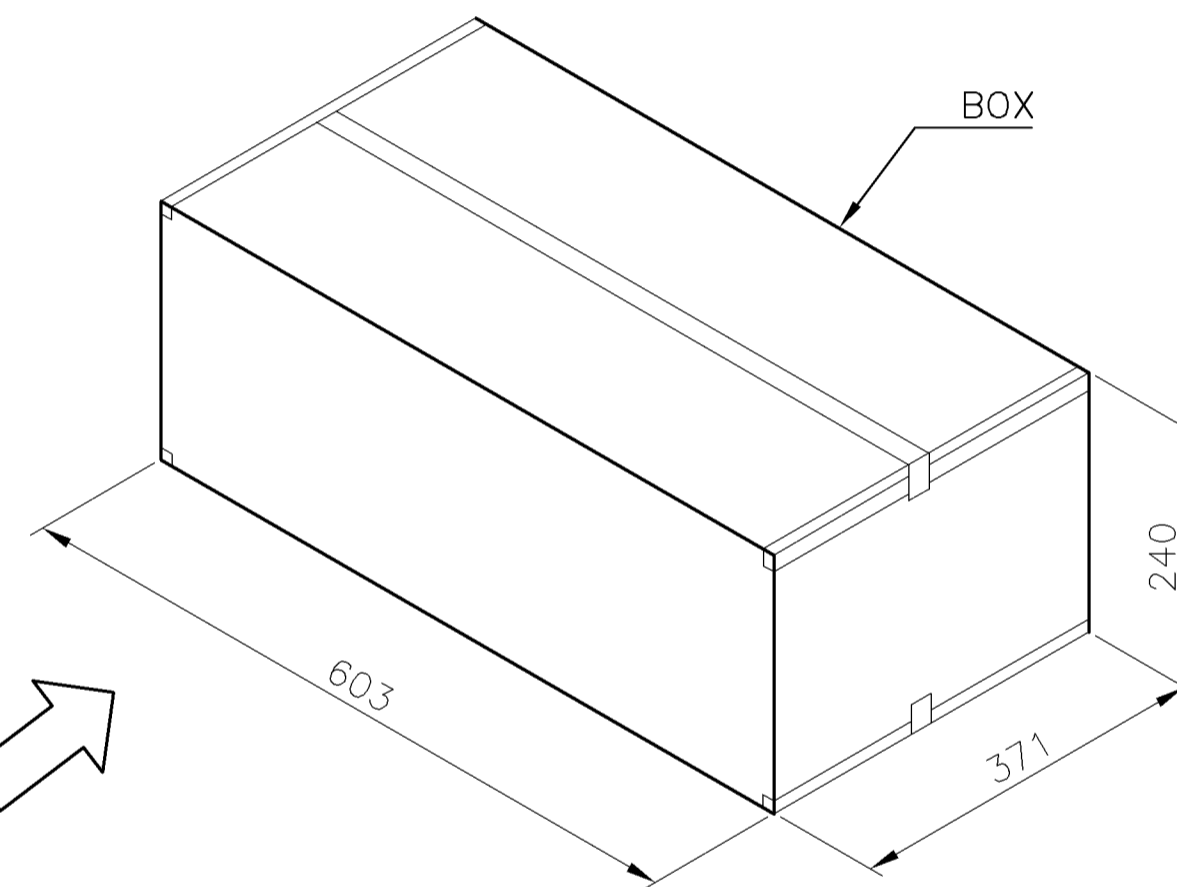
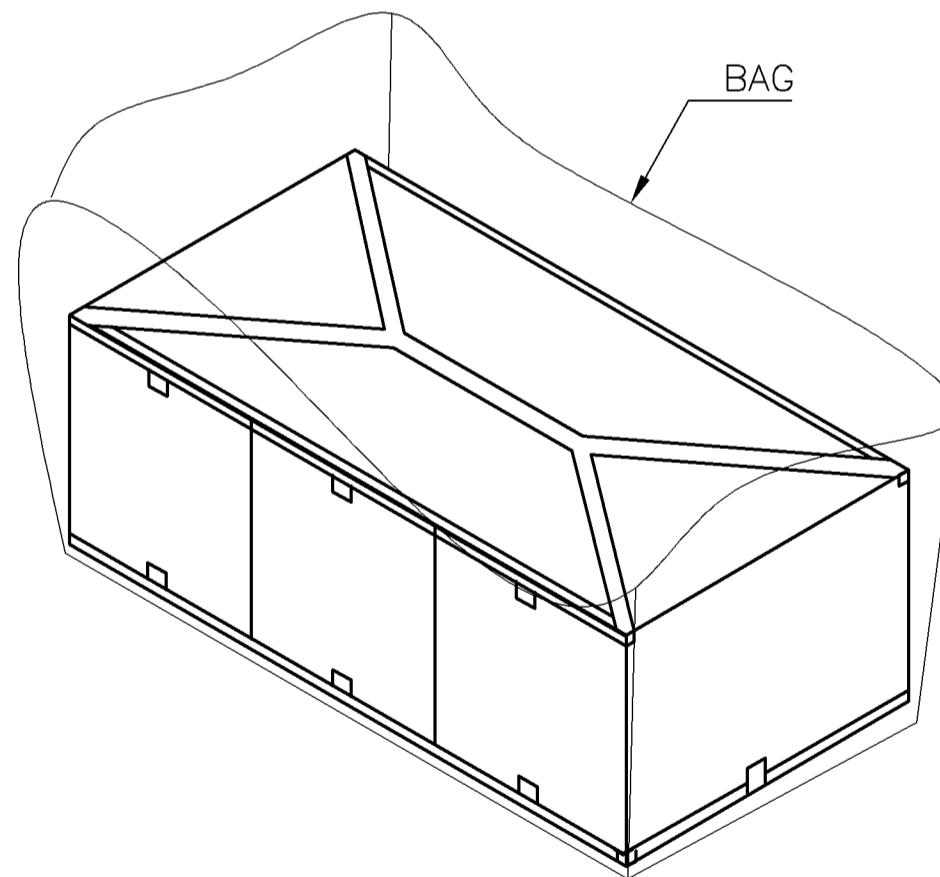
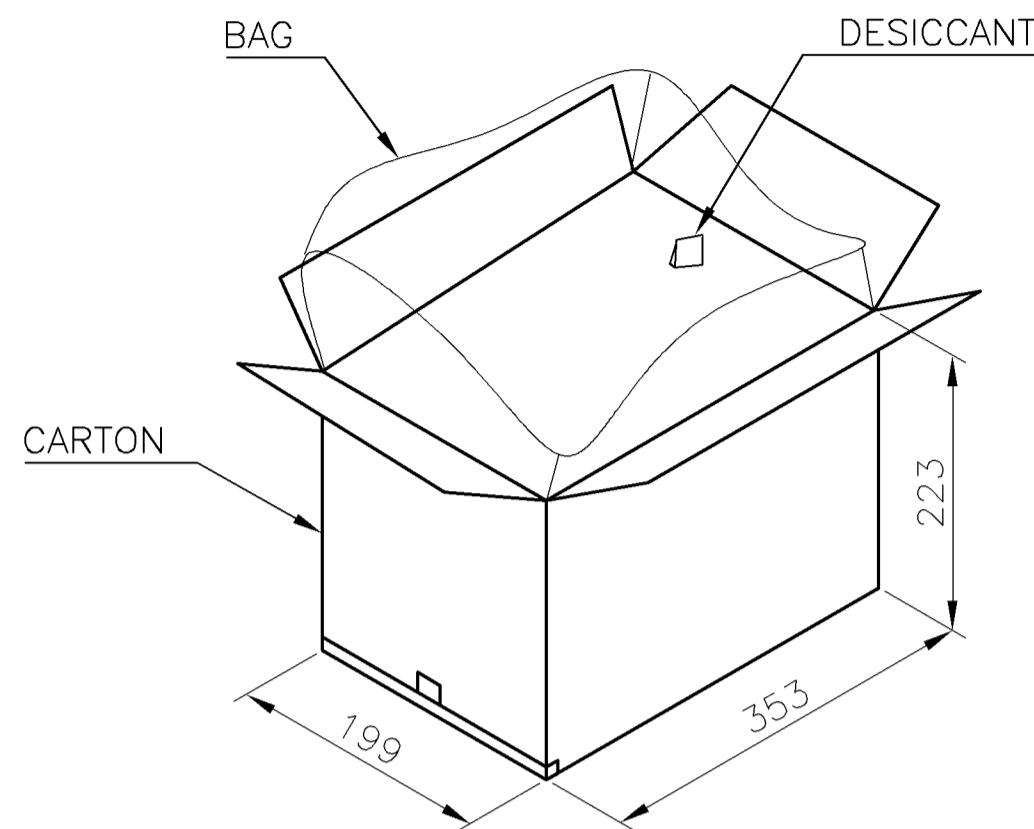
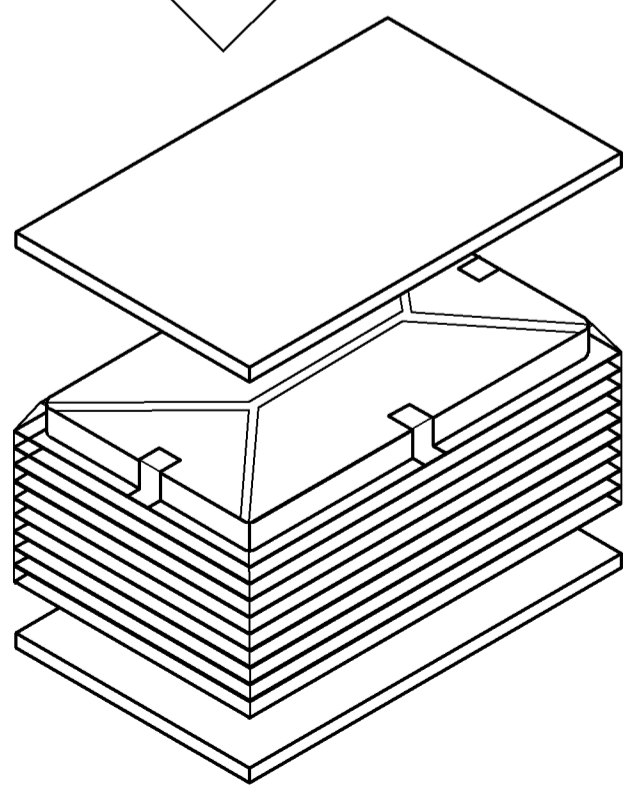
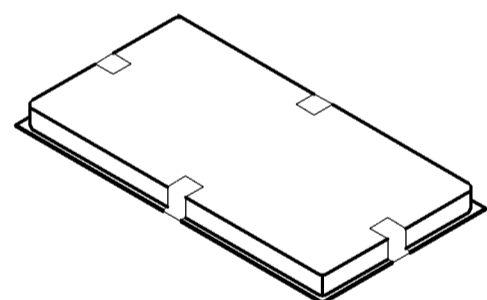
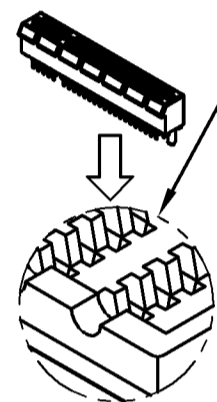
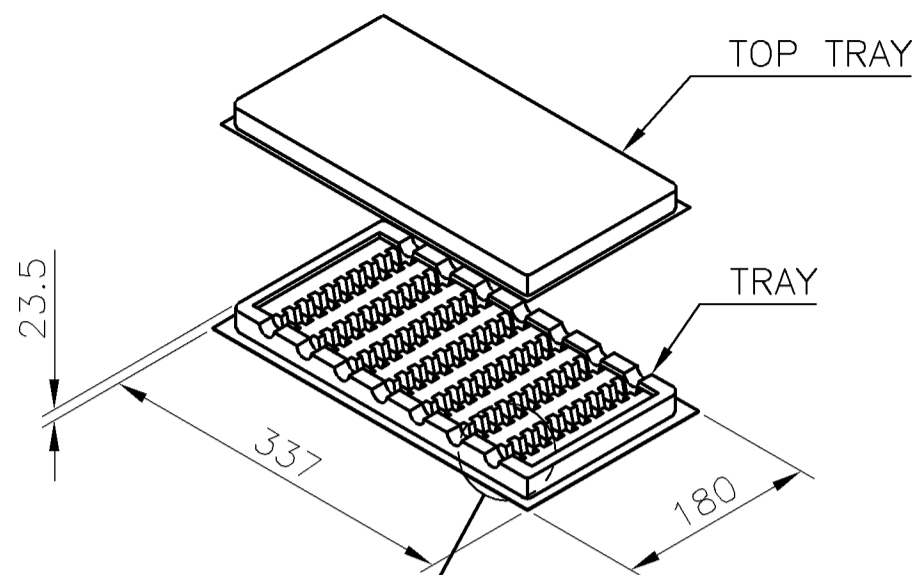


PCI EXPRESS CARD EDGE CONNECTOR VERTICAL, DIP TYPE

NAME	SIZE	CAGE CODE	DRAWING NO	RESTRICTED TO
	A3	00779	C=2041354	-

SCALE	SHEET	REV
-	4 OF 5	A1

P	LTR	DESCRIPTION	DATE	DWN	APVD
		SEE SHEET 1.			



NOTES :

- MATERIAL :
TRAY : PVC, COLOR: TRANSPARENT.
CARTON: CORRUGATED FIBER
BOX: CORRUGATED FIBER
- DIMENSION :
TRAY: SEE DRAWING
CARTON: SEE DRAWING
BOX : SEE DRAWING
- QUANTITY : SEE TABLE
- WEIGHT : SEE TABLE

10.2 Kg	8.2 Kg	30	10	3	900	164
9.0 Kg	7.0 Kg	40	10	3	1200	98
8.5 Kg	6.5 Kg	60	10	3	1800	64
GROSS WEIGHT	NET WEIGHT	PCS/ TRAY	TRAY/ CARTON	CARTON/ BOX	PCS/ BOX	POS.

THIS DRAWING IS A CONTROLLED DOCUMENT.

DIMENSIONS: MM	TOLERANCES UNLESS OTHERWISE SPECIFIED: 0 PLC ± - 1 PLC ± 0.3 2 PLC ± 0.2 3 PLC ± 0.15 4 PLC ± - ANGLES ± 3°	DWN - CHK - APVD - PRODUCT SPEC - APPLICATION SPEC - WEIGHT -	TE Connectivity NAME PCI EXPRESS CARD EDGE CONNECTOR VERTICAL, DIP TYPE			
MATERIAL	FINISH	CUSTOMER DRAWING	SIZE A3	CAGE CODE 00779	DRAWING NO C=2041354	RESTRICTED TO -
			SCALE -	SHEET 5 OF 5	REV A1	