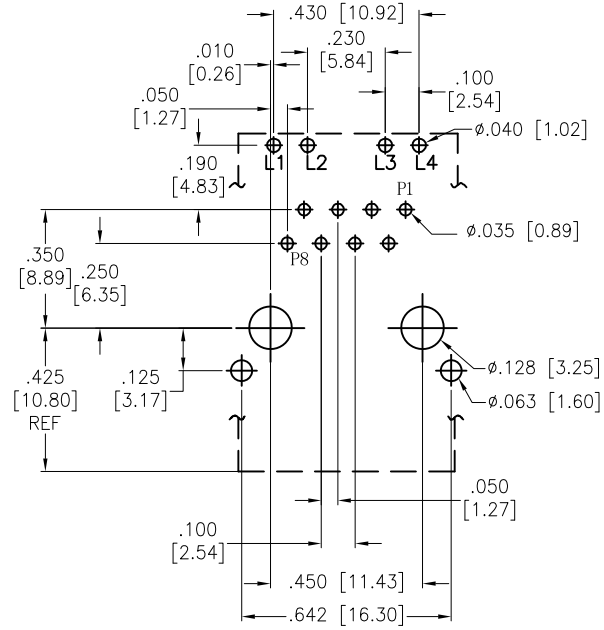
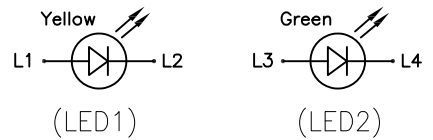
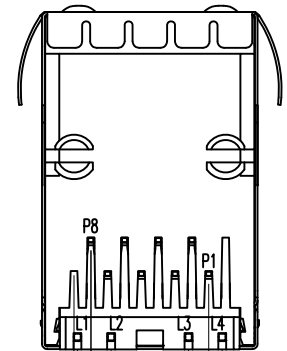
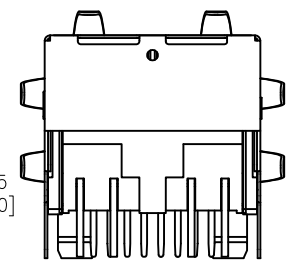
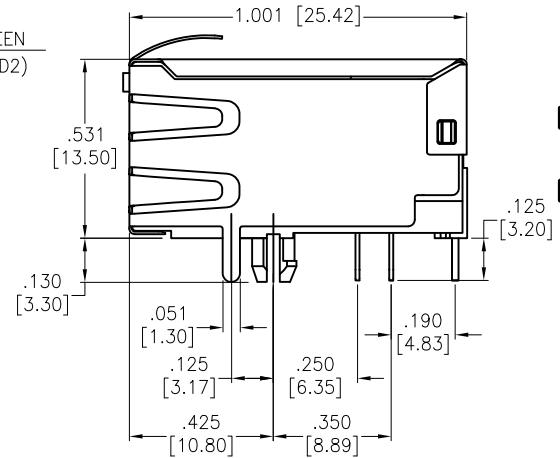
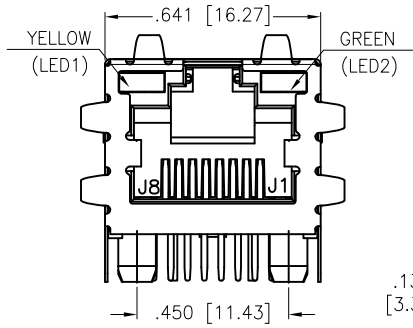
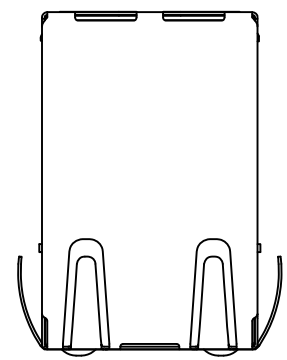


APPROVED: _____
 DATE: _____ TITLE: _____

Rev	AWO #	Description	Date	Appr
-		RELEASED	4/22/14	
A		UPDATE DRAWING	6/5/23	WX/MC



RECOMMENDED PCB LAYOUT



Emitting Color	λp (nm)	Vf @If=20mA	Ir @Vr=5V
Green	565	1.7V~2.6V	10μA max.
Yellow	585	1.7V~2.6V	10μA max.

SPECIFICATIONS:

- Material:
- Housing: Thermoplastic, rated UL 94V-0
- Housing color: Black
- Module case: Thermoplastic, rated UL 94V-0, Color: Black
- Contacts: Phosphor Bronze
- Solder Tail terminal: Brass, Tin plated
- Shield: Stainless, pre-soldering
- Plating:
- Round contact
- Gold over Nickel underplate overall
- Flat contact
- Gold over Nickel underplate on contact area
- Tin over Nickel underplate on solder tails
- Electrical:
- Insulation resistance: 500 Mohms min
- Dielectric withstanding voltage: 1500VAC or 2250VDC for 1 minute
- Temperature Rating:
- Operating temperature: 0°C to +70°C
- Environmental:
- Lead free, RoHS compliant.



UNLESS OTHERWISE SPECIFIED ALL DIMENSIONS ARE INCHES [MM]. TOLERANCES: EXCEPT AS NOTED

INCHES		HOLES	
.X	±.10	ØX	±.10
.XX	±.020	ØXX	±.015
.XXX	±.015	ØXXX	±.010

DRAWN	AY	4/22/14
CHECKED	NP	4/22/14
APPROVED		

THIS DRAWING CONTAINS INFORMATION THAT IS PROPRIETARY AND SHOULD NOT BE USED WITHOUT PRIOR WRITTEN PERMISSION FROM ADAM TECH

ADAM TECH 909 Rahway Avenue, Union, NJ 07083
 Phone: 908-687-5000
 Fax: 908-687-5710

TITLE: MODULAR TELEPHONE JACK, 1 PORT, 8P8C W/ LED1 YELLOW & LED2 GREEN

SIZE	PART NO.	REV.
X	MTJ-88SX1-FSP-PG-LG-M7Y	A

REF: S00101C SCALE: NTS SHEET 1 OF 2

6

5

4

3

2

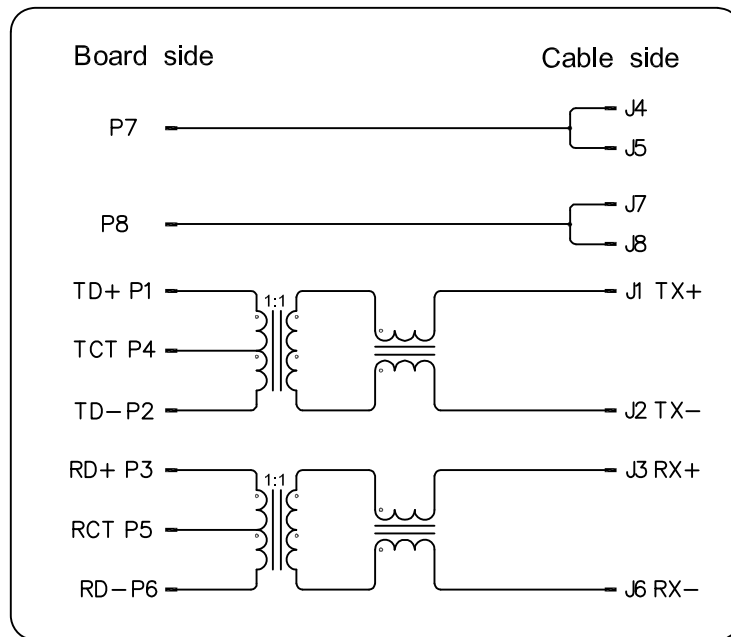
1

APPROVED: _____

DATE: _____ TITLE: _____

Rev	AWO #	Description	Date	Appr
-----	-------	-------------	------	------

SEE SHT 1 OF 2 FOR REVISION



ELECTRICAL CHARACTERISTICS :

- INSERTION LOSS :
- 1~100 MHz -1.0dB MAX.
- RETURN LOSS(LOAD 100Ω) :
- 1~30 MHz -18dB MIN
- 30~60 MHz -16dB MIN
- 60~80 MHz -12dB MIN
- COMMON MODE REJECTION
- 1~100 MHz -30dB MIN
- CROSS TALK
- 1~100 MHz -30dB MIN
- INDUCTANCE @ 100KHz, 0.1V, 8mA DC BIAS
- (P1-P2),(P3-P6) : 350 uH MIN
- HI-POT TEST
- PCB SIDE TO CABLE SIDE : 1500VAC 60S OR 2250VDC 60S
- TURNS RATION 100KHz
- (P1-P2) : (J1-J2) = 1:1 ±%5
- (P3-P6) : (J3-J6) = 1:1 ±%5

UNLESS OTHERWISE SPECIFIED ALL DIMENSIONS ARE INCHES [MM]. TOLERANCES: EXCEPT AS NOTED		
INCHES	HOLES	
.X ± .10	ØX	±.10
.XX ± .020	ØXX	±.015
.XXX ± .015	ØXXX	±.010
DRAWN	AY	4/22/14
CHECKED	NP	4/22/14
APPROVED		
THIS DRAWING CONTAINS INFORMATION THAT IS PROPRIETARY AND SHOULD NOT BE USED WITHOUT PRIOR WRITTEN PERMISSION FROM ADAM TECH		

ADAM TECH 909 Rahway Avenue,
Union, NJ 07083
Phone: 908-687-5000
Fax: 908-687-5710

TITLE	MODULAR TELEPHONE JACK, 1 PORT, 8P8C W/ LED1 YELLOW & LED2 GREEN		
SIZE	PART NO.	REV.	
X	MTJ-88SX1-FSP-PG-LG-M7Y	A	
REF:	S00101C	SCALE:	NTS SHEET 2 OF 2

6

5

4

3

2

1