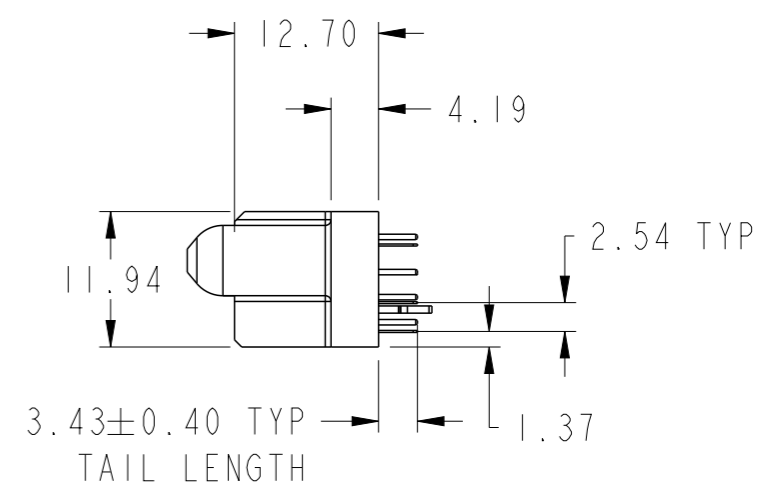
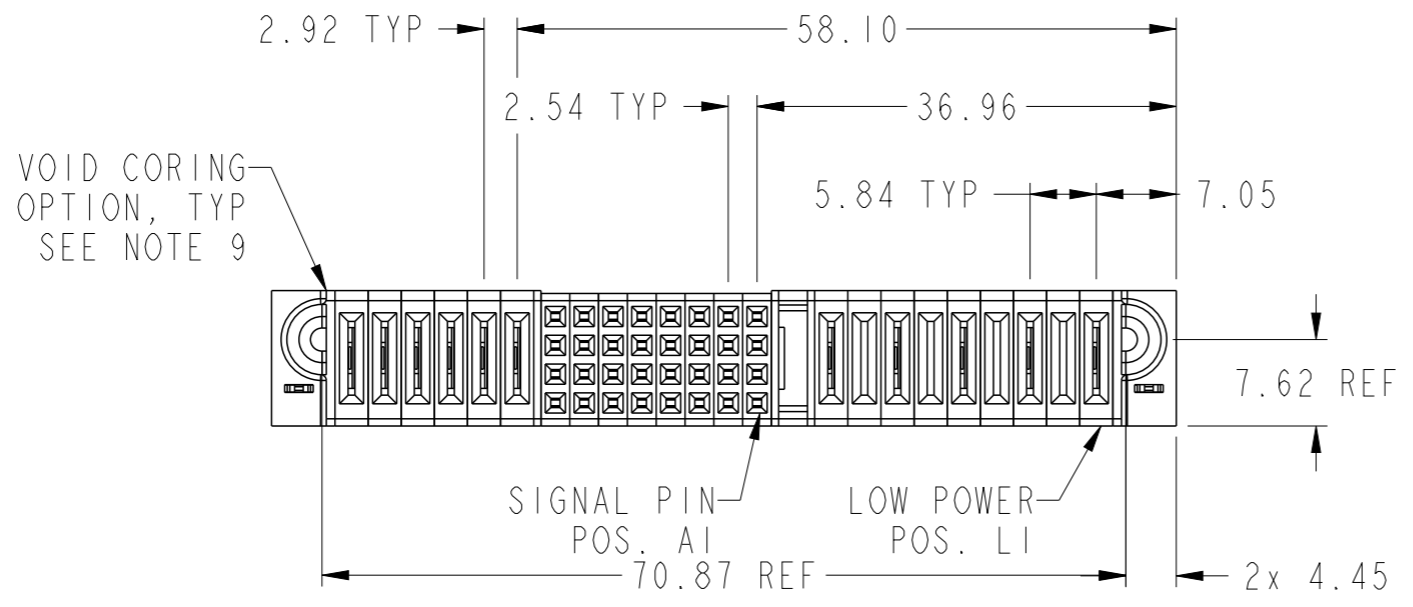
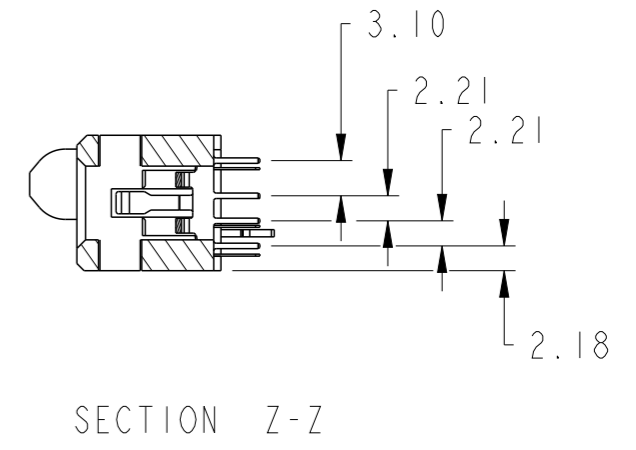
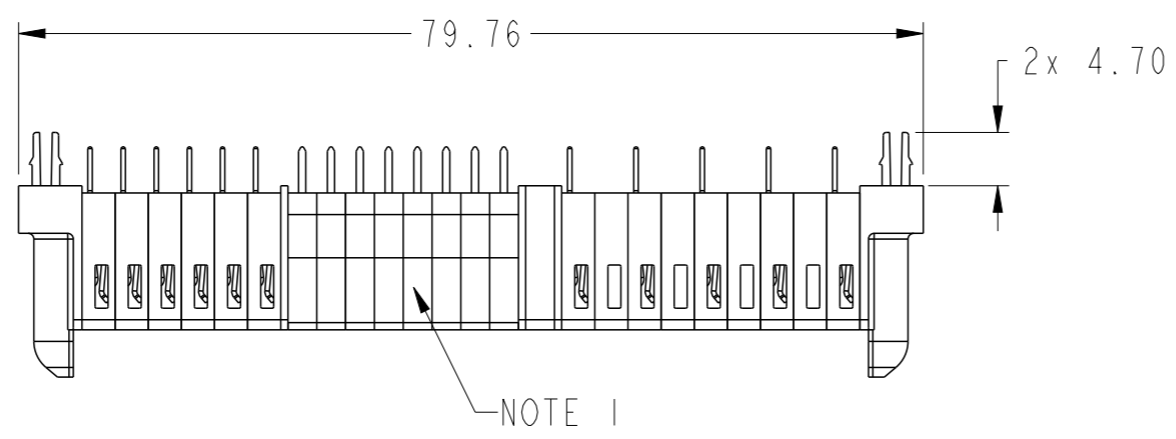
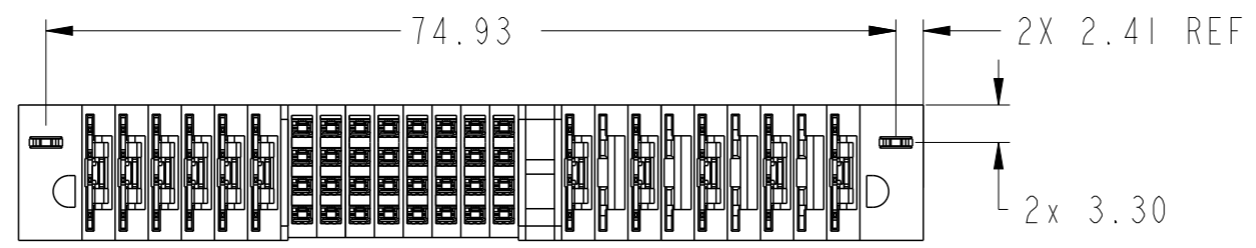


PRODUCT NUMBER SEE SHEET 2



Amphenol
FCi

© 2016 AFCI

spec ref		dr	Zhan Rainbow	2017/06/01	projection	MM	size	A3	scale	3:2
tolerance std		eng	Zhan Rainbow	2017/06/07			ecn no		-	
ISO 406 ISO 1101		chr	Fancy Zhang	2017/06/07			rel level		Released	
TOLERANCES UNLESS OTHERWISE SPECIFIED		appr	Pei-Ming Zheng	2017/06/07	product family		PowerBlade+			
surface	linear	0.X		±0.50	Amphenol FCI 9LP + 32S + 6LP VT STB RECEPTACLE www.fci.com	cat. no.	Product - Customer Drw		sheet 1 of 3	
		0.XX		±0.25			dwg no 10106268-0F08001	rev A		
	0.XXX		±0.10							
ISO 1302	angular	0°		±2°						

A

B

C

D

A

B

C

D

NOTES:

- 1) PRODUCT MARK:
PART NUMBER AND DATE CODE TO BE MARKED ON THIS SURFACE .
THE MARK CAN BE OMITTED IF THERE IS NOT ENOUGH SPACE ON THIS SURFACE.
- 2) MATERIALS:
-HOUSING : HIGH TEMP THERMOPLASTIC WITH GLASS FIBER, UL94V-0, BLACK.
-POWER CONTACT : HIGH CONDUCTIVITY COPPER ALLOY.
-SIGNAL CONTACT : COPPER ALLOY.
- 3) PLATING SPECIFICATION : 10116351
- 4) DENOTES CONNECTOR KEEP OUT ZONE.
- 5) DATUM AND BASIC DIMENIONS ARE ESTABLISHED BY CUSTOMER.
- 6) ALL HOLE DIAMETERS ARE FINISHED HOLE SIZES.
- 7) 1.15+/-0.025MM DRILLED HOLE PLATED WITH 0.00762MM MIN SN
OVER 0.0254-0.0762MM CU PLATING TO ACHIEVE A 1.02+/-0.07MM HOLE.
- 8) THE HOUSING WILL WITHSTAND EXPOSURE TO 265 °C PEAK TEMPERATURE
FOR 10 SECONDS IN A WAVE SOLDER APPLICATION.
- 9) THE VOID CORING IN BETWEEN POWER MODULES, SIGNAL MODULES AND
END MODULES ARE OPTIONAL AND THE SHAPE MAY BE DIFFERENT FOR
OPTIMIZE THE MOLDING PROCESS. THE VOID CORING WILL NOT EFFECT
TO PRODUCT FUNCTION.
- 10) THIS PRODUCT MEETS EUROPEAN UNION DIRECTIVES AND OTHER COUNTRY
REGULATIONS AS DESCRIBED IN GS-47-0004.
- 11) PRODUCT SPECIFICATION : GS-12-658.
APPLICATION SPECIFICATION : GS-20-141.
PRODUCT PACKAGE SPECIFICATION: GS-14-1502.

Amphenol
FCi

© 2016 AFCI

spec ref		dr	Zhan Rainbow	2017/06/01	projection 	MM ←————→	size	A3	scale	1:1		
tolerance std		eng	Zhan Rainbow	2017/06/07			ecn no	-				
ISO 406 ISO 1101		chr	Fancy Zhang	2017/06/07			rel level	Released				
surface		appr	Pei-Ming Zheng	2017/06/07	product family	PowerBlade+	dwg no		10106268-0F08001	rev	A	
ISO 1302		TOLERANCES UNLESS OTHERWISE SPECIFIED		Amphenol FCi		9LP + 32S + 6LP		www.fci.com		cat. no.	Product - Customer Drw	sheet 3 of 3
linear		0.X	±0.50	VT STB RECEPTACLE		Product - Customer Drw		STATUS:Released		Printed: Jun 07, 2017		
angular		0°	±2°									