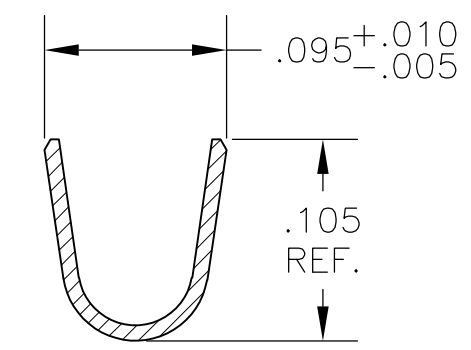
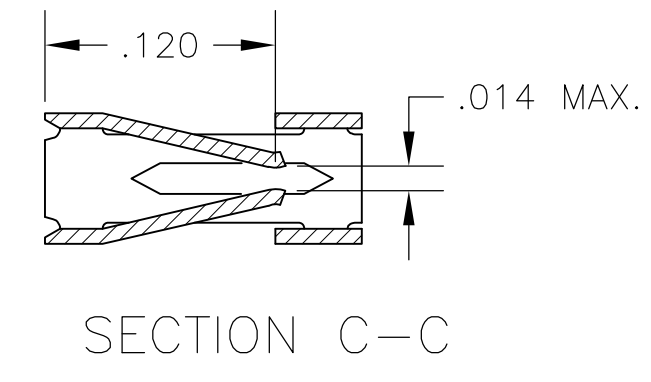
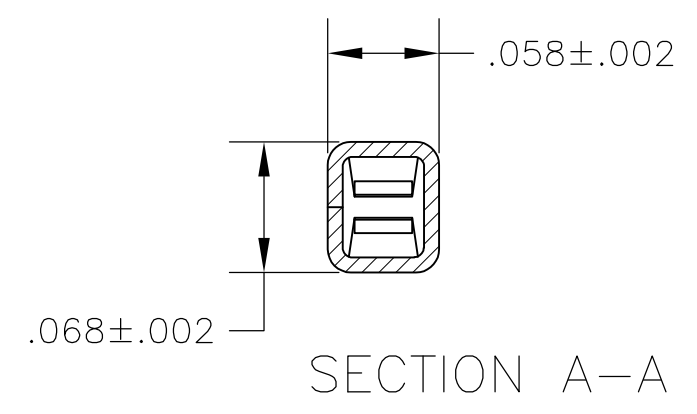
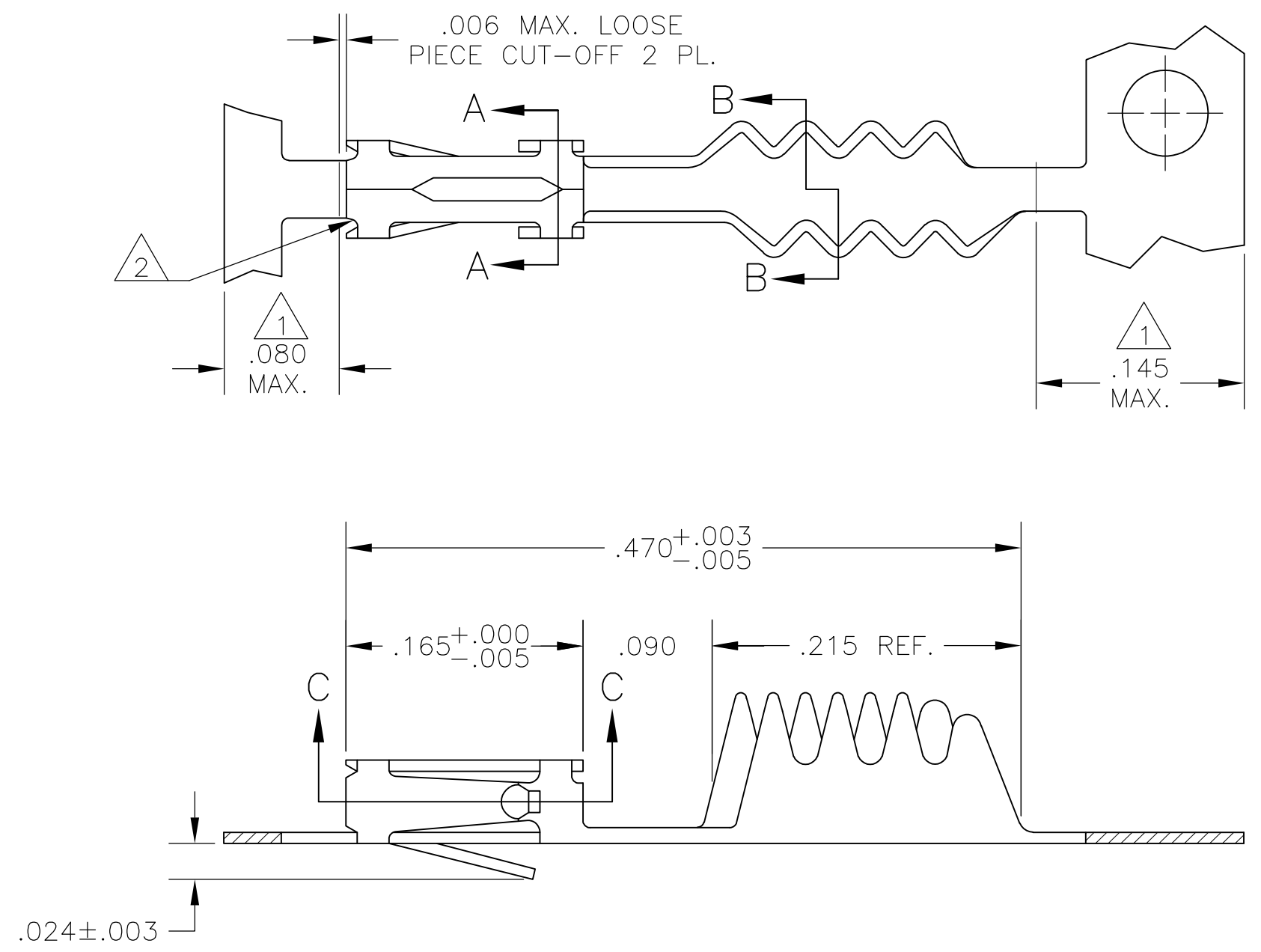


THIS DRAWING IS UNPUBLISHED. RELEASED FOR PUBLICATION
 © COPYRIGHT - By - ALL RIGHTS RESERVED.

REVISIONS				
P	LTR	DESCRIPTION	DATE	APVD
L		REVISED PER ECO-15-012503	02MAR2016	NK JO



INSULATION RANGE .055 MAX.

SECTION B-B

- 1 GOLD PLATING IS NOT REQUIRED IN THIS AREA.
- 2 CUT-OUTS ON THE BOX ARE AT MANUFACTURERS OPTION.
- 3 THIS TERMINAL IS REELED FOR THE STANDARD APPLICATOR.
- 4 THIS TERMINAL IS REELED FOR THE MINI APPLICATOR.
- 5 .000030 GOLD OVER .000050 NICKEL.
- 6 .000030 GOLD ON THE CONTACT AREA, GOLD FLASH ON THE REMAINDER ALL OVER .000050 NICKEL.
- 7 PREPLATED:(HALT).000078-.000158 BRIGHT TIN
- 8 POINT OF MEASUREMENT FOR PLATING THICKNESS (INSIDE BEAMS).
- 9 OBSOLETE PART NO.

87107-3	4	7	102348-3	87107-6
87107-8	4	6	102348-2	87107-5
87107-8	3	6	102348-2	
9 87107-7	4	5	102348-1	9 87107-2
9 87107-7	3	5	102348-1	
IN-PROCESS PART NUMBER	REMARKS	FINISH	LOOSE PIECE PART NUMBER	PART NUMBER

THIS DRAWING IS A CONTROLLED DOCUMENT.		DWN L D RINGLY 12-10-85		
DIMENSIONS: INCHES		CHK J L GESFORD 12-16-85		
TOLERANCES UNLESS OTHERWISE SPECIFIED:		APVD J L GESFORD 12-16-85	NAME CONTACT, MOD IV, RECEPTACLE, CRIMP SNAP-IN	
0 PLC ± -		PRODUCT SPEC 108-25,020	SIZE A2	
1 PLC ± -		APPLICATION SPEC 114-25,003	CAGE CODE 00779	DRAWING NO C=87107
2 PLC ± -		MATERIAL COPPER ALLOY, .008 THICK	WEIGHT -	RESTRICTED TO -
3 PLC ± .005		FINISH SEE TABLE	SCALE 10:1	SHEET 1 of 1
4 PLC ± -			CUSTOMER DRAWING	REV L
ANGLES ± -				