

280365 ✓ ACTIVE

AMPMODU | AMPMODU IV/V

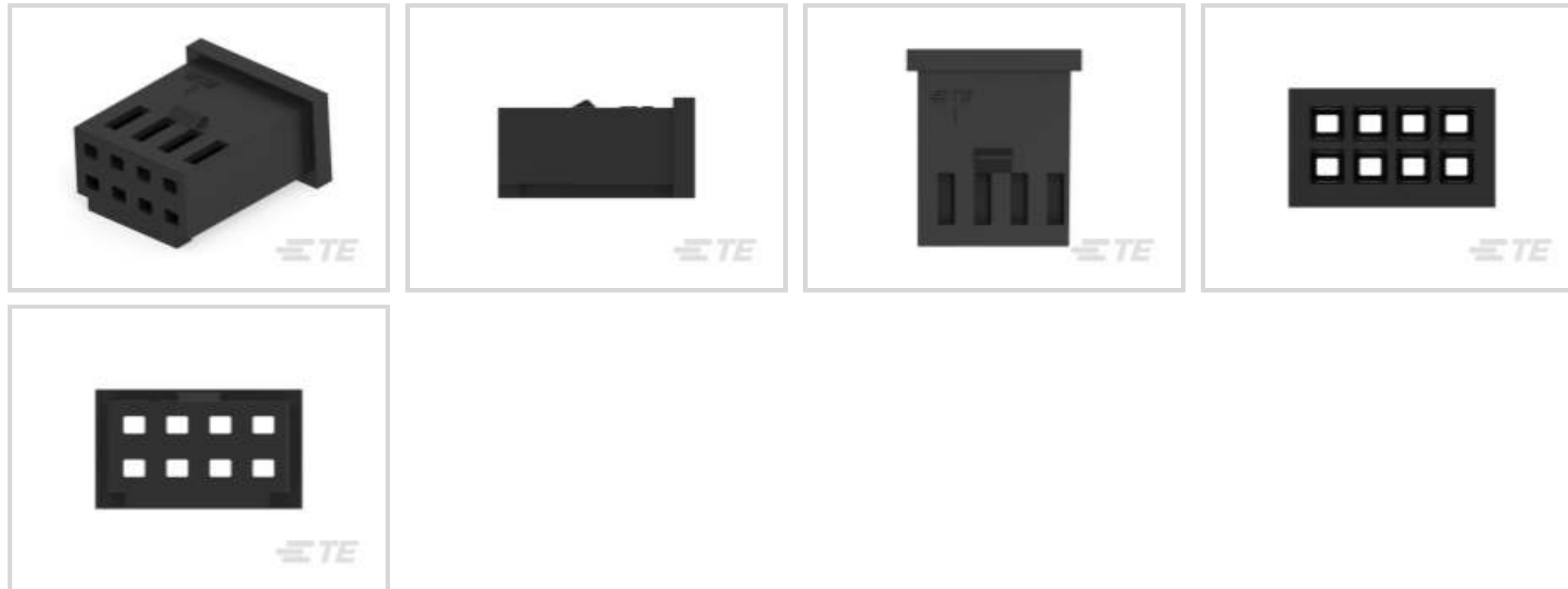
TE Internal #: 280365

Housing, Receptacle, Wire-to-Board, 8 Position, .1 in [2.54 mm]
Centerline, Crimp, 2 Row, Black, Mating Retention, Wire & Cable,
Signal, AMPMODU IV/V

[View on TE.com >](#)



Connectors > PCB Connectors > Wire-to-Board Connectors > Wire-to-Board Connector Assemblies & Housings



Connector Product Type: **Housing**

Connector & Housing Type: **Receptacle**

Connector System: **Wire-to-Board**

Number of Positions: **8**

Centerline (Pitch): **2.54 mm [.1 in]**

Features

Product Type Features

| | |
|-----------------------------------|---------------|
| Connector Product Type | Housing |
| Connector & Housing Type | Receptacle |
| Connector System | Wire-to-Board |
| Connector & Contact Terminates To | Wire & Cable |

Configuration Features

| | |
|---------------------|---|
| Number of Positions | 8 |
| Number of Rows | 2 |

Body Features

| | |
|-----------------------|-------|
| Primary Product Color | Black |
|-----------------------|-------|

Contact Features

| | |
|------------------------------|--------|
| Contact Layout | Inline |
| Contact Type | Socket |
| Contact Current Rating (Max) | 3 A |



Termination Features

| | |
|------------------------------------|-------|
| Termination Method to Wire & Cable | Crimp |
|------------------------------------|-------|

Mechanical Attachment

| | |
|-------------------------|----------------------------|
| Panel Mount Feature | Without |
| PCB Mount Retention | With |
| Mating Retention Type | Detent Latching |
| Mating Retention | With |
| Connector Mounting Type | Cable Mount (Free-Hanging) |

Housing Features

| | |
|-----------------------------|------------------------------|
| Housing Entry Configuration | Both Ends Closed |
| Housing Material | LCP (Liquid Crystal Polymer) |
| Centerline (Pitch) | 2.54 mm[.1 in] |

Dimensions

| | |
|--------------------|----------------|
| Connector Length | 7.1 mm |
| Connector Height | 3.1 mm[.12 in] |
| Row-to-Row Spacing | 2.54 mm[.1 in] |

Usage Conditions

| | |
|-----------------------------|---------------------------|
| Operating Temperature Range | -40 – 80 °C[-40 – 176 °F] |
|-----------------------------|---------------------------|

Operation/Application

| | |
|---------------------|--------|
| Circuit Application | Signal |
|---------------------|--------|

Industry Standards

| | |
|------------------------|-------------------------------|
| Glow Wire Rating | Standard Part - Not Glow Wire |
| UL Flammability Rating | UL 94V-0 |

Packaging Features

| | |
|--------------------|------|
| Packaging Quantity | 1000 |
| Packaging Method | Bag |

Product Compliance

[For compliance documentation, visit the product page on TE.com>](#)

| | |
|---|---|
| EU RoHS Directive 2011/65/EU | Compliant |
| EU ELV Directive 2000/53/EC | Compliant |
| China RoHS 2 Directive MIIT Order No 32, 2016 | No Restricted Materials Above Threshold |



EU REACH Regulation (EC) No. 1907/2006

Current ECHA Candidate List: JUNE 2023 (235)

Candidate List Declared Against: JAN 2023 (233)

Does not contain REACH SVHC

Halogen Content

Low Halogen - Br, Cl, F, I < 900 ppm per homogenous material. Also BFR/CFR/PVC Free

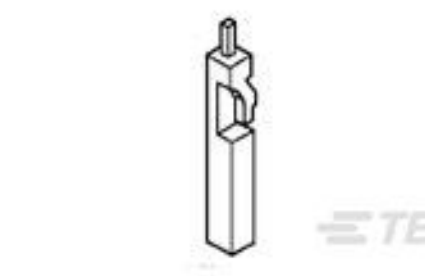
Solder Process Capability

Not applicable for solder process capability

Product Compliance Disclaimer

This information is provided based on reasonable inquiry of our suppliers and represents our current actual knowledge based on the information they provided. This information is subject to change. The part numbers that TE has identified as EU RoHS compliant have a maximum concentration of 0.1% by weight in homogenous materials for lead, hexavalent chromium, mercury, PBB, PBDE, DBP, BBP, DEHP, DIBP, and 0.01% for cadmium, or qualify for an exemption to these limits as defined in the Annexes of Directive 2011/65/EU (RoHS2). Finished electrical and electronic equipment products will be CE marked as required by Directive 2011/65/EU. Components may not be CE marked. Additionally, the part numbers that TE has identified as EU ELV compliant have a maximum concentration of 0.1% by weight in homogenous materials for lead, hexavalent chromium, and mercury, and 0.01% for cadmium, or qualify for an exemption to these limits as defined in the Annexes of Directive 2000/53/EC (ELV). Regarding the REACH Regulation, the information TE provides on SVHC in articles for this part number is based on the latest European Chemicals Agency (ECHA) 'Guidance on requirements for substances in articles' posted at this URL: <https://echa.europa.eu/guidance-documents/guidance-on-reach>

Compatible Parts



TE Part # 87077-2
MOD IV KEYING PLUG



TE Part # 280637
4POS DBL PIN HSG



TE Part # 280384-1
2X4P AMPMODU II SHRD HDR, ST, TIN



TE Part # 280389-2
2X4P MODU II SHRD HDR,RT ANG, 0.38AU



TE Part # 181270-1
AMP-MODU CONTACT



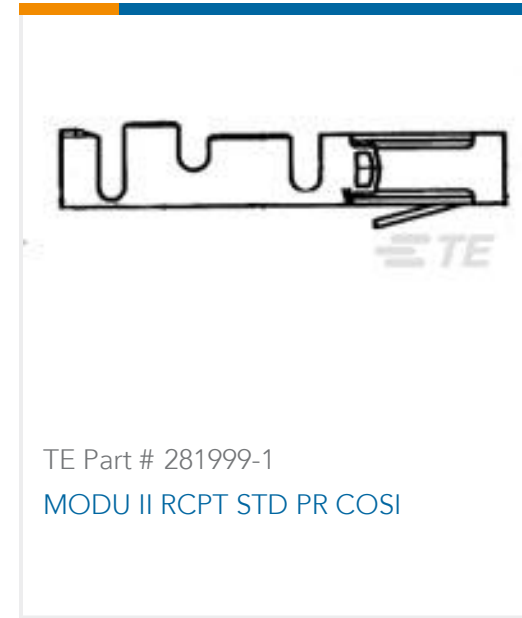
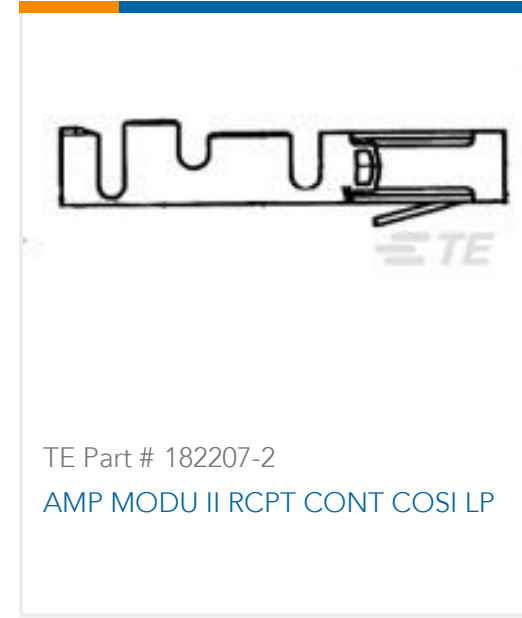
TE Part # 280384-2
2X4P AMPMODU II SHRD HDR,ST,0.38 AU



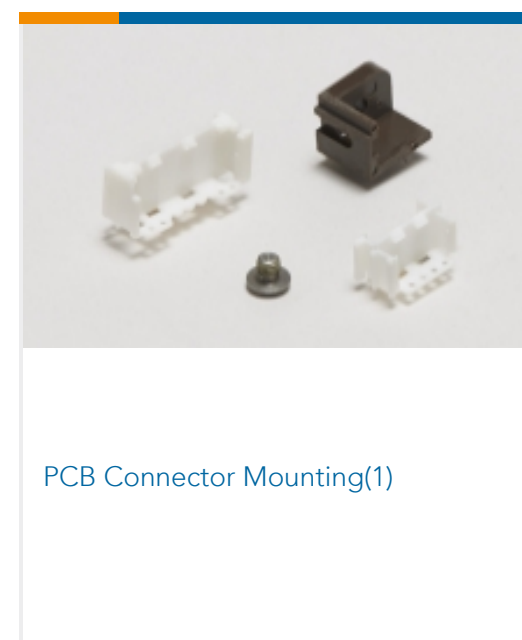
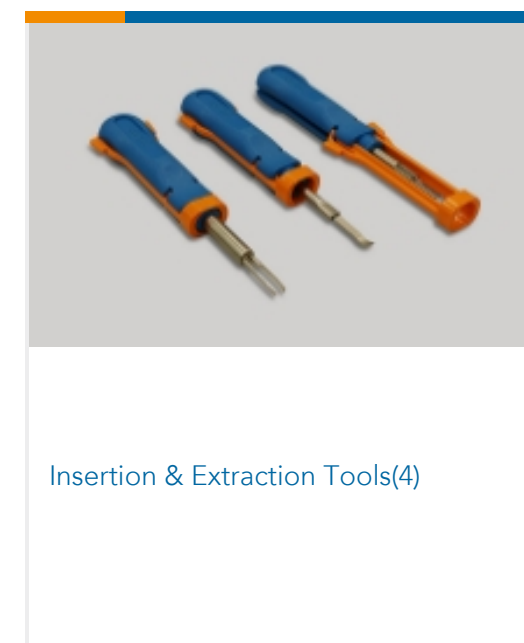
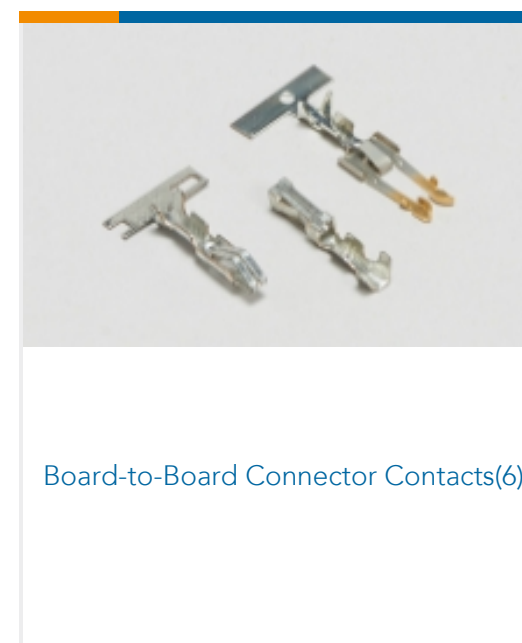
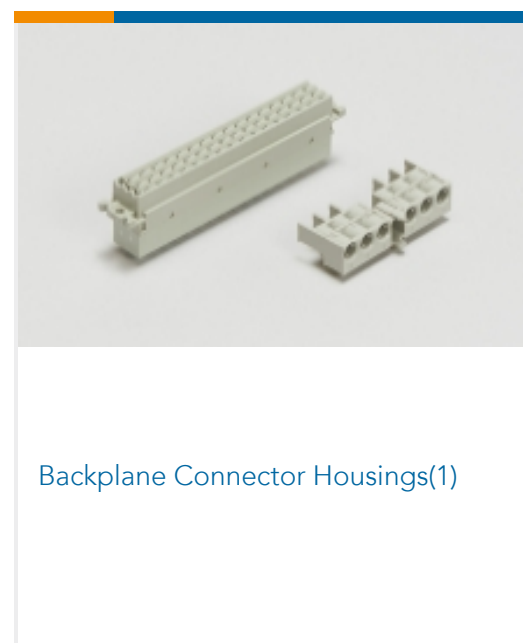
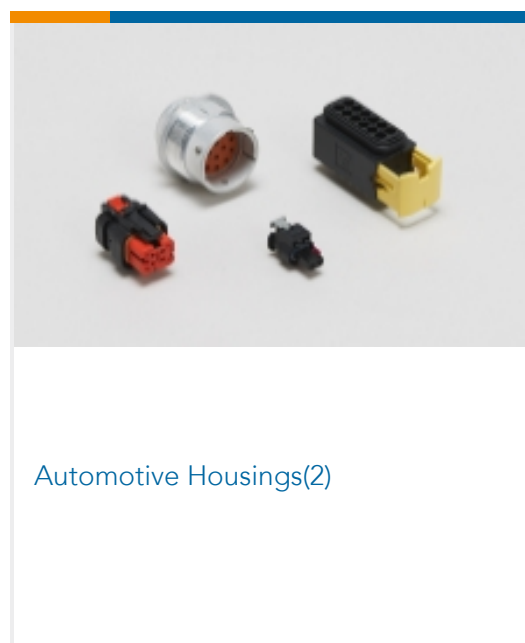
TE Part # 181270-2
MOD II CONTACT L.P.

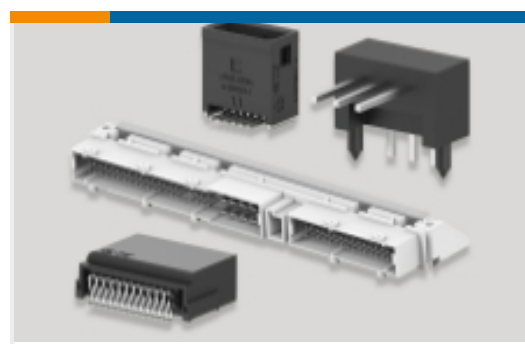


TE Part # 181270-3
MOD 2 BUCHSE

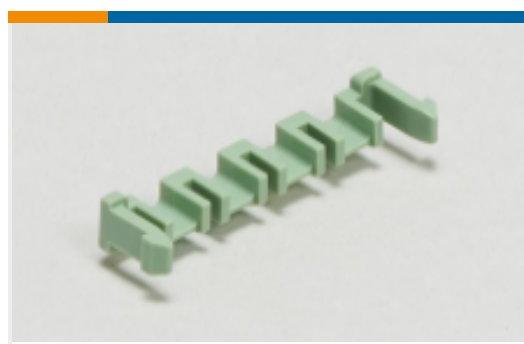


Also in the Series | AMPMODU IV/V





PCB Headers & Receptacles(934)



PCB Latches, Locks & Retainers(7)



Rectangular Connector Housings(5)



Standard Rectangular Connectors(8)



Wire-to-Board Connector Assemblies & Housings(447)

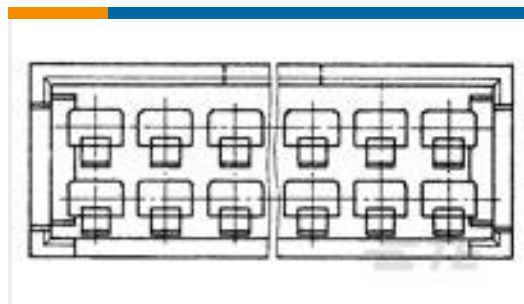


Wire-to-Board Connector Contacts (322)

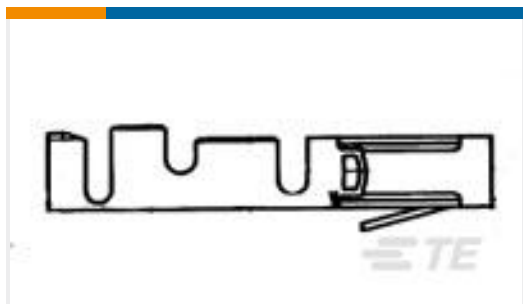
Customers Also Bought



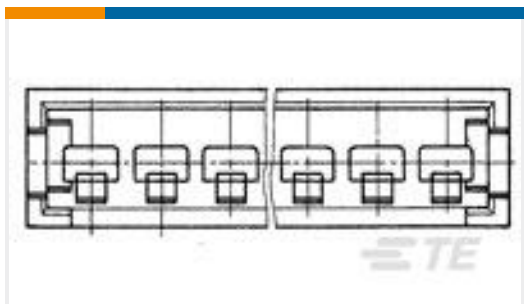
TE Part #1-353908-5
CT REC HSG 15P CRIMP TYPE WHIT



TE Part #280637
4POS DBL PIN HSG



TE Part #181270-1
AMP-MODU CONTACT



TE Part #280629
AMPMODU II COSI PIN HSG, SGL ROW, 4 POS.



TE Part #1-2176316-5
MELF SMA_A 1K5 0.1% 15PPM 0207 1W



TE Part #2344657-1
FPC ANTENNA, CABLE, MHF, Wi-Fi TRIPLE



TE Part #521210-5
HSG,RAST 5,POSI LOCK MKIII,8P

Documents

Product Drawings

AMPMODU, DBL ROW, CONTACT REC

English

CAD Files

3D PDF

3D

Customer View Model

ENG_CVM_CVM_280365_AA.2d_dxf.zip



English

Customer View Model

[ENG_CVM_CVM_280365_AA.3d_igs.zip](#)

English

Customer View Model

[ENG_CVM_CVM_280365_AA.3d_stp.zip](#)

English

By downloading the CAD file I accept and agree to the [Terms and Conditions](#) of use.

Product Environmental Compliance

[MD_280365_06222016856_dmtec](#)

English

[MD_280365_06222016856_dmtec](#)

English