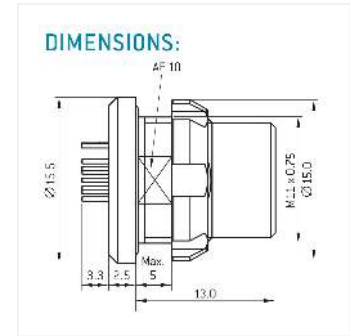
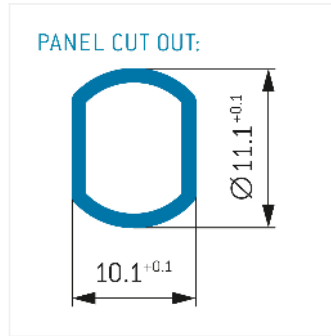
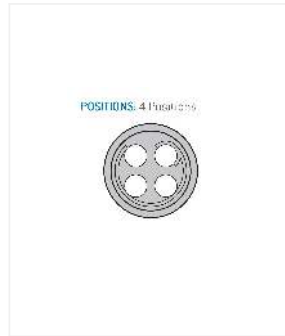
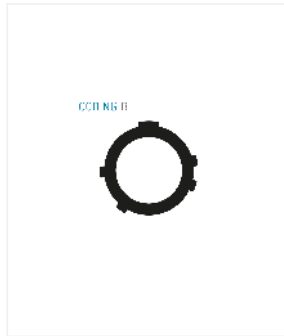


## General information

|                   |                     |
|-------------------|---------------------|
| Part number       | GK0YBR-P04WFG0-000L |
| Termination       | solder              |
| Size              | 0                   |
| Locking principle | break , push        |
| Coding            | b_key_amc           |
| Cable Diameter    | cable_amc_0         |



## Contact insert description

|                      |         |
|----------------------|---------|
| Number of contacts   | 4       |
| Contact type         | sockets |
| Contact diameter     | 07mm    |
| Insulator material   | peek    |
| Wire cross section   | 22_awg  |
| Termination          | solder  |
| Termination diameter | 085mm   |
| Data transmission    | usb_2   |

reverse\_gender\_on\_request

## Technical information

|                                |          |               |
|--------------------------------|----------|---------------|
| Nominal current single contact | 07_a     | iec_60512_5_2 |
| Nominal current insert         | 7_A      | vde_0298_4    |
| Test voltage                   | 09_kv_ac | eia_364_20f   |

safety\_text

## Mechanical and environmental data

|                       |              |
|-----------------------|--------------|
| Degree of protection* | ipsk8_ip6k9k |
| Operating temperature | 51_125_c     |
| Mating cycles         | 5000         |

mated

## Material and surface treatments

|         |               |
|---------|---------------|
| Housing | ruthenium     |
| Contact | cu_alloy_gold |

data\_text

safety\_text\_2  
data\_text  
ul\_text  
illustrative\_text