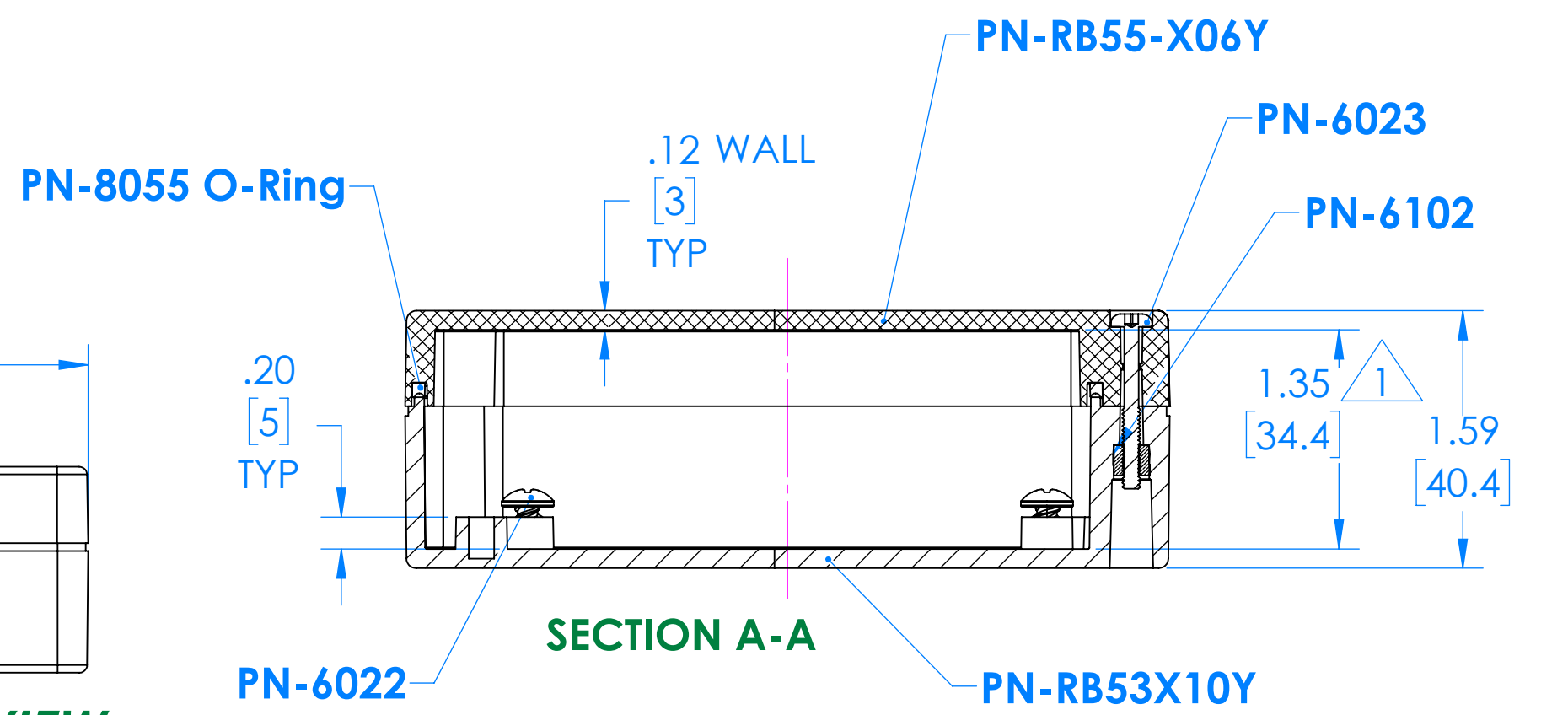
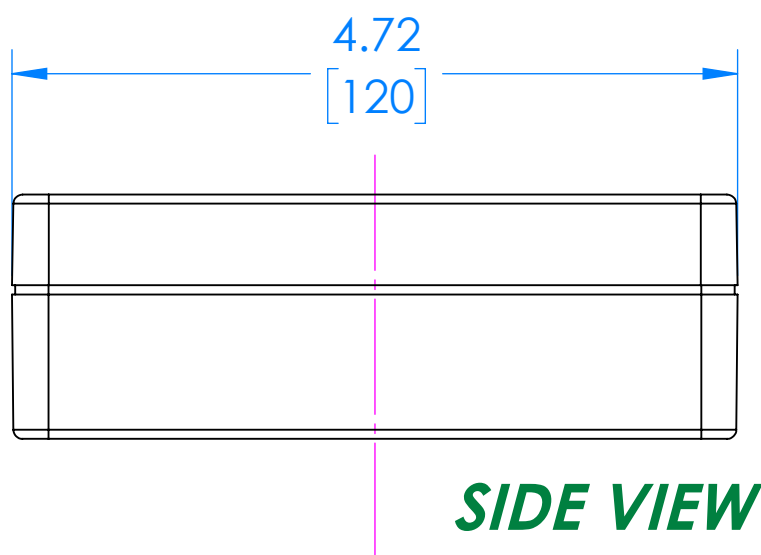
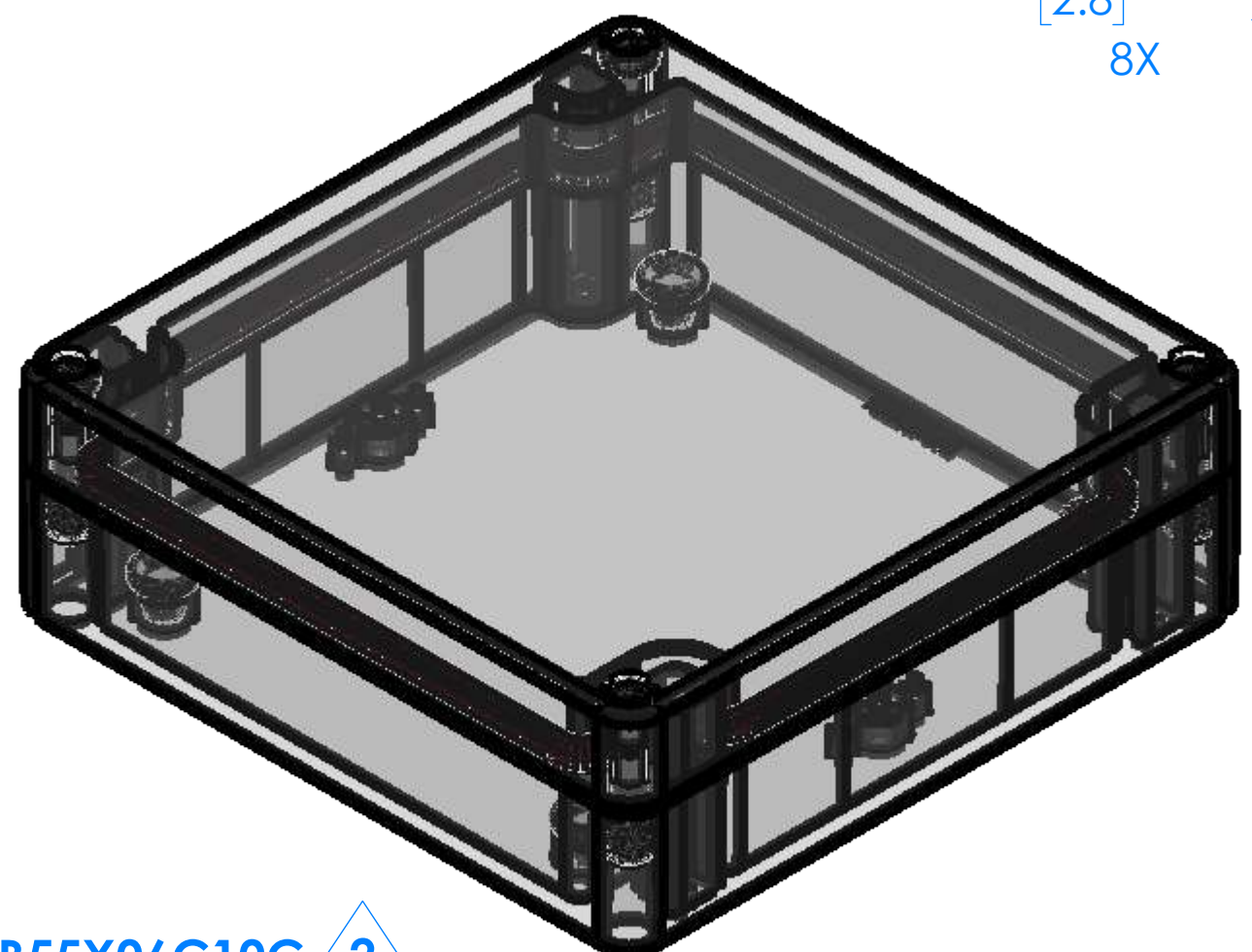
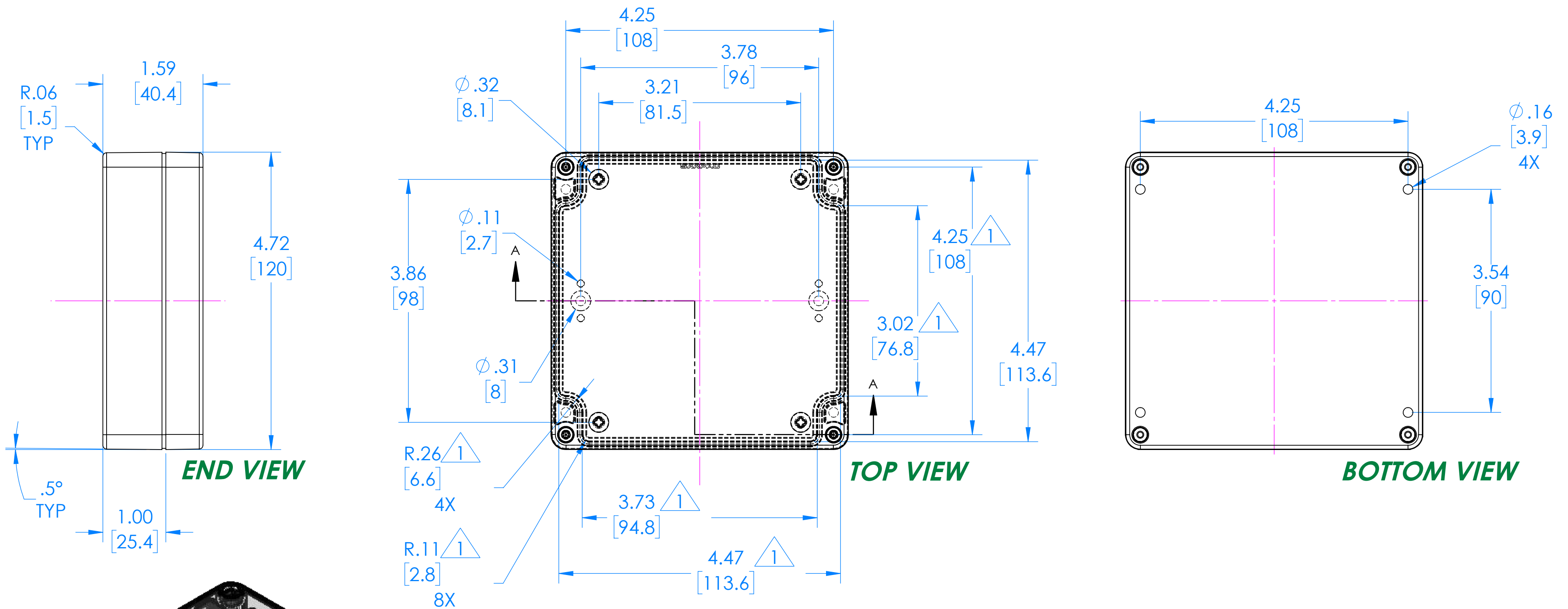


SERPAC RB55X06Y10Y

Electronic Enclosures



RB55X06C10C 2
 (Part shown, no material (X) specified)

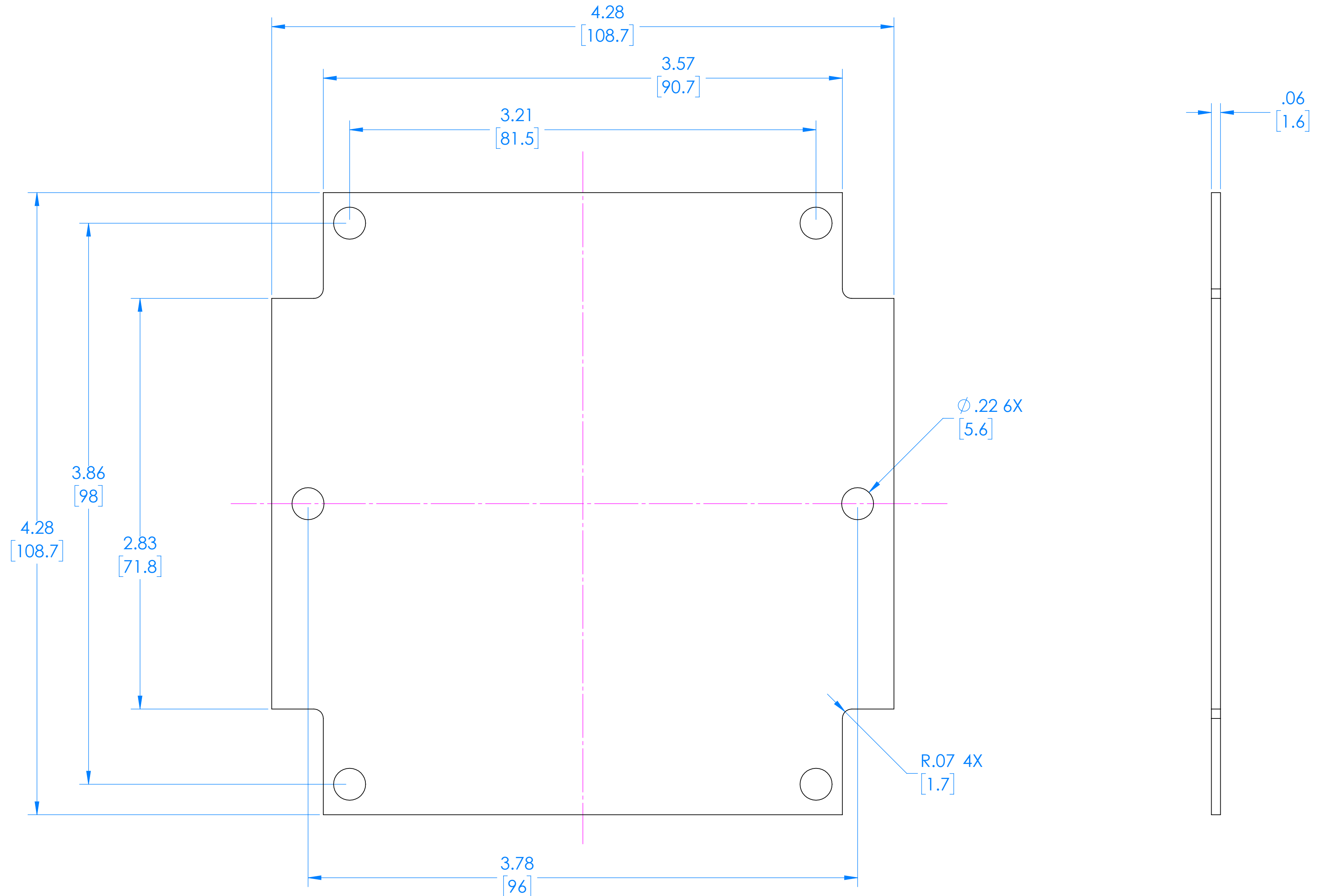
PN	Description
RB55-X06Y	(1) RB55-X06Y Top
RB55X10Y	(1) RB55X10Y Bottom
8055	(1) RB55 O-Ring
6023	(4) #4-40 Torx 10 Hd Screw
6022	(4) #10 High/Low Pan Hd x 1/4"
6102	(4) #4-40 Threaded Insert

1 = INTERIOR DIMENSIONS (@ BOTTOM)
 2 = STANDARD COLORS (Y) ARE: BLACK (B), CLEAR (C) AND GRAY (G)
 TOPS AND BOTTOMS ALL POSSIBLE COMBINATIONS AVAILABLE
 STANDARD MATERIALS (X) IS: POLYCARBONATE (P)

-Watertight enclosure meets or exceed Nema 4 and or IP67.

DIMENSIONS in Inch [mm]

RB55 Circuit Board (Fits all Parts starting with RB55)



(REFERENCE ONLY)