

- CONNECTOR DIMENSIONS ARE PER ARINC 600 SPECIFICATION UNLESS OTHERWISE SPECIFIED.
- CONNECTOR IS SUPPLIED WITH CONTACTS (PER TABLE) ASSEMBLED AS SHOWN.
- KEYING SHOWN IN POSITION "01" FOR ILLUSTRATION ONLY. CONNECTORS SHIPPED WITH KEYING INSTALLED IN POSITION PER TABLE.
- WITH CONTACT FULLY SEATED TO REAR OF CAVITY.
- FILLER PLUGS ARE SHOWN AS CROSSHATCHED AREAS IN CAVITIES.

COMPONENT	MATERIAL	FINISH
SHELL	DIE CAST ALUMINUM PER ASTM-B-85	ELECTROLESS NICKEL PER MIL-C-26074, CLASS 3 OR 4, GRADE B
RETENTION PLATES	ALUMINUM ALLOY PER ASTM-B-209	ELECTROLESS NICKEL PER MIL-C-26074, CLASS 3 OR 4, GRADE B
SCREWS	STAINLESS STEEL	-
KEYWAY	ZINC ALLOY PER ASTM-B-86	-
85 POSN. INSERT	THERMOSET	-
KEYWAY RETAINING PLATE	ALUMINUM ALLOY PER ASTM-B-209	BLUE ANODIZED PER MIL-A-8625
11Q11 & 10T10 INSERT	ALUMINUM ALLOY PER ASTM-B-209	ELECTROLESS NICKEL PER MIL-C-26074, CLASS 3 OR 4, GRADE B
FILLER PLUGS	ALUMINUM ALLOY PER ASTM-B-211	ELECTROLESS NICKEL PER MIL-C-26074,

192	MODULE A: SIZE 8 QUADRAx: 1445626-3 (QTY=4) SIZE 8 FILLER PLUG: 1663983-1 (QTY=7) CONTACTS & PLUGS LOADED AS SHOWN	1883407-1
	MODULE B: SIZE 8 COAX: 448540-4 (QTY=8) SIZE 8 FILLER PLUG: 1663983-3 (QTY=2) CONTACTS & PLUGS LOADED AS SHOWN	
KEYING POSITION	CONTACTS & FILLER PLUGS INCLUDED AND INSTALLED	PART NUMBER

THIS DRAWING IS A CONTROLLED DOCUMENT.

DIN: C.C.THOMAS 4-20-06  
 CHK: K.HOGAN 4-20-06  
 APVD: K.HOGAN 4-20-06

AMP Tyco Electronics Corporation  
 Harrisburg, PA 17105-3608

DIMENSIONS: INCHES [mm]

TOLERANCES UNLESS OTHERWISE SPECIFIED:  
 0 PLC ± -  
 1 PLC ± -  
 2 PLC ± -  
 3 PLC ± .001 [0.03]  
 4 PLC ± -  
 ANGLES ± -

APPLICATION SPEC

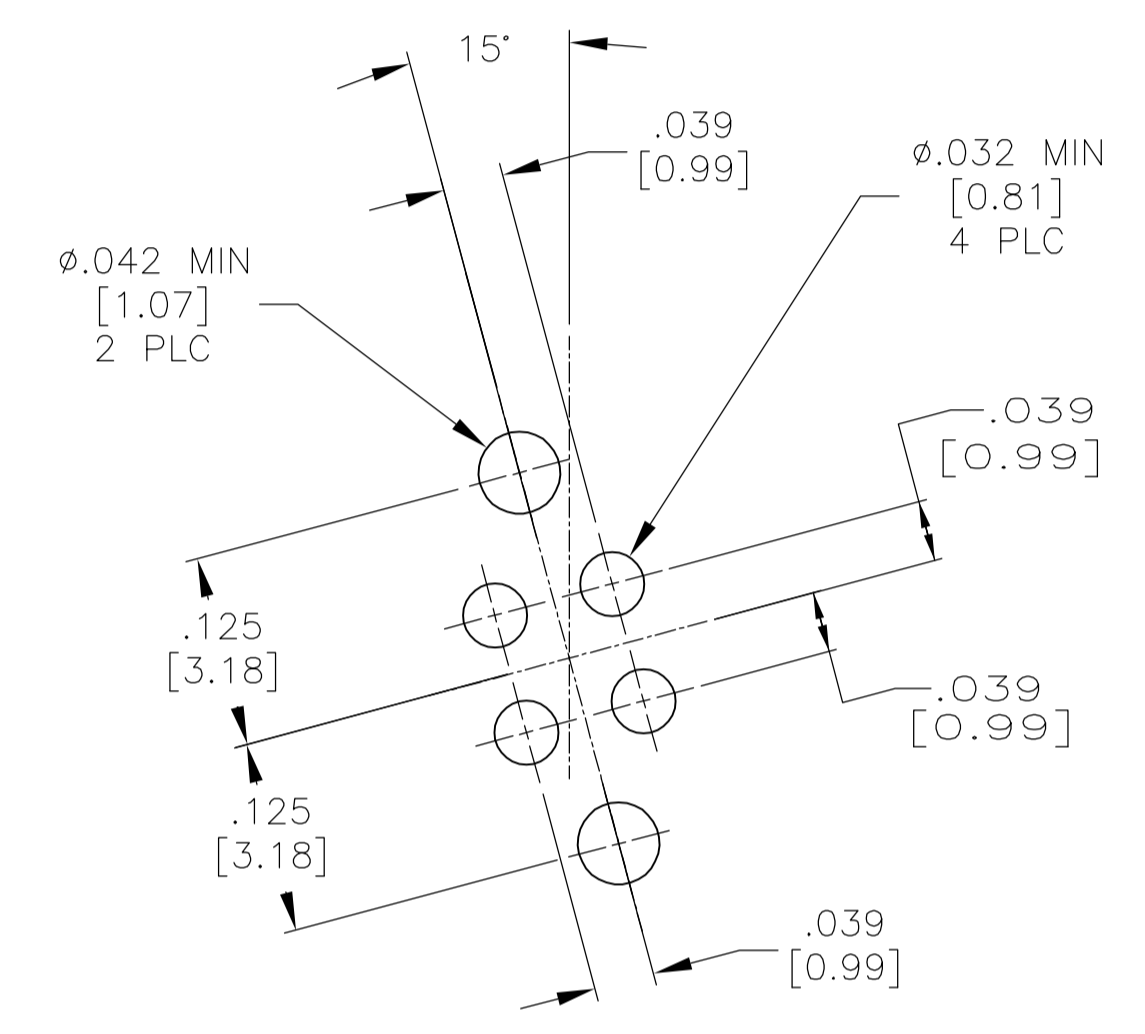
NAME: RCPT ASSY, SIZE 2, ARINC 600 (11Q11/10T10/85 FR)

SIZE: A1  
 CAGE CODE: 00779  
 DRAWING NO: 1883407

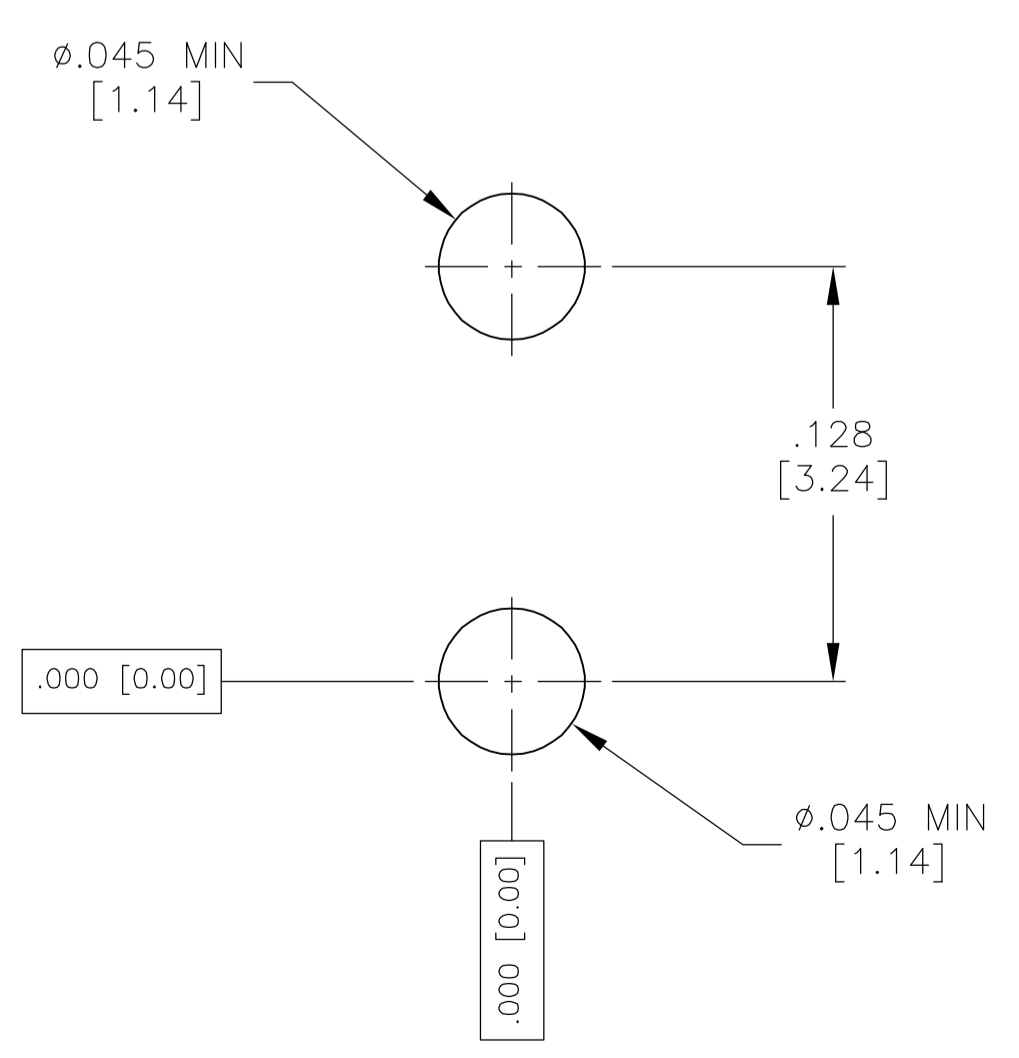
RESTRICTED TO: -

MATERIAL: SEE TABLE  
 FINISH: SEE TABLE  
 WEIGHT: -

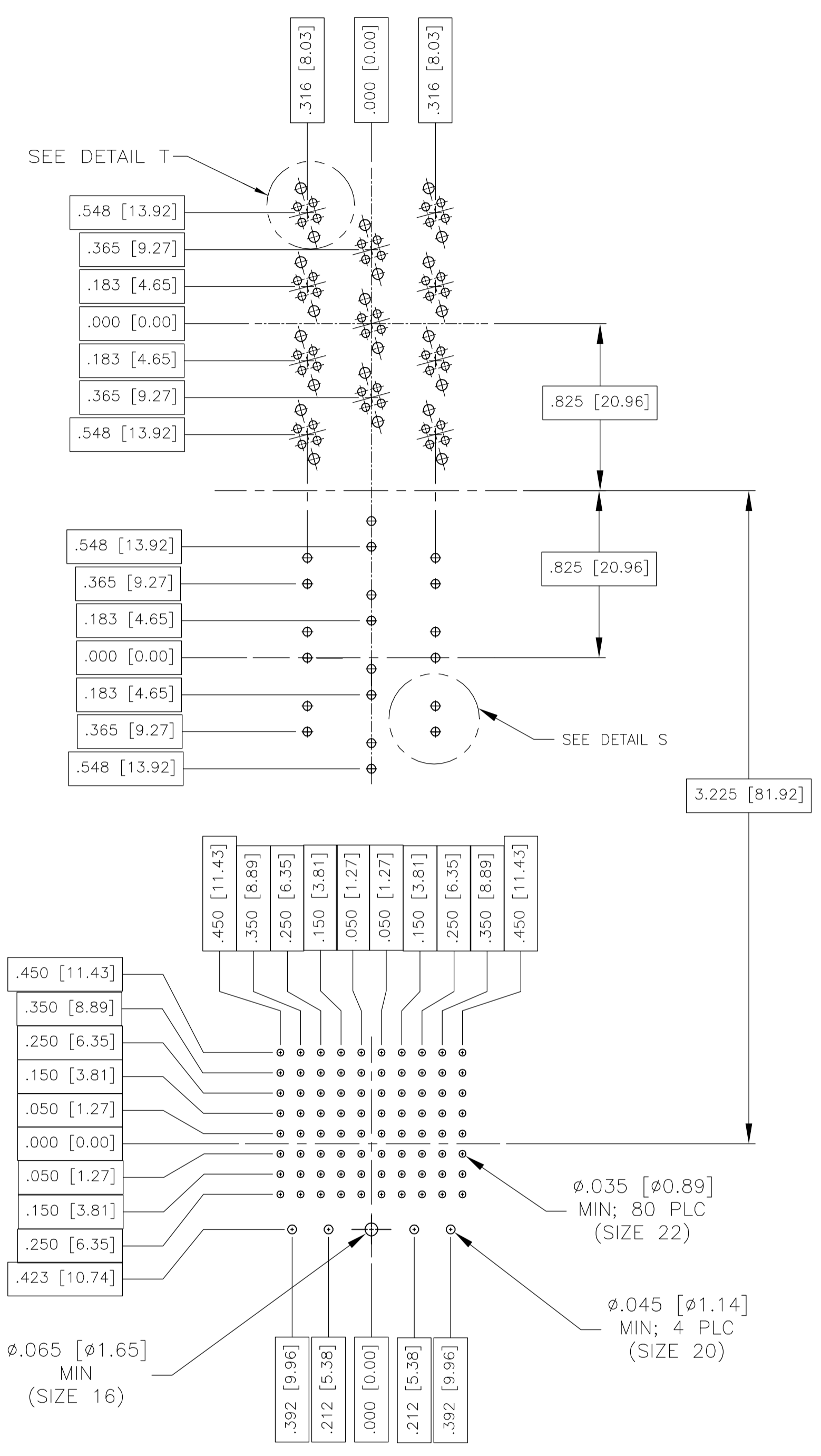
CUSTOMER DRAWING SCALE: 1.5:1 SHEET: 1 OF 2 REV: C



DETAIL T  
SCALE NTS  
4 PLC



DETAIL S  
SCALE NTS  
10 PLC



THIS DRAWING IS A CONTROLLED DOCUMENT.		DWG C.C.THOMAS	4-20-06		Tyco Electronics Corporation Harrisburg, Pa 17105-3608
DIMENSIONS: INCHES [mm]		CHK K.HOGAN	4-20-06		APVD K.HOGAN
TOLERANCES UNLESS OTHERWISE SPECIFIED:		NAME		RCPT ASSY, SIZE 2, ARINC 600 (11Q11/10T10/85 FR)	
0 PLC ± - 1 PLC ± - 2 PLC ± - 3 PLC ± - 4 PLC ± - ANGLES ± -		APPLICATION SPEC		SIZE	A1
MATERIAL SEE TABLE		WEIGHT		CAGE CODE	00779
FINISH SEE TABLE		CUSTOMER DRAWING		DRAWING NO	1883407
		SCALE		SHEET	2 OF 2
				REV	C