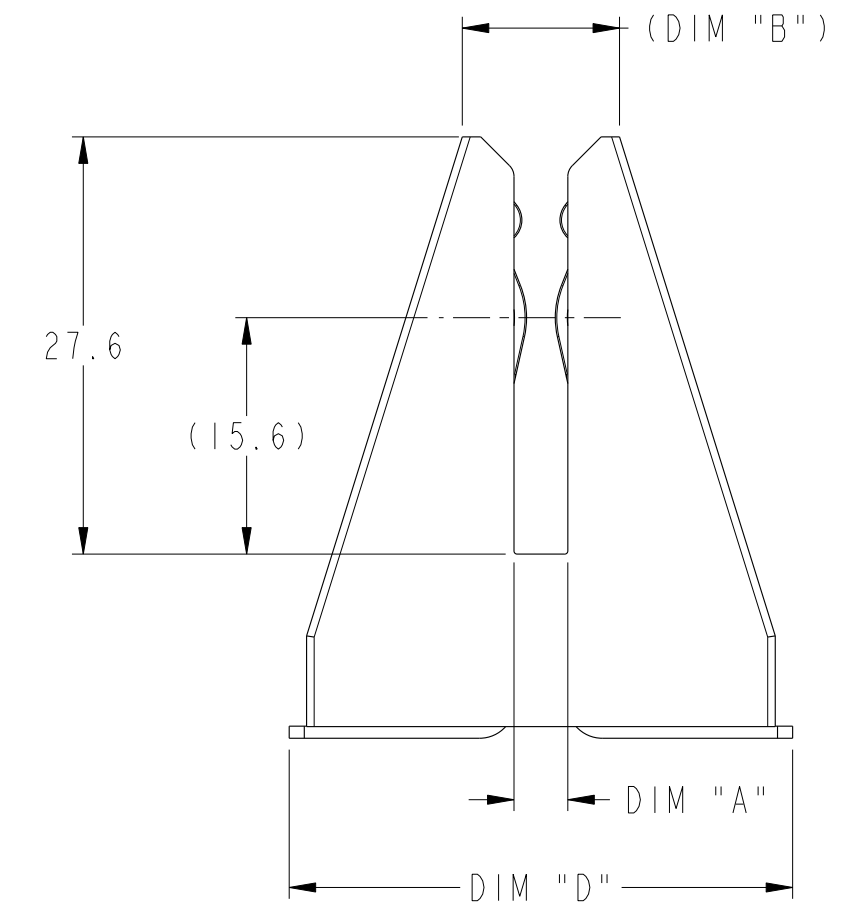
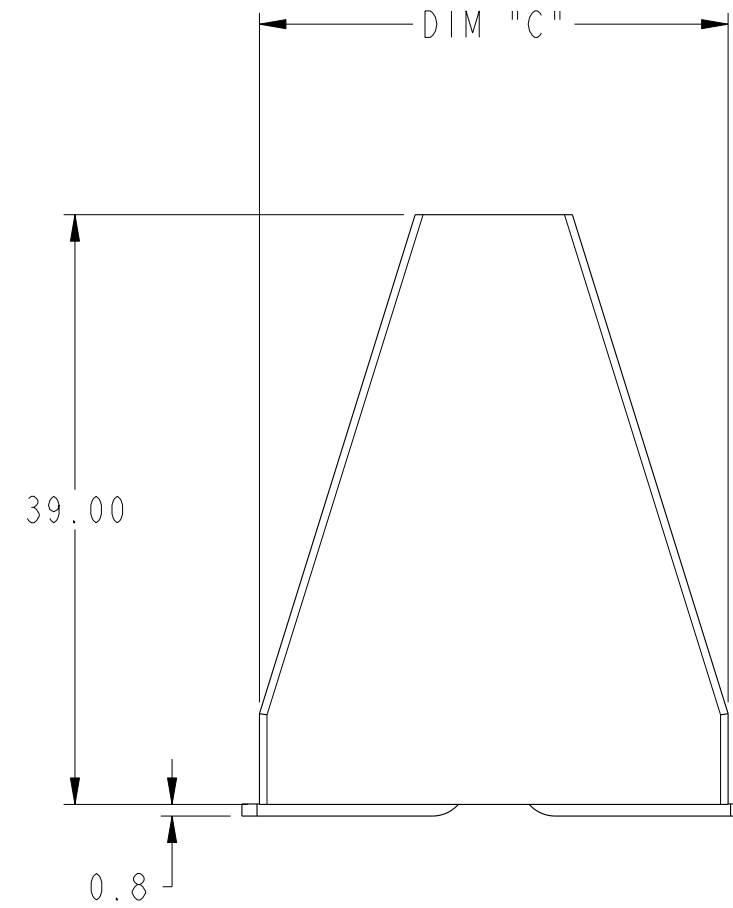
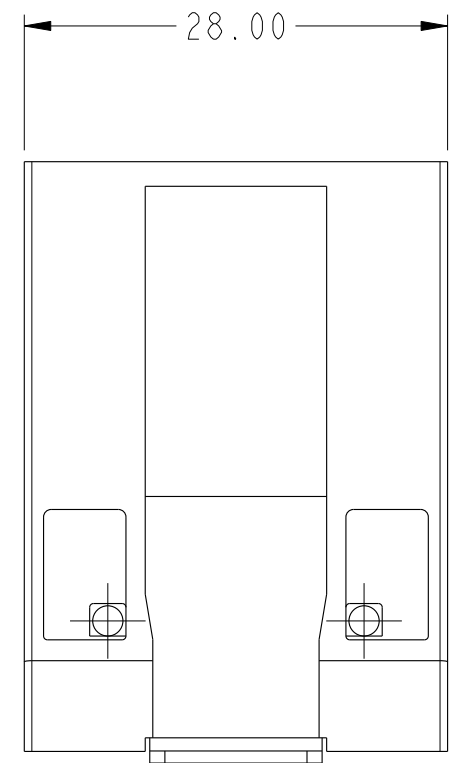


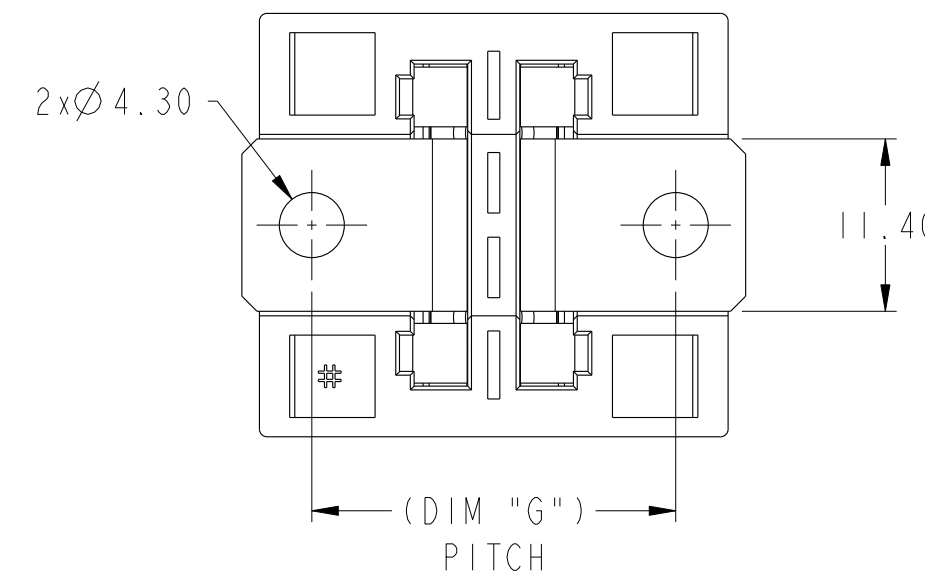
| PRODUCT NUMBER | ASSEMBLY TYPE | DIM "A" | DIM "B" | DIM "C" | DIM "D" | DIM "G" PITCH | MATING BUS-BAR THICKNESS DIM "H" ±0.10 |
|----------------|------------------|---------|---------|---------|---------|---------------|---|
| 10134620-001LF | OPEN SIDE WALL | 2.56 | 9.4 | 30.0 | 32.3 | 23.0 | 2.00 |
| 10134620-002LF | | 3.56 | 10.4 | 31.0 | 33.3 | 24.0 | 3.00 |
| 10134620-003LF | | 4.56 | 11.4 | 32.0 | 34.3 | 25.0 | 4.00 |
| 10134620-004LF | CLOSED SIDE WALL | 2.56 | 9.4 | 30.0 | 32.3 | 23.0 | 2.00 |
| 10134620-005LF | | 3.56 | 10.4 | 31.0 | 33.3 | 24.0 | 3.00 |
| 10134620-006LF | | 4.56 | 11.4 | 32.0 | 34.3 | 25.0 | 4.00 |



CLOSED SIDE WALL

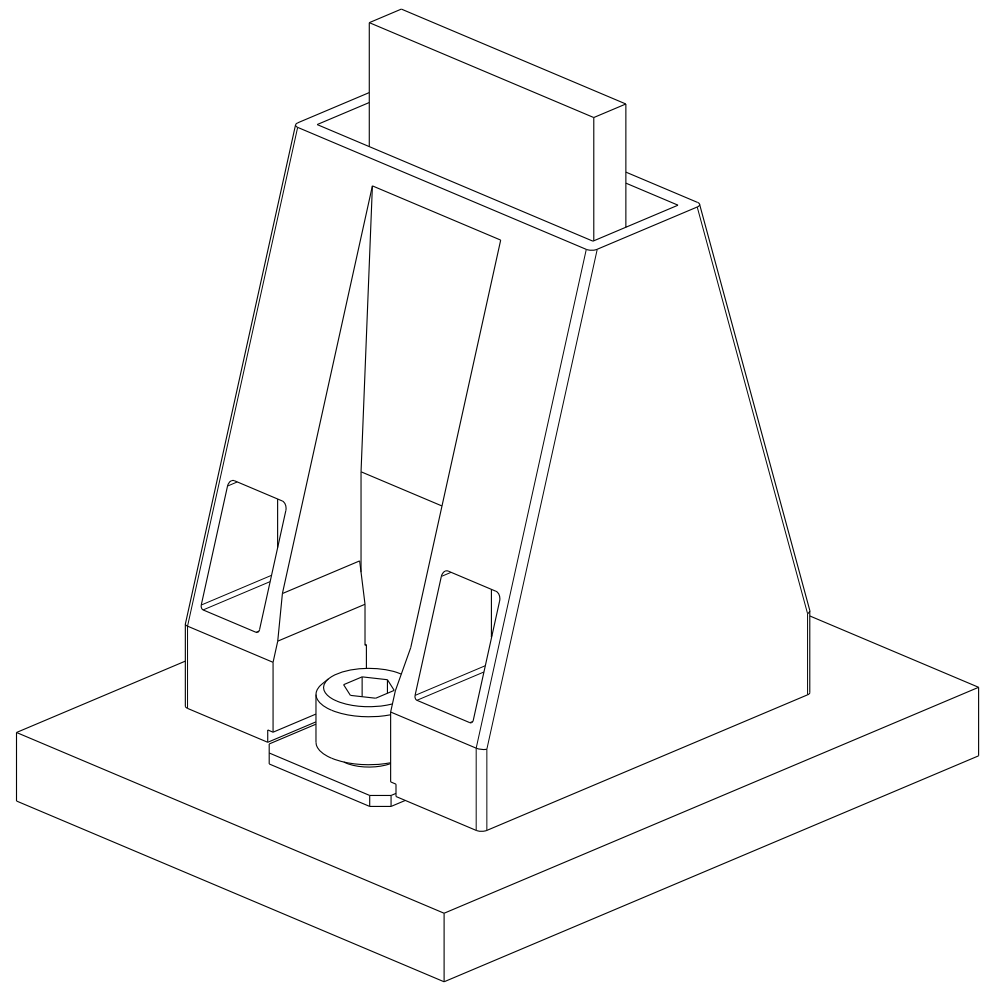
OPEN SIDE WALL

| CLOSED SIDE WALL | OPEN SIDE WALL |
|------------------|----------------|
| | |
| | |
| SCALE 1:1 | SCALE 1:1 |

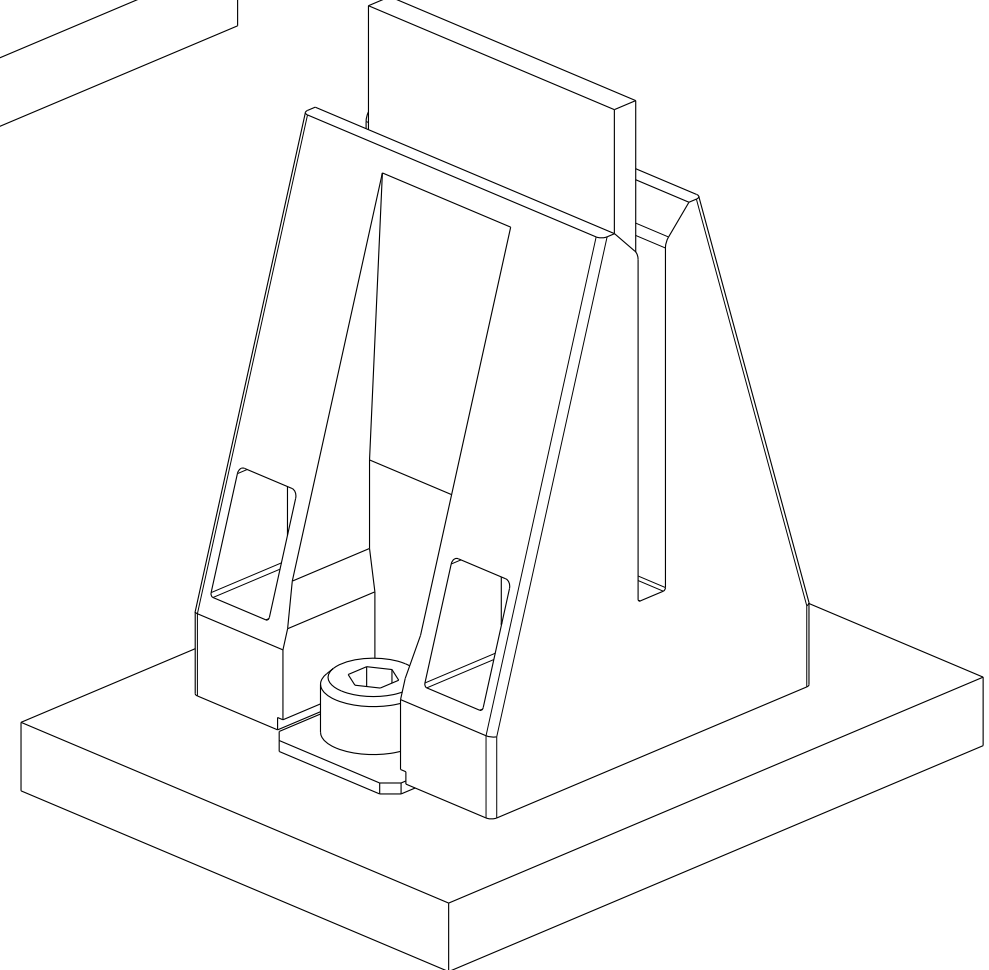


| | | | | | | | | | | | |
|---------------|-------------|------|------------|------------|----------------|----|----------|---------------------------|------------------------|--------------|---|
| spec ref | - | dr | Terris Liu | 2015/12/08 | projection | mm | size | A2 | scale | 2:1 | |
| tolerance std | ASME Y14.5M | eng | Terris Liu | 2016/07/22 | product family | - | ecn no | - | rel level | Preliminary | |
| surface | ASME Y14.5M | chr | - | - | Amphenol FCI | | title | BarKlip VERTICAL ASSEMBLY | | rev | 1 |
| | | appr | - | - | www.fci.com | | cat. no. | 10134620 | Product - Customer Drw | sheet 1 of 2 | |
| | | | | | | | | | | | |

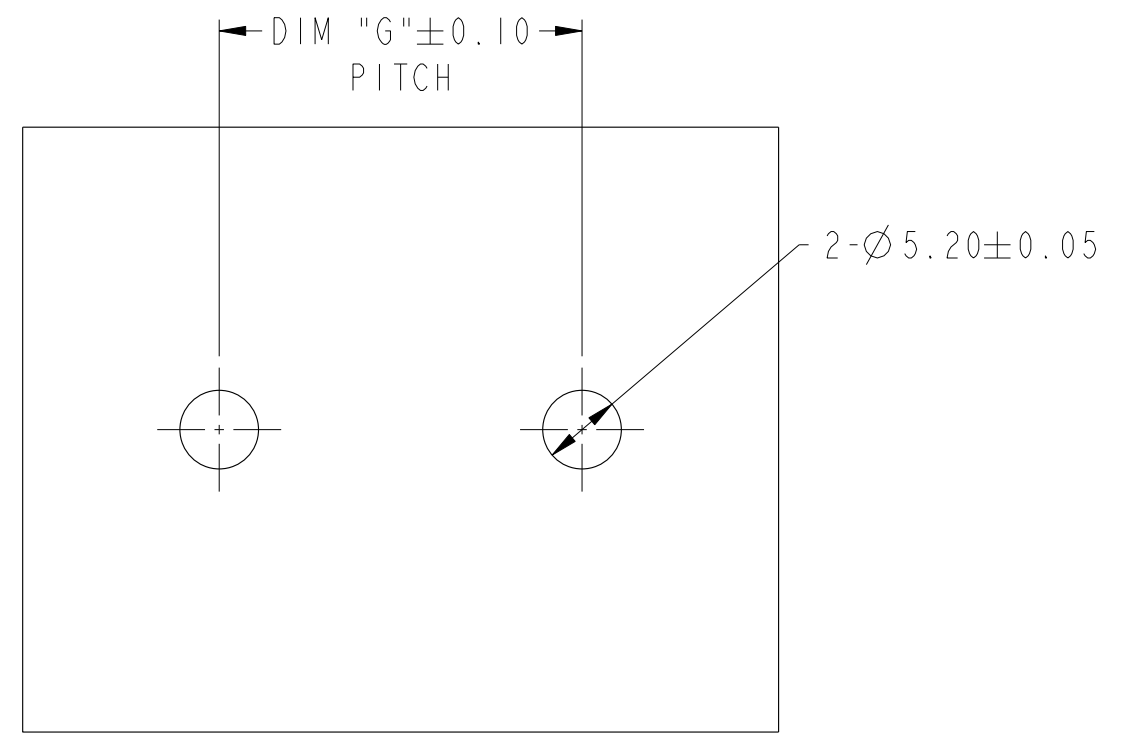
| S.NO | DESCRIPTION | QTY | REMARKS |
|------|------------------|-----|--|
| 1 | Product | 1 | OPEN / CLOSED SIDE WALL |
| 2 | MATING BUS-BAR | 1 | PLATING RECOMMENDATION:3 um Silver over 2.54 um Nickel |
| 3 | M4 SCREW | 2 | |
| 4 | M4 WASHER | 4 | |
| 5 | M4 NUT | 2 | |
| 6 | MOUNTING BUS-BAR | 1 | PLATING RECOMMENDATION:3 um Silver over 2.54 um Nickel |



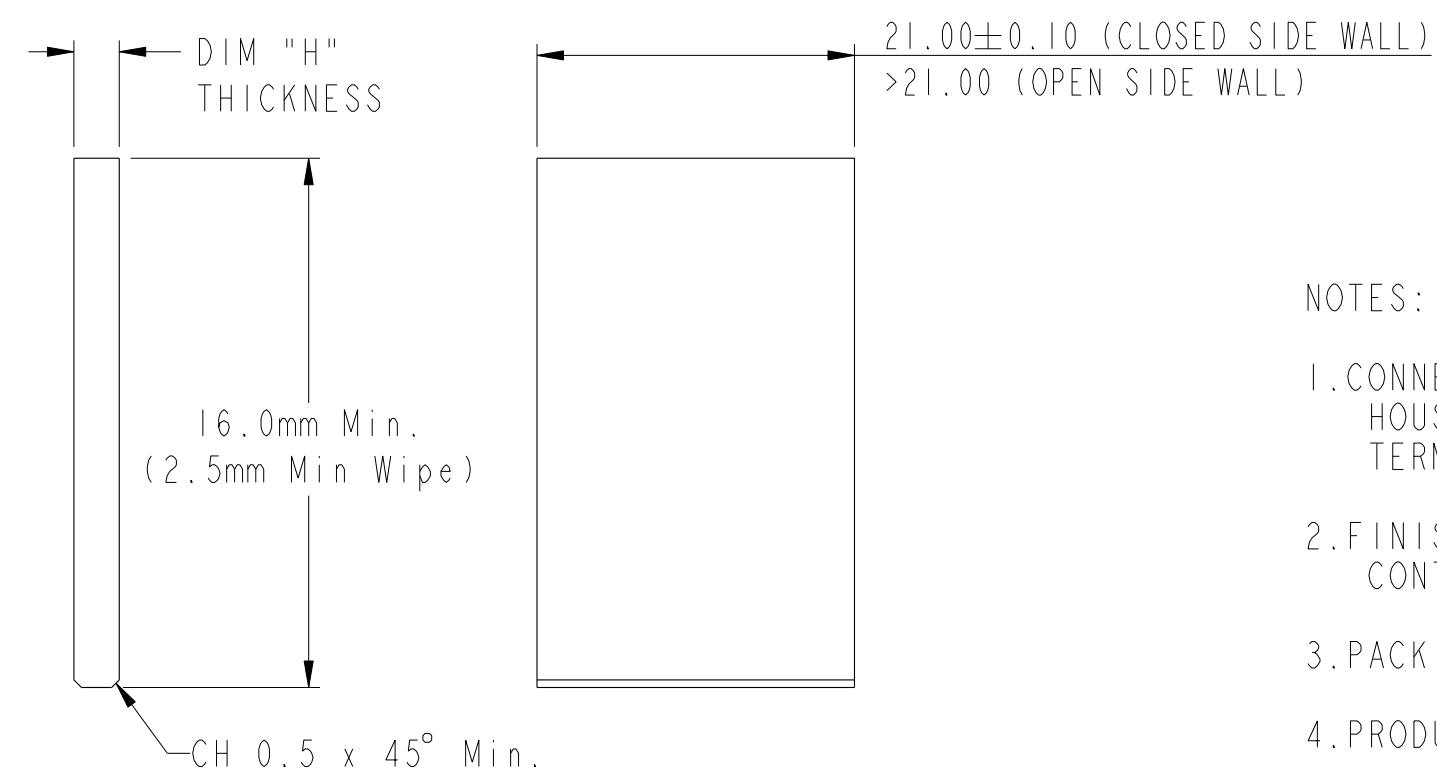
CLOSED SIDE WALL



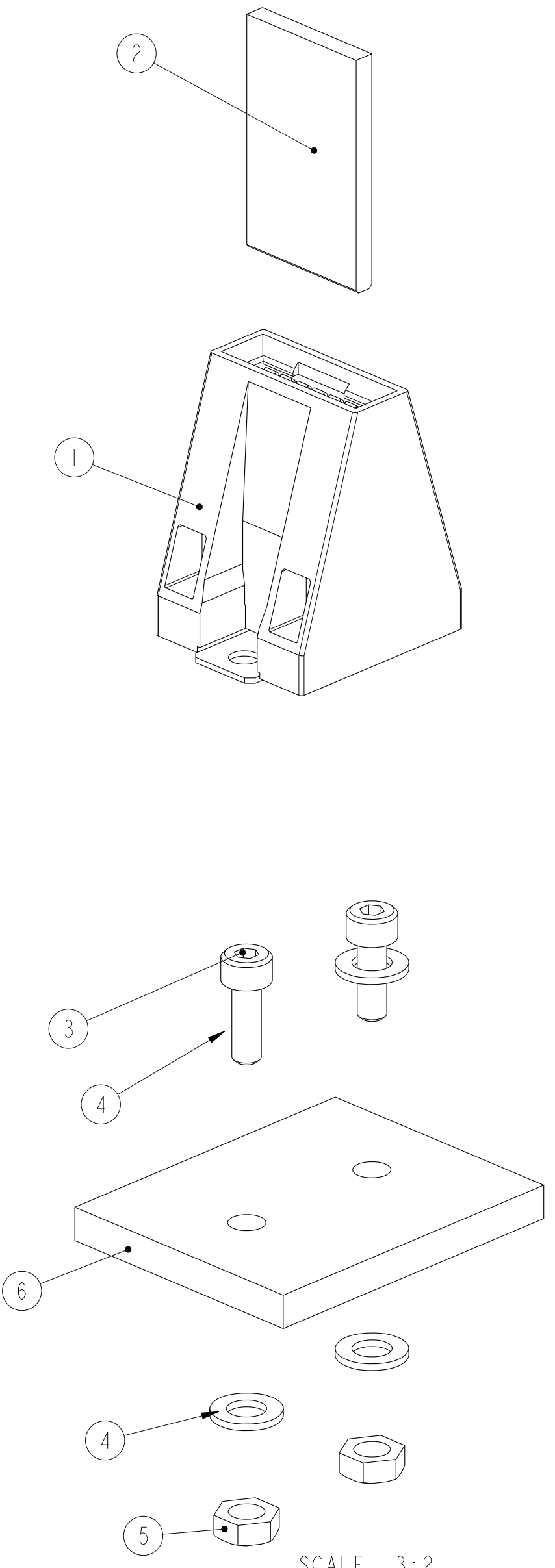
OPEN SIDE WALL



SCALE 2:1
RECOMMENDED MOUNTING BUS-BAR
THICKNESS 5.00 MAX.



SCALE 2:1
RECOMMENDED MATING BUS-BAR



SCALE 3:2

NOTES:

- CONNECTOR MATERIAL:
HOUSING: HIGH TEMPERATURE THERMOPLASTIC GLASS FILLED, Black, UL 94V-0
TERMINALS: COPPER ALLOY
- FINISHES:
CONTACT AREA: PLATED AGT OVER NICKEL I
- PACKING SPECIFICATION: GS-14-2376
- PRODUCT SPECIFICATION: GS-12-1319
- PRODUCT APPLICATION: GS-20-0446
- LEAD FREE PRODUCTS MEET EUROPEAN UNION DIRECTIVES AND OTHER COUNTRY REGULATIONS AS DESCRIBED IN GS-47-0004.

| | | | | | | | | | | |
|---------------------------------------|-------------|--------------|------------|---------------------------|------------|--------------|--------|---------|-----------|-------------|
| spec ref | - | dr | Terris Liu | 2015/12/08 | projection | mm | size | A2 | scale | 2:1 |
| tolerance std | ASME Y14.5M | eng | Terris Liu | 2016/07/22 | chr | - | ecn no | - | rel level | Preliminary |
| surface | linear | 0.X | ±0.50 | 0.XX | ±0.30 | 0.XXX | ±0.15 | angular | 0° | ±2° |
| TOLERANCES UNLESS OTHERWISE SPECIFIED | | Amphenol FCI | | BarKlip VERTICAL ASSEMBLY | | 10134620 | | rev | | 1 |
| www.fci.com | | cat. no. | | Product - Customer Drw | | sheet 2 of 2 | | | | |

Amphenol FCI

© 2016 AFCI