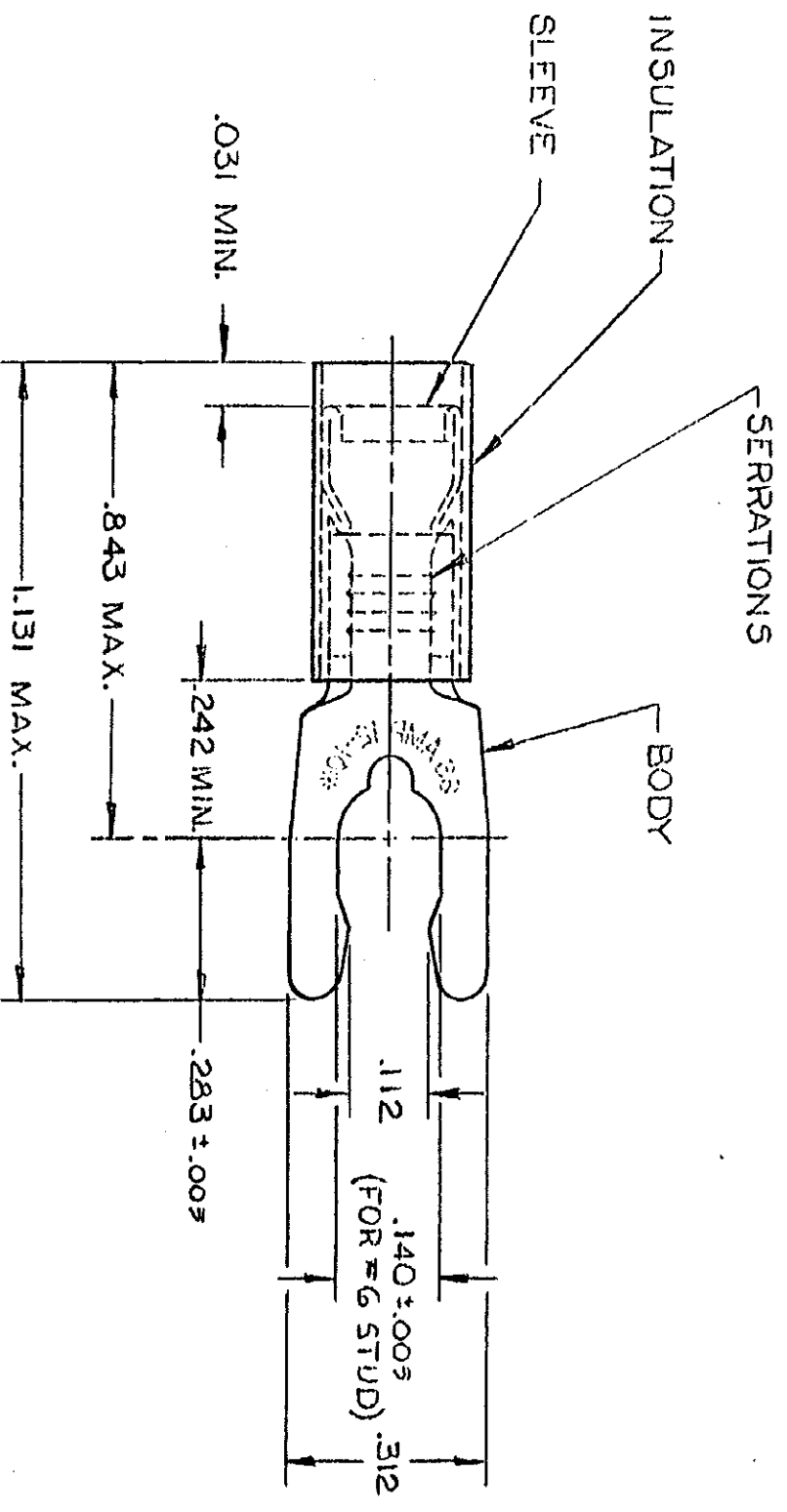


THIS DRAWING IS UNPUBLISHED. RELEASED FOR PUBLICATION BY AMP INCORPORATED, HARRISBURG, PA. ALL INTERNATIONAL RIGHTS RESERVED. AMP PRODUCTS MAY BE COVERED BY U.S. AND FOREIGN PATENTS AND/OR PATENTS PENDING.



- 1 WIRE INSULATION DIA. = SEE TABLE, DIM. "A"
- 2 TONGUE MATERIAL THK. = .040 ±.002
- 3 BODY FINISH: TIN PLATE (MIL-T-10727) .000100 MIN THK

REVISIONS		DATE	APPROVED
P	F ZONE	LTR	DESCRIPTION
✓		D	REDRAWN-REVISED PER G-1477.
✓		E	G-1175, P85-0087 & P85-0089 FC-1928
✓		F	OBSOLETE -4 PER G-2393
✓		G	REVISED G-3044
✓		H	OBS -5 PER G-3358
✓			REV PER G-5648

DIM. "A"	QUANTITY	DESCRIPTION	PART NO
.150-.250	500	ON TAPE, 16 BOX	52430-2
.150-.250	500	ON TAPE, 25 BOX	52430-4
.150-.250	2500	ON TAPE, REEL	52430-3
.150-.230	2500	ON TAPE, REEL	52430-2
.150-.250	---	LOOSE PIECE	52430-1
.150-.230	---	LOOSE PIECE	52430

UNLESS OTHERWISE SPECIFIED DIMENSIONS ARE IN INCHES TOLERANCES ON: DECIMALS ±.008 ANGLES ±

MATERIAL INSULATION: NYLON - YELLOW
SLEEVE: COPPER (QQ-C-576)
BODY: PHOSPHOR BRONZE (QQ-B-750)

CONTRACT NO: DR UTA / RFB 9-26-85

CHK: *[Signature]* 12-19-86
APPD: *[Signature]* 2-19-86

DSGN APPD: OTHER APPD:

NAME: AMP | AMP INCORPORATED | Harrisburg, Pa.

TERMINAL SPADE
P.I.D.G., SPRING
WIRE SIZE: 12-10

SIZE: B
FSCM NO: 00779
DRAWING NO: 52430

SCALE: NTS
SHEET: 1 OF 1

OBsolete