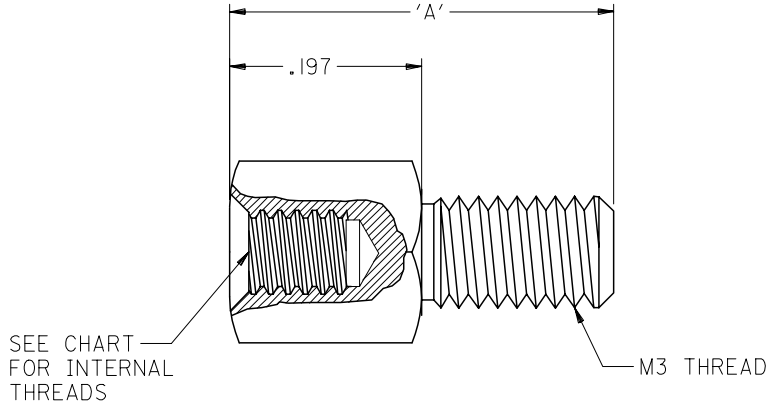
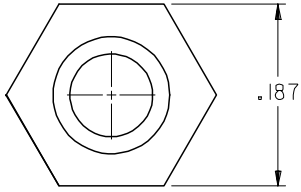
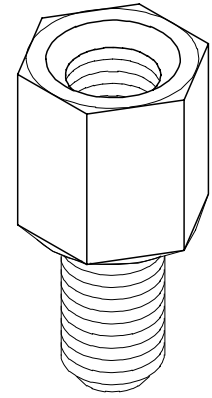


ITEM #	INTERNAL THREAD	EXTERNAL THREAD	DIMENSION 'A'	FINISH
70982-1003	4-40 UNC	M3	.433	CLEAR TRIVALENT CHROMATE
70982-1004	M3	M3	.394	TIN
70982-1005	4-40 UNC	M3	.394	CLEAR TRIVALENT CHROMATE



NOTE FOR LEAD FREE CONVERSION:  
 THE PRIMARY SHIPPING CARTON WILL BE LABELED "COMPLIANT TO RoHS  
 DIRECTIVE 2002/95/EC AND ELV ANNEX II OF DIRECTIVE 2000/53/EC".  
 CARTONS WITHOUT THIS LABEL MAY CONTAIN PRODUCT WITH LEAD.

ROHS COMPLIANT EC NO: UCP2006-1389 DRWN:MSI/BARRA 2006/01/18 CHKD:BSMART 2006/01/24 APPR:SMILLER 2006/01/26	QUALITY SYMBOLS ▽=0 ▽=0	GENERAL TOLERANCES (UNLESS SPECIFIED)		DIMENSION STYLE INCH ONLY		SCALE 8:1	DESIGN UNITS INCH	THIRD ANGLE PROJECTION	
			mm	INCH	DRAWN BY MOS	DATE 94/01/17	TITLE <b>3/16 HEX. SCREWLOCK          HARDWARE KIT          SALES DETAIL</b>		
		4 PLACES ± --- ± ---	3 PLACES ± --- ± ---	2 PLACES ± --- ± ---	CHECKED BY DRS	DATE 94/01/17			
		1 PLACE ± --- ± ---	ANGULAR ±1/2°		APPROVED BY GWF	DATE 94/01/17	MOLEX MOLEX INCORPORATED		
DRAFT WHERE APPLICABLE MUST REMAIN WITHIN DIMENSIONS		MATERIAL NO. SEE TABLE		DOCUMENT NO. SD-70982-****		SHEET NO. 1 OF 1			