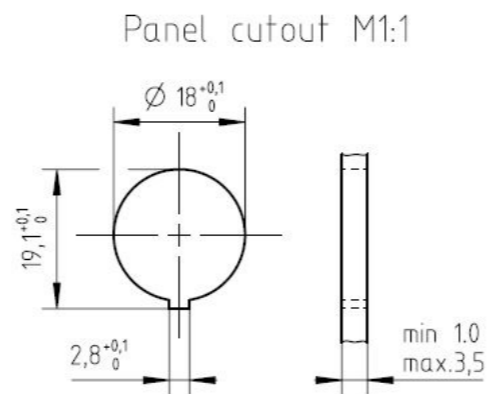
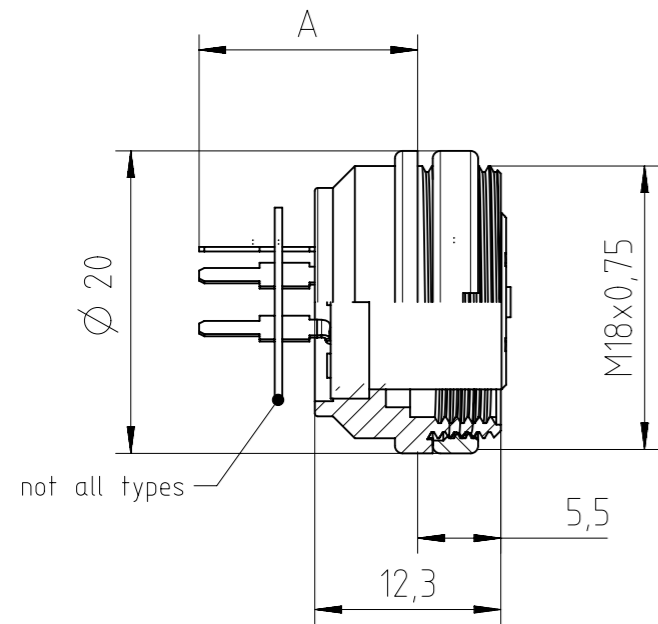


Copying of this document and giving it to others and the use or communication of the contents thereof, are forbidden without express authority. Offenders are liable to the payment of damages. All rights are reserved in the event of the grant of a patent or the registration of the utility model or design.



Number of contacts	Standard	2+3 <sup>1)</sup>	4	5	5	6	7	7	8	12	14	
Contact arrangement	DIN EN 61076-2-106	03-a	04-a	05-a	05-b	06-a	07-a	07-b	08-a	12-a	14-a	
Contact arrangement	IEC 60130-9 <sup>2)</sup>	yes		no	yes		no	yes		no		
Rated voltage <sup>3)</sup>	IEC 60664-1	300 V (100 V)		300 V (63 V)	100 V (32 V)	300 V (63 V)		100 V (32 V)	150 V (32 V)			
Rated voltage	UL 1977	250 V									60 V	
Rated impulse withstand voltage <sup>3)</sup>	IEC 60664-1	1500 V (1500 V)		1200 V (800 V)	1500 V (1500V)		1200 V (800 V)					
Pollution degree <sup>3)</sup>	IEC 60664-1	1 (2)										
Installation category	IEC 60664-1	I										
Insulation group	IEC 60664-1	II, 400 ≤ CTI < 600										
Current rating	IEC 60512-5-2 UL 1977	10A/+40°C		7A/+40°C					3A/+40°C			
Insulation resistance	IEC 60512-3-1	>10 <sup>10</sup> Ω <sup>4)</sup>										
Contact resistance	IEC 60512-2-1	<5m Ω										
Climatic category	IEC 60668-1	40 / 100 / 56										
Temperatur range	IEC 60668-1	-40°C...+100°C / -40°F...+212°F										
IP degree	IEC 60529	IP 40										
Insertion and withdrawal force	IEC 60512-13-2	25N	30N	35N	50N	55N	60N	50N				
Mechanical operation	IEC 60512-9-1	≥1000 mating cycles										
Housing material		brass and / or zinc die cast, nickel plated										
Dielectric material		thermoplastic										
Contacts		gold plated										
Termination technique		solder										
Flamability		UL 94 V0										
locking system	IEC 60130-9 DIN EN 61076-2-106	metal screw coupling; tightening torque 0,7 - 1,5 Nm										

	14 (14-a)	T 3653 404 U	T 3653 424 U	T 3653 434 U
	12 (12-a)	T 3638 404 U	T 3638 424 U	T 3638 434 U
	8 (08-a)	T 3507 404 U	T 3507 424 U	T 3507 434 U
	7 (07-b)	T 3487 404 U	T 3487 424 U	T 3487 434 U
	7 (07-a)	T 3478 404 U	T 3478 424 U	T 3478 434 U
	6 (6-a)	T 3403 404 U	T 3403 424 U	T 3403 434 U
	5 (05-b)	T 3359 404 U	T 3359 424 U	T 3359 434 U
	5 (05-a)	T 3363 404 U	T 3363 424 U	T 3363 434 U
	4 (04-a)	T 3303 404 U	T 3303 424 U	T 3303 434 U
	3 (03-a)	T 3263 404 U	T 3263 424 U	T 3263 434 U
	2 (Pin 1+3)	T 3203 404 U	T 3203 424 U	T 3203 434 U

<b>Contact arrangement</b> View on mating side Number of contacts (Contact arrangement acc. DIN EN 61076-2-106) A=10,5mm [.413] A=14,5mm [.413] A=19,5mm [.413]	Zul. Abw./Tolerances: ISO 2768-c DIN / ISO 13715	Maßstab / Scale : 2:1: 1:1 A3
--	--	----------------------------------

Gewicht (errechnet) / Calc WT: 12,983 g		Zul. Abw./Tolerances: ISO 2768-c		Maßstab / Scale : 2:1: 1:1		A3	
Prüfmaß / Testdimension		DIN / ISO 13715		CUSTOMER DRAWING			
Teileindex / Partindexnumber:		DIN / ISO 13715					
Bagatelle change:		Gez. 13.01.2016		Female receptacle rear mounting, dip solder			
		Drawn MCARLE					
		Status Released					
		Gepr. 16.06.2021		M GA T 3XXX 4X4 U			
		Checked MBERTSCH					
01 20210006		15.06.2021 MCARLE		Blatt / Sheet 1		1 Bl.	
Index Änderung / Description		Datum / Date Name		Ers. f. / Replacement for:			

<sup>1)</sup> 2 contact version: contact loading 1+3  
<sup>2)</sup> Edition 2000-05  
<sup>3)</sup> values in brackets are according to DIN EN 61076-2-106  
<sup>4)</sup> under operating conditions >10<sup>8</sup> Ohm  
 Do not connect or disconnect under load. Metal housing parts shall be securely incorporated to protected ground.  
 Remark for gold plated contacts:  
 In order to avoid brittle inter-metallic connections, gold plated terminals have to be tin-plated in the solder area.  
 All technical data have been measured in a laboratory environment and can be different during practical usage of the product. Any product information is for descriptive usage only and not legally binding; particularly the information does not constitute or provide any legal guaranties ("Beschaffheitsgarantie" or "Haltbarkeitsgarantie").

Weitergabe sowie Vervielfältigung dieser Unterlage, Verwertung und Mitteilung ihres Inhalts nicht gestattet, soweit nicht ausdrücklich zugestanden. Zuwiderhandlungen verpflichten zu Schadenersatz. Alle Rechte für den Fall der Patenterteilung oder Gebrauchsmuster-Eintragung vorbehalten.