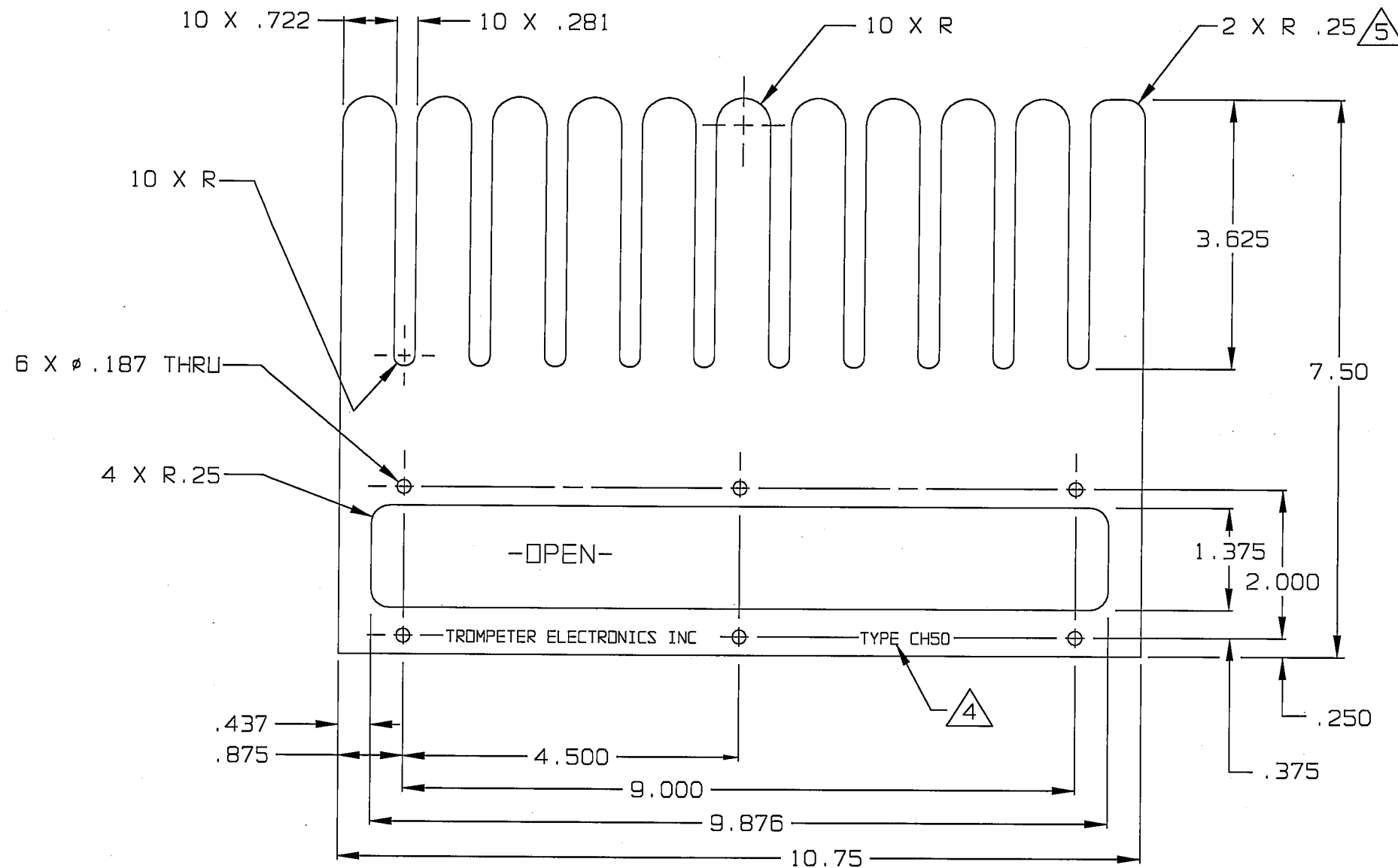


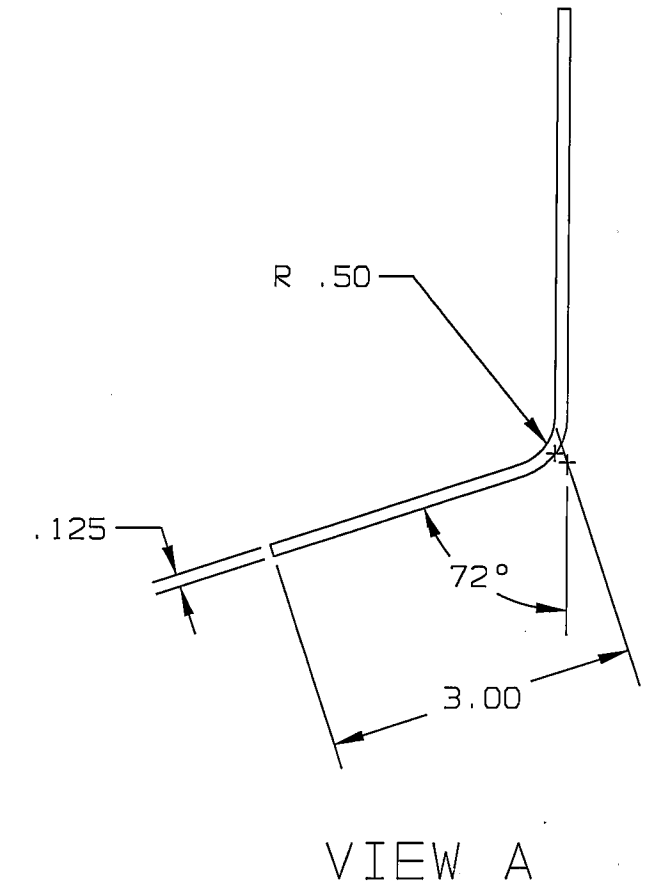
DATA CONTAINED IN THIS DOCUMENT IS PROPRIETARY TO TROMPETER ELECTRONICS INC. AND SHALL NOT BE DISCLOSED, COPIED OR USED FOR PROCUREMENT OR MANUFACTURE WITHOUT EXPRESS WRITTEN PERMISSION OF TROMPETER ELECTRONICS INC.

REVISIONS		2-0014	SH/1
REV	DESCRIPTION	DATE	APPROVED
J	REVISED PER ECD 13892	3/19/01	

**RED INDICATES ORIGINAL**



FLAT PATTERN



VIEW A

6. BEND AS SHOWN IN VIEW A.

ALTERNATE DESIGN ACCEPTABLE

CENTER LETTERING APPROX AS SHOWN, .125 HIGH.

.010 <sup>+.005</sup> / <sub>-.000</sub> DEEP, METAL DIE STAMPED

3. TFS-4

2. FINISH: FINE TEXTURE BLACK  
CARDINAL BK19 POWDERCOAT .0015 - .0025 THICK

STEEL PER ASTM-A-366-96-CQ COLD ROLL  
SHEET COIL-PRIME OR EQUIVALENT

INTERPRET DRAWING PER MIL-STD-100 DIMENSIONS ARE IN INCHES AND INCLUDE FINISH THICKNESS UNLESS OTHERWISE SPECIFIED		TOL: UNLESS SPECIFIED .XX ±.06 .XXX ±.010 .XXXX ±.015 ANGLES ±2°			
DRAWN R L		DATE 3/16/01			
CHECKED 		DATE 3/16/01		FINISH: SEE NOTES: 2 & 3	
APPROVED 		DATE 3/19/01		SIZE <b>B</b>	CAGE CODE <b>14949</b>
DRAWING NO. 2-0014J		DO NOT SCALE DWG		SCALE 1/2	DATE: 10-26-81
NEXT ASSY				SHEET 1 OF 1	REV. J