

DO NOT SCALE ALL DIMENSIONS ARE FOR REFERENCE ONLY

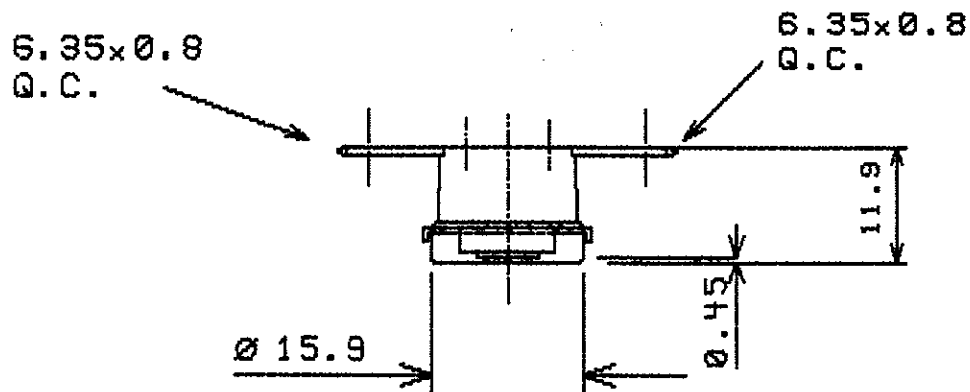
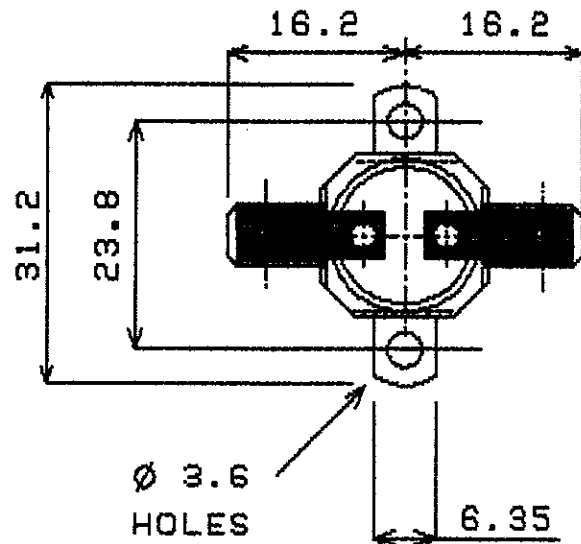
OPERATING CRITERIA

VOLTS: 240 AMPS: 10 HZ:

OPERATING TEMPS. DEG.C

OPEN: 80 ± 3

CLOSE: 65 ± 5



NOTE: ORIENTATION OF BRACKET IS NOT FIXED

ISSUE	A	B								
MOD No	2052	2258								
MTH/YR	3/97	7/98								

CODING REQUIREMENTS
 COLOUR: LASER CODE
 L80C RP 9100 436XXX
 (XXX = DATE CODING)

CAP: 5200 MAT'L: ALUMINIUM
 BRK'T: B2036 MAT'L: STEEL
 PLATING: NICKEL
 TERMINAL: T146 T146
 MATERIAL: BRASS BRASS
 PLATING:

ELMWOOD DEVICE & UNIQUE PART No.
 2455RP-9100-436

ELMWOOD DRG No. ISSUE
 965204 B



ELMWOOD
 SENSORS LTD

DATE OF ISSUE STAMP

7/98