

## iNEMO inertial module kit based on ISM330DHCX



### Features

- User friendly ISM330DHCX board
- Complete ISM330DHCX pin-out for a standard DIL 24 socket
- Double-sided adhesives included for easy mounting on equipment to be measured
- Fully compatible with STEVAL-MKI109V3 motherboard
- RoHS compliant

### Description

The STEVAL-MKI210V2K evaluation kit includes the STEVAL-MKI210V2 main board and the STEVAL-MKIGIBV5 adapter board. The main board embeds the ISM330DHCX 3D accelerometer and 3D gyroscope sensor and is connected to the adapter board through a flat cable to render it compatible with the STEVAL-MKI109V3 motherboard.

The kit provides the complete ISM330DHCX pin-out and comes ready-to-use with the required decoupling capacitors on the  $V_{DD}$  power supply line.

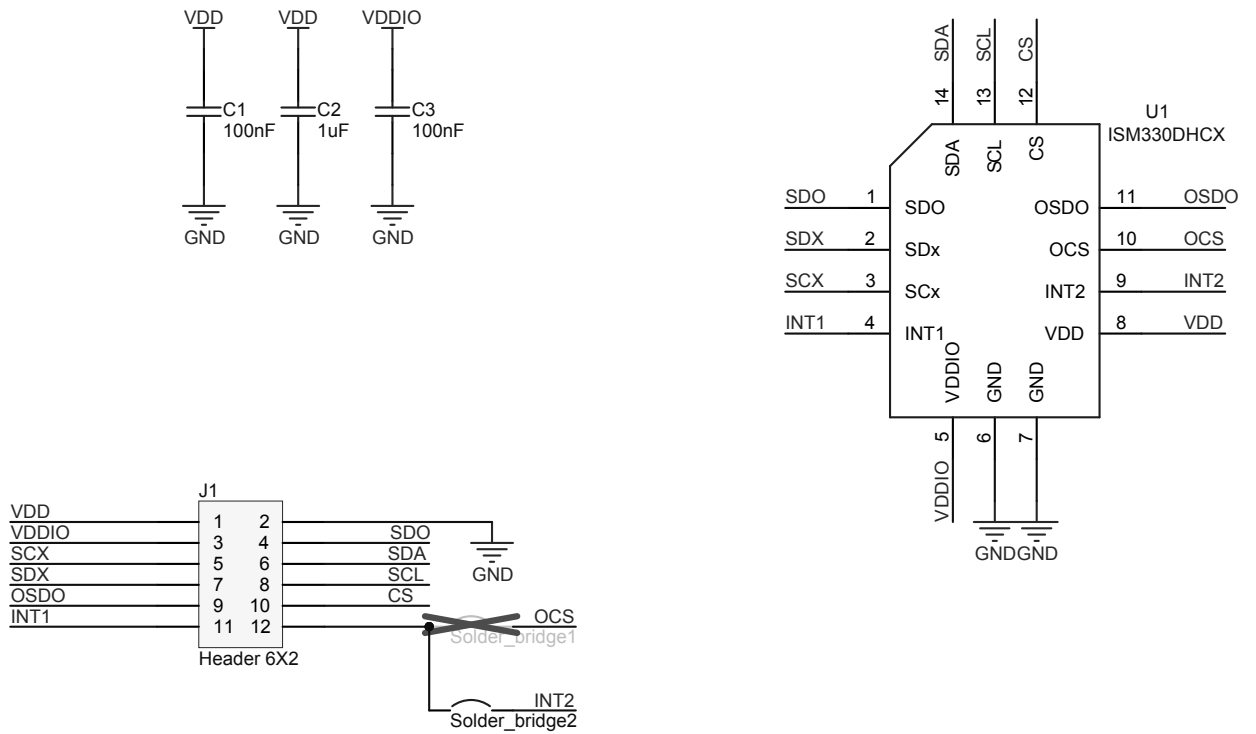
The ISM330DHCX sensor is soldered precisely in the center of the board and double-sided adhesives are provided to allow users to conveniently mount the board on their equipment.

The STEVAL-MKIGIBV5 can be plugged into a standard DIL 24 socket. This adapter is supported by the STEVAL-MKI109V3 motherboard with high performance 32-bit microcontroller functioning as a bridge between the sensor and a PC, on which it is possible to use the downloadable graphical user interface (Unico-GUI), or dedicated software routines for customized applications.

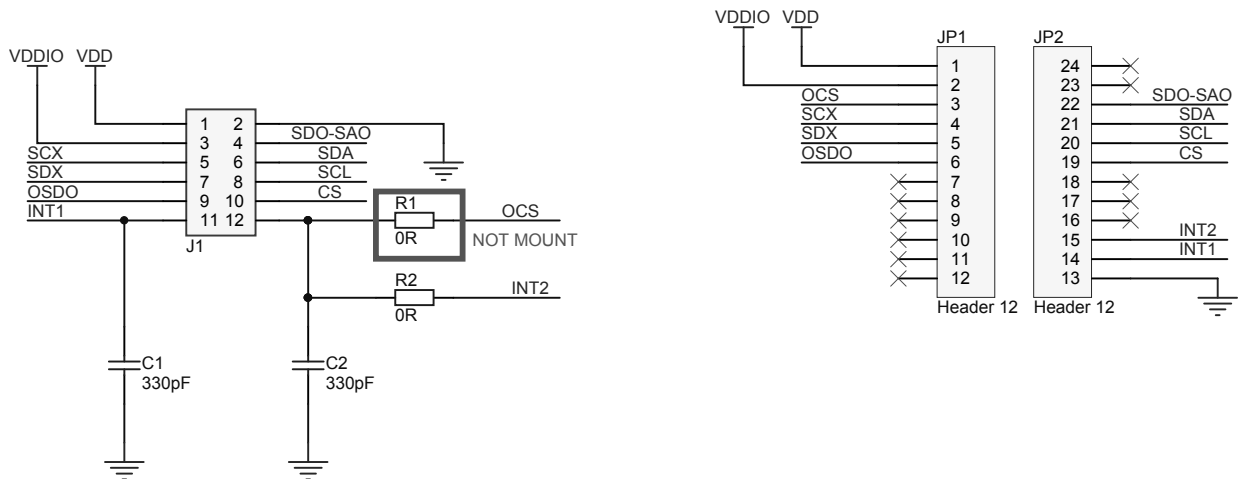
Product summary	
iNEMO inertial module kit based on ISM330DHCX	STEVAL-MKI210V2K
iNEMO inertial module with machine learning core and finite state machine with digital output for industrial applications	ISM330DHCX
Motion MEMS and microphone MEMS expansion board for STM32 Nucleo	X-NUCLEO-IKS02A1
ST MEMS adapter motherboard based on STM32F401VE compatible ST MEMS adapters	STEVAL-MKI109V3
Application	Industrial sensors

# 1 Schematic diagrams

**Figure 1. STEVAL-MKI210V2 circuit schematic**



**Figure 2. STEVAL-MKIGIBV5 circuit schematic**



## Revision history

**Table 1. Document revision history**

Date	Revision	Changes
27-Jul-2021	1	Initial release.

**IMPORTANT NOTICE – PLEASE READ CAREFULLY**

STMicroelectronics NV and its subsidiaries (“ST”) reserve the right to make changes, corrections, enhancements, modifications, and improvements to ST products and/or to this document at any time without notice. Purchasers should obtain the latest relevant information on ST products before placing orders. ST products are sold pursuant to ST’s terms and conditions of sale in place at the time of order acknowledgement.

Purchasers are solely responsible for the choice, selection, and use of ST products and ST assumes no liability for application assistance or the design of Purchasers’ products.

No license, express or implied, to any intellectual property right is granted by ST herein.

Resale of ST products with provisions different from the information set forth herein shall void any warranty granted by ST for such product.

ST and the ST logo are trademarks of ST. For additional information about ST trademarks, please refer to [www.st.com/trademarks](http://www.st.com/trademarks). All other product or service names are the property of their respective owners.

Information in this document supersedes and replaces information previously supplied in any prior versions of this document.

© 2021 STMicroelectronics – All rights reserved