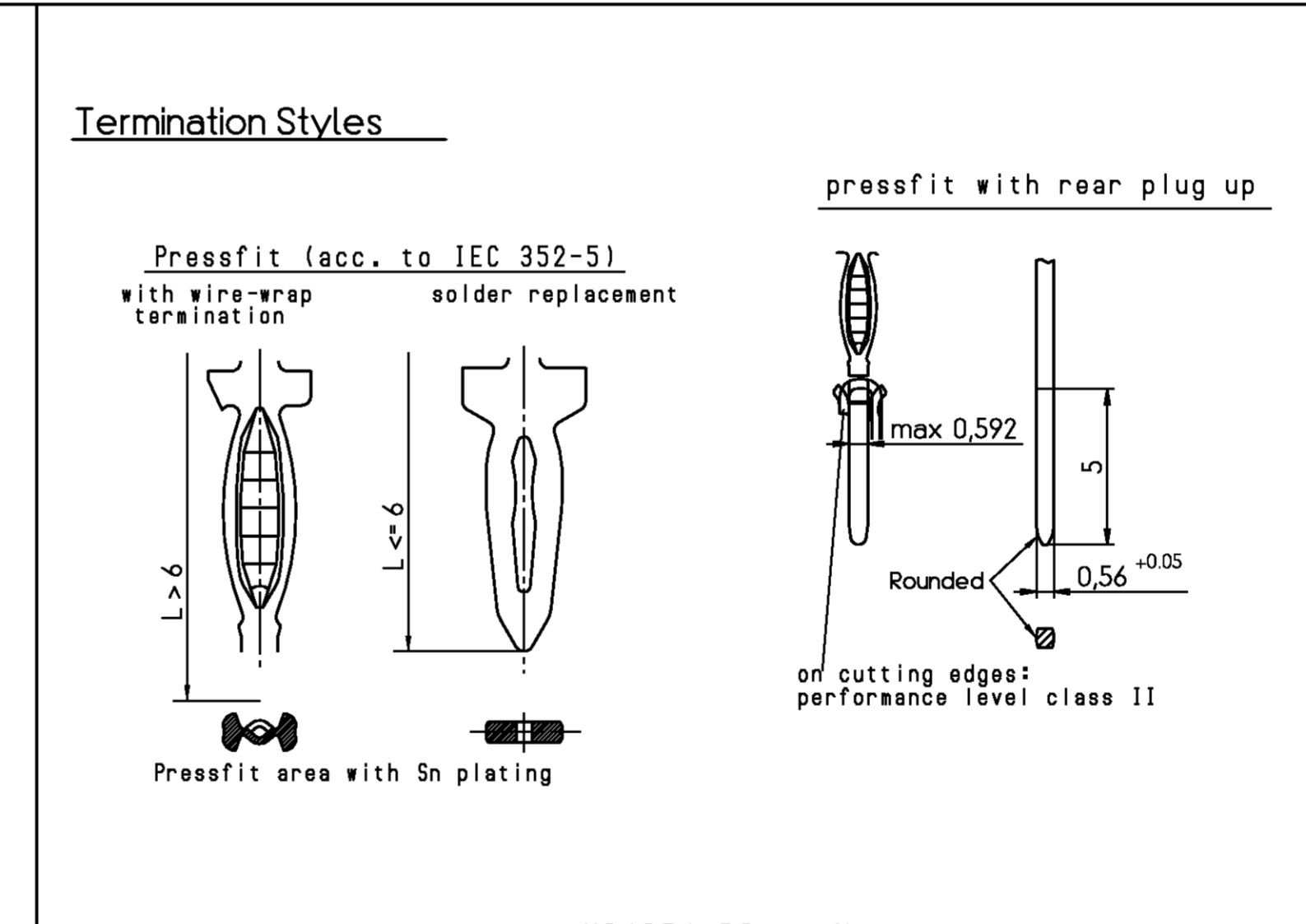
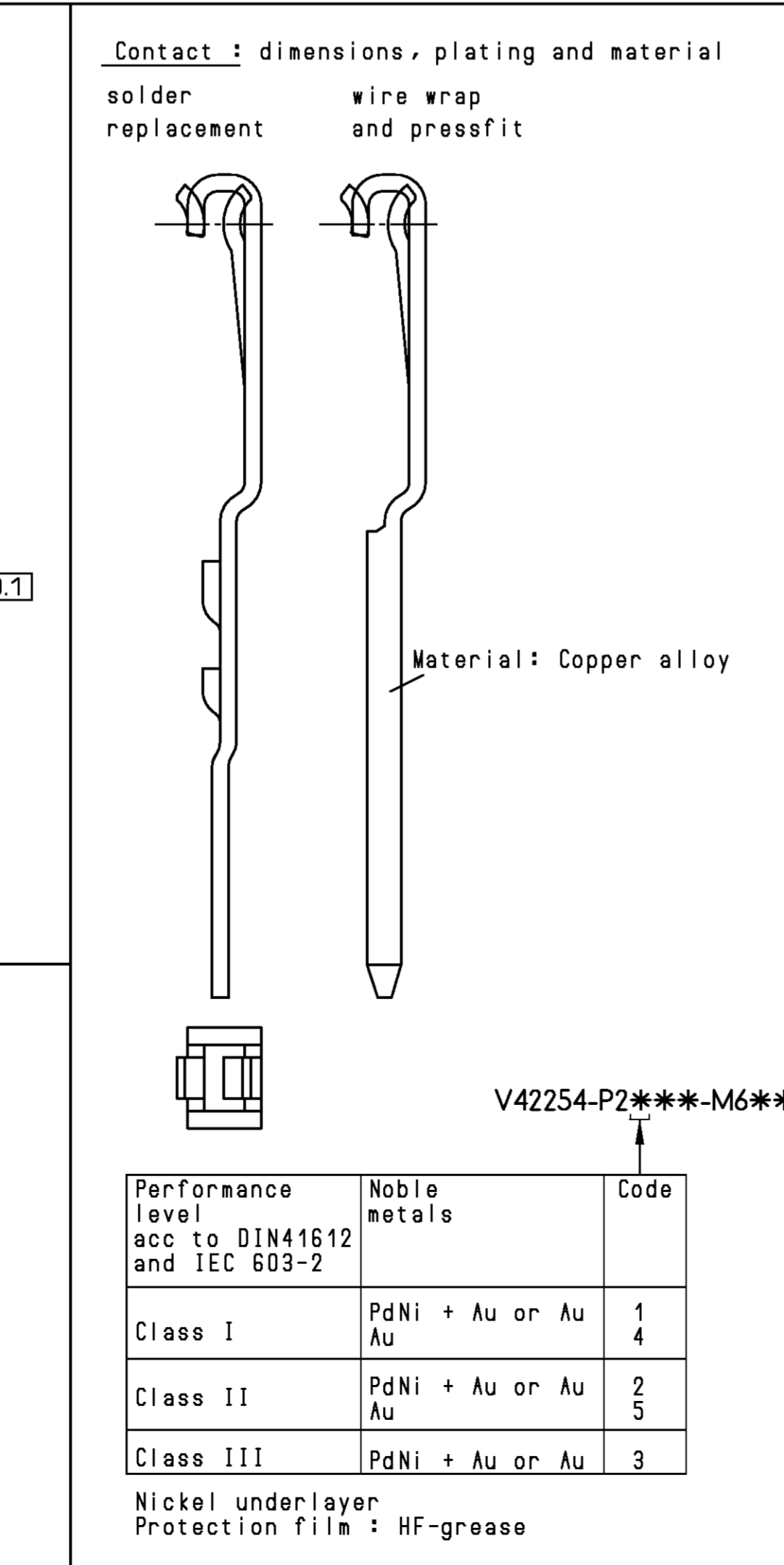


Type	Nr. of pos.	m	a	b	X
M+6SC	42 + max 6 SC	13	33.02	-	a10
M+8SC	24 + max 8 SC	7	17.78	9x2.54 = 22.86	a13



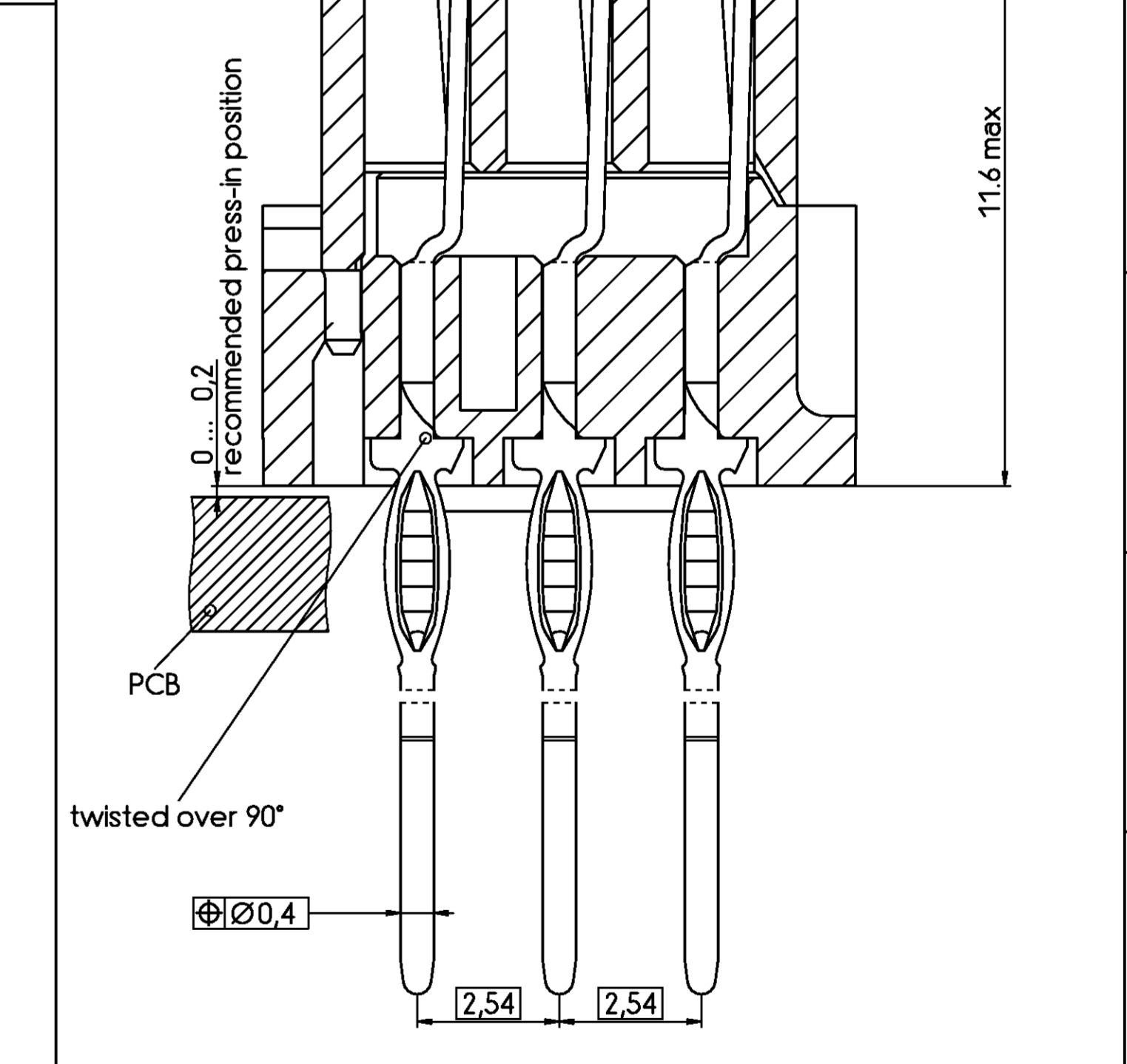
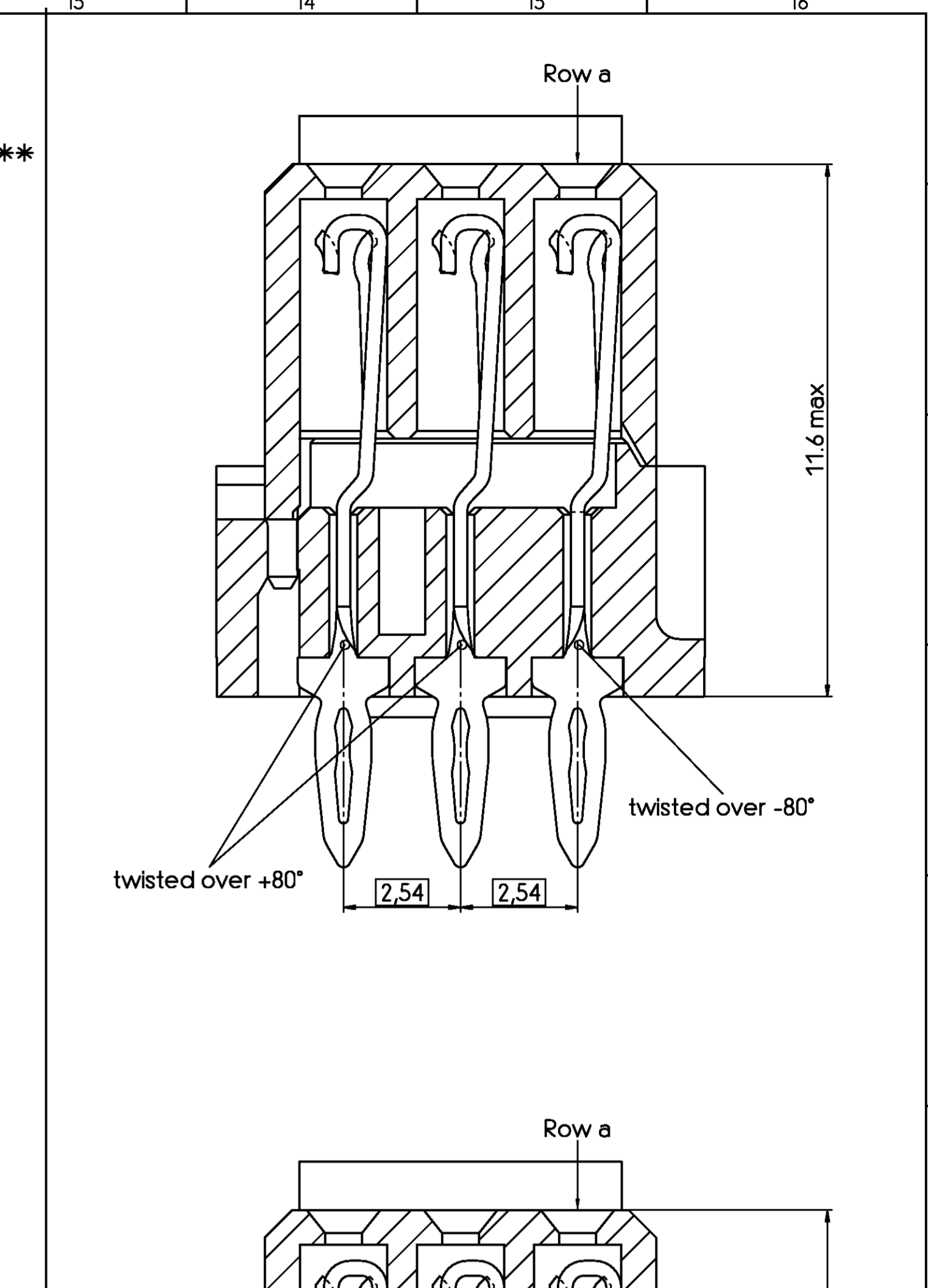
V42254-P2***-M***

	L	Code
	3.7 ±0.3	63
	6.0 ±0.3	70
	13 ±0.5	60
	17 ±0.5	67
	20 ±0.5	68

V42254-P2***-M6***

Performance level acc to DIN41612 and IEC 603-2	Noble metals	Code
Class I	PdNi + Au or Au	1
	Au	4
Class II	PdNi + Au or Au	2
	Au	5
Class III	PdNi + Au or Au	3

Nickel underlayer
Protection film : HF-grease



All female connectors can be pressed-in with a flat stamp (over the connector housing)

V 4 2 2 5 4 - P 2 * * * - M * * *

Code 2 = Basic version
Code 9 = version without flanges
Code for performance level
Code for termination style

Style, no of contacts and contact assignment see page 2

THIS INFORMATION IS CONFIDENTIAL AND PROPRIETARY TO TYCO ELECTRONICS CORPORATION AND ITS WORLDWIDE SUBSIDIARIES AND AFFILIATES. IT MAY NOT BE DISCLOSED TO ANYONE, OTHER THAN TYCO ELECTRONICS CORPORATION, WITHOUT WRITTEN AUTHORIZATION FROM TYCO ELECTRONICS CORPORATION, HARRISBURG, PENNSYLVANIA USA.

TYCO ELECTRONICS CORPORATION		SCALE		WEIGHT	
OCOSTKAMP - BELGIUM		DIMENSIONS		MATERIAL	
REV.	CHANGE ORDER	DATE	APP.	CUSTOMER DRAWING NR.	C/S
A2	ECR-10-003044	02JUN10	MKO	TOLERANCE UNLESS SPECIFIED OTHERWISE	1+
A1	SR-10-0177-03	11AUG03	KV		
A	SR-10-0275-01	22.06.01	BC		
Customer Drawing Nr. C S-1393637-4				1+	



THIS INFORMATION IS CONFIDENTIAL AND PROPRIETARY TO TYCO ELECTRONICS CORPORATION AND ITS WORLDWIDE
 SUBSIDIARIES AND AFFILIATES. IT MAY NOT BE DISCLOSED TO ANYONE, OTHER THAN TYCO ELECTRONICS PERSONNEL,
 WITHOUT WRITTEN AUTHORIZATION FROM TYCO ELECTRONICS CORPORATION, HARRISBURG PENNSYLVANIA USA

PROPRIETARY:

Old Part Number	TE Part Number	Style & Number of Positions	Termination posts	Loaded Rows	Performance Level	Board Locks
V42254-P2263-M240	5-1393637-4	M24+8	3.7mm Press-in terminals	every row , every pitch	2	No
V42254-P2263-M420	5-1393637-7	M42+6	3.7mm Press-in terminals	every row , every pitch	2	No

OBSOLETE

Active part numbers.
 Contact Tyco Electronics for other configuration availability

 TYCO ELECTRONICS CORPORATION OOSTKAMP - BELGIUM		 DIMENSIONS IN MM	SCALE	WEIGHT
DATE 22.06.01 NAME Colpaert DEP. PE COM		TOLERANCE UNLESS SPECIFIED OTHERWISE	MATERIAL PART NAME Receptacle Assembly Eurocard Press fit Type M with 6 and 8 Special Contacts	
A2 SEE SHEET 1		PART NO. V42254-P2***-M4***-7626		SHT. 2-
REV.	CHANGE ORDER	DATE	APP.	Customer Drawing Nr. C 5-1393637-4 OF 2