



Since 1959

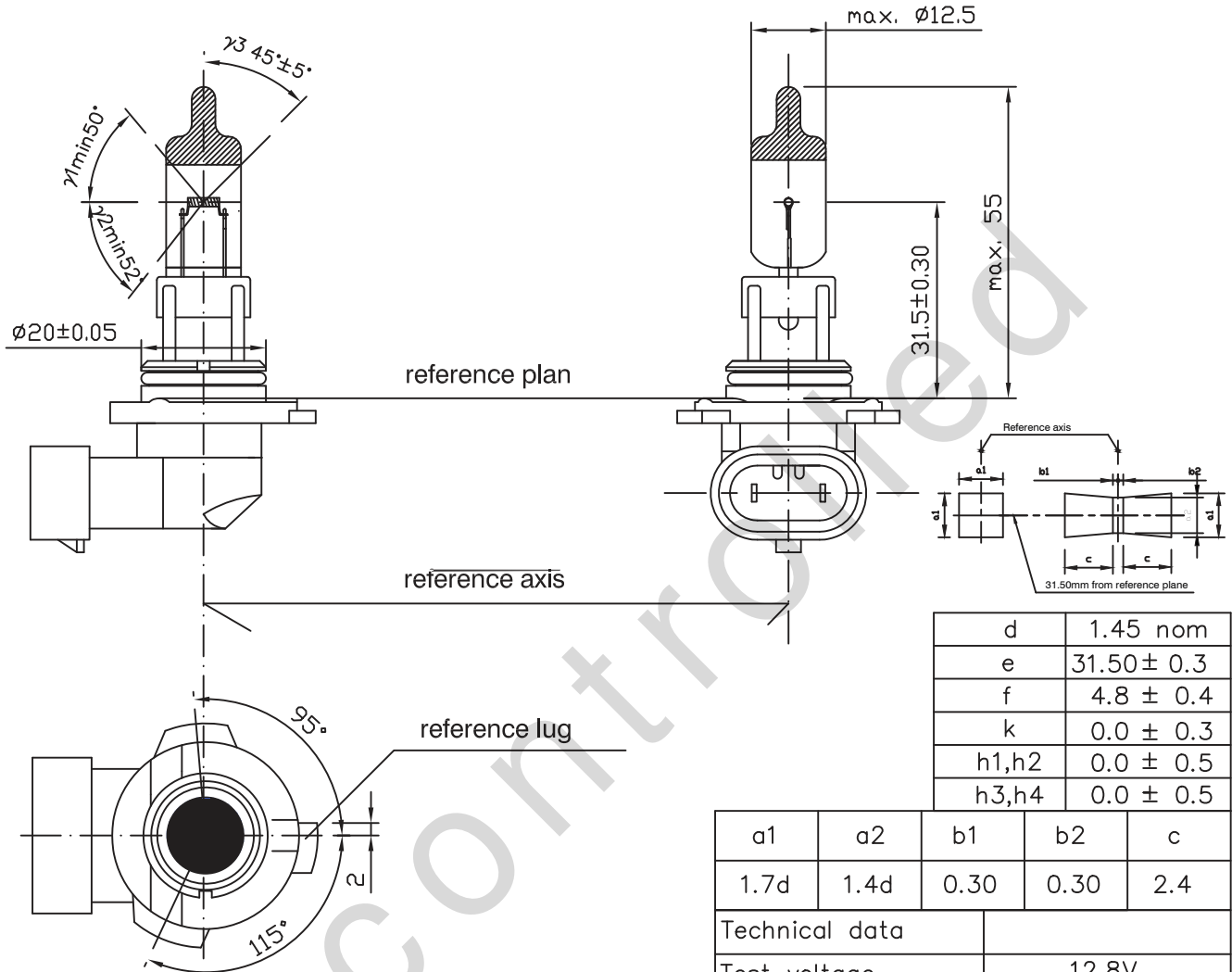
Product Information Sheet

9045 12V 45W

9045

2021. 10. 07 NEW

2015. 03. 18 OLD



d	1.45 nom
e	31.50 ± 0.3
f	4.8 ± 0.4
k	0.0 ± 0.3
h1,h2	0.0 ± 0.5
h3,h4	0.0 ± 0.5

a1	a2	b1	b2	c
1.7d	1.4d	0.30	0.30	2.4

Technical data	
Test voltage	12.8V
Power	48W max
Luminous flux	700lm $\pm 15\%$
Lumen maintenance after 200hr	90 % min
Rated life: ²⁾³⁾	at 14.0V
-B70	550hr
-B50	500hr
-B10	320 hr

Halogen bulb	
9045 12V 45W	
Cap: ¹⁾	P20d/45T
Type:	9045
ECE R37	none
FMVSS108	none
Bulb mat.: Hardglass	

- 1) According to IEC 60061-1 sheet 7004-31-2
- 2) According to SAE J 1383 Annex 5.20
- 3) Switching cycle according to SAE J 1383 5.20.2
- 4) According to IEC 60810 Annex A
- 5) Switching cycle according to IEC 60810 Annex A;4.1.1
- 6) Switching cycle according to IEC 60810 Annex A;4.1.2
- 7) Switching cycle according to IEC 60810 Annex A;4.2

Maximum operating temperature:	bulb 650°C max pinch 400°C max
Operating position	horizontal

Vibration resistance acc. to IEC 60810 Annex B; table B.2	> 20h
---	-------