

4

3

2

1

THIS DRAWING IS UNPUBLISHED.

RELEASED FOR PUBLICATION

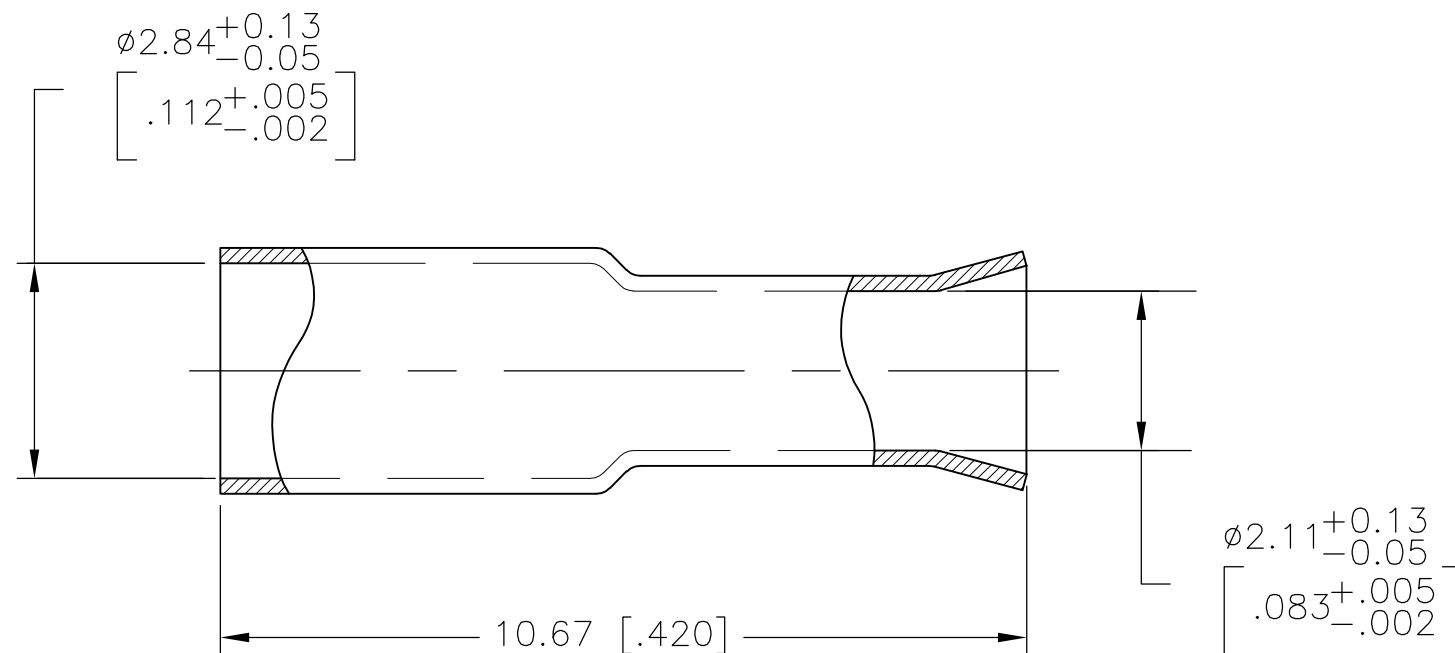
© COPYRIGHT - BY TYCO ELECTRONICS CORPORATION.

ALL INTERNATIONAL RIGHTS RESERVED.

LOC
AJ
DIST
16

REVISIONS

P	LTR	DESCRIPTION	DATE	DWN	APVD
	L	REVISED PER ECO-10-008433	20MAY10	HMR	KW



- 1 COPPER ALLOY
- 2 SILVER PL PER QQ-C-365.
5.08|m [.000200] MIN THICKNESS
- 3 TIN LEAD PL PER ASTM-B-545
0.76|m [.000030] MIN THICKNESS

OBSOLETE	3	2-328667-6
	2	328667
FINISH		PART NUMBER

THIS DRAWING IS A CONTROLLED DOCUMENT.		DWN S.D.KOHL 4-15-91	Tyco Electronics Corporation Harrisburg, PA 17105-3608													
DIMENSIONS: mm [INCHES]		CHK M.E. COWHER 5-14-91	NAME FERRULE													
TOLERANCES UNLESS OTHERWISE SPECIFIED:		APVD M. PHILLIPS 5-16-91	PRODUCT SPEC -	RESTRICTED TO -												
<table border="0"> <tr><td>0 PLC</td><td>± -</td></tr> <tr><td>1 PLC</td><td>± -</td></tr> <tr><td>2 PLC</td><td>± 0.38 [.015]</td></tr> <tr><td>3 PLC</td><td>± -</td></tr> <tr><td>4 PLC</td><td>± -</td></tr> <tr><td>ANGLES</td><td>± -</td></tr> </table>		0 PLC	± -	1 PLC	± -	2 PLC	± 0.38 [.015]	3 PLC	± -	4 PLC	± -	ANGLES	± -	APPLICATION SPEC -	SIZE A3	CAGE CODE 00779
0 PLC	± -															
1 PLC	± -															
2 PLC	± 0.38 [.015]															
3 PLC	± -															
4 PLC	± -															
ANGLES	± -															
MATERIAL SEE NOTES	FINISH SEE NOTES	WEIGHT -	DRAWING NO G-328667	SCALE 10:1												
CUSTOMER DRAWING			SHEET 1 OF 1	REV L												