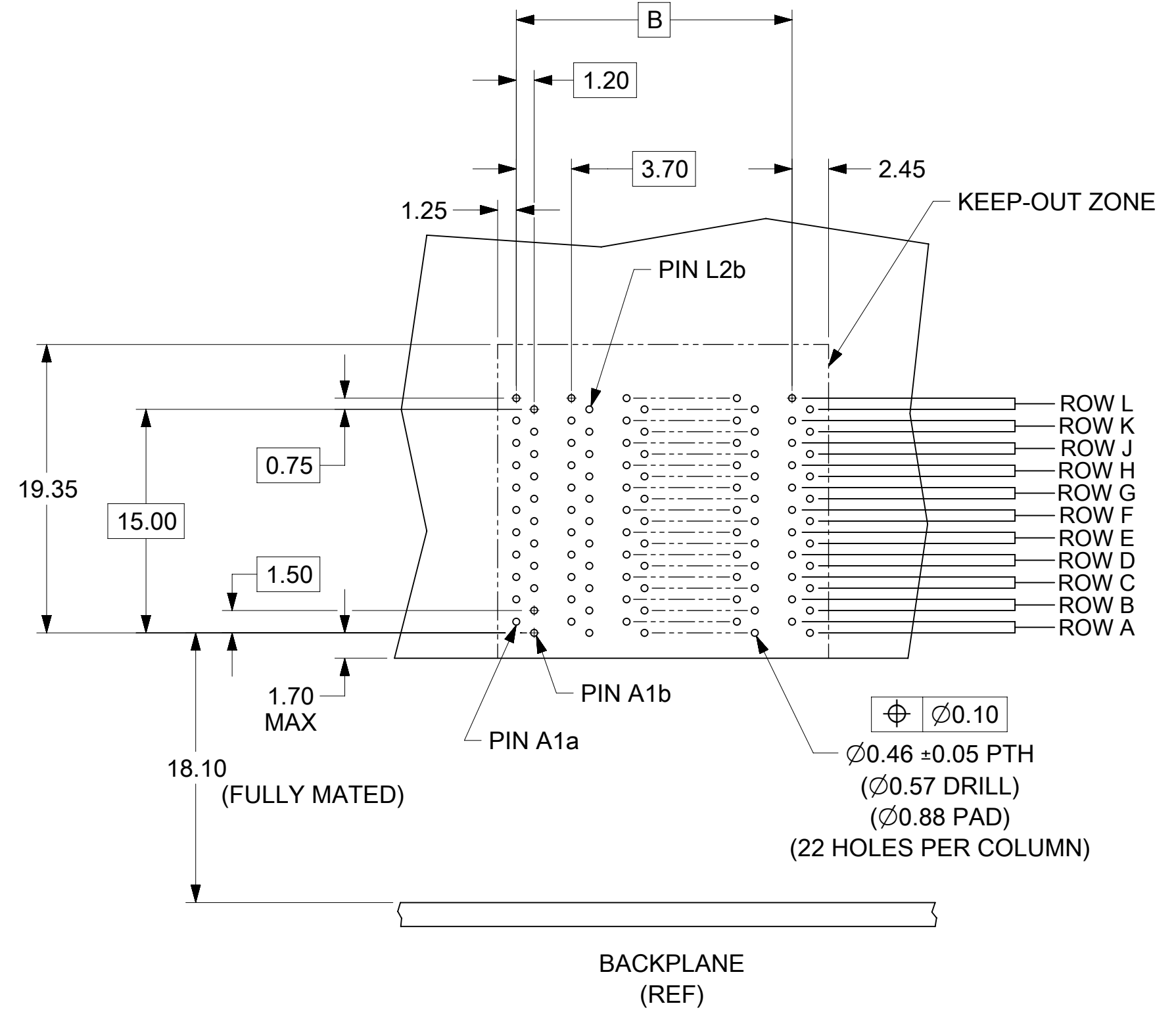
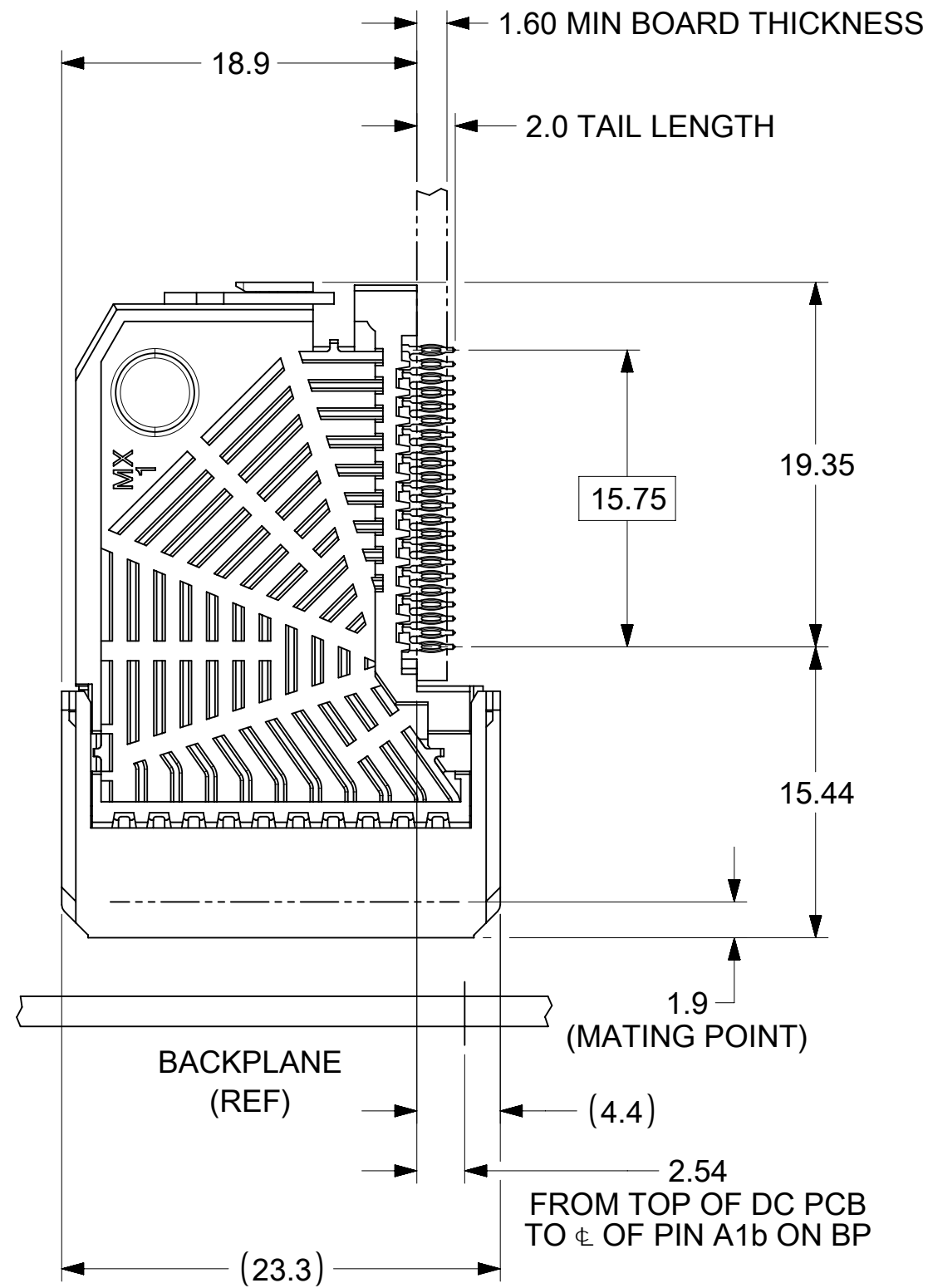
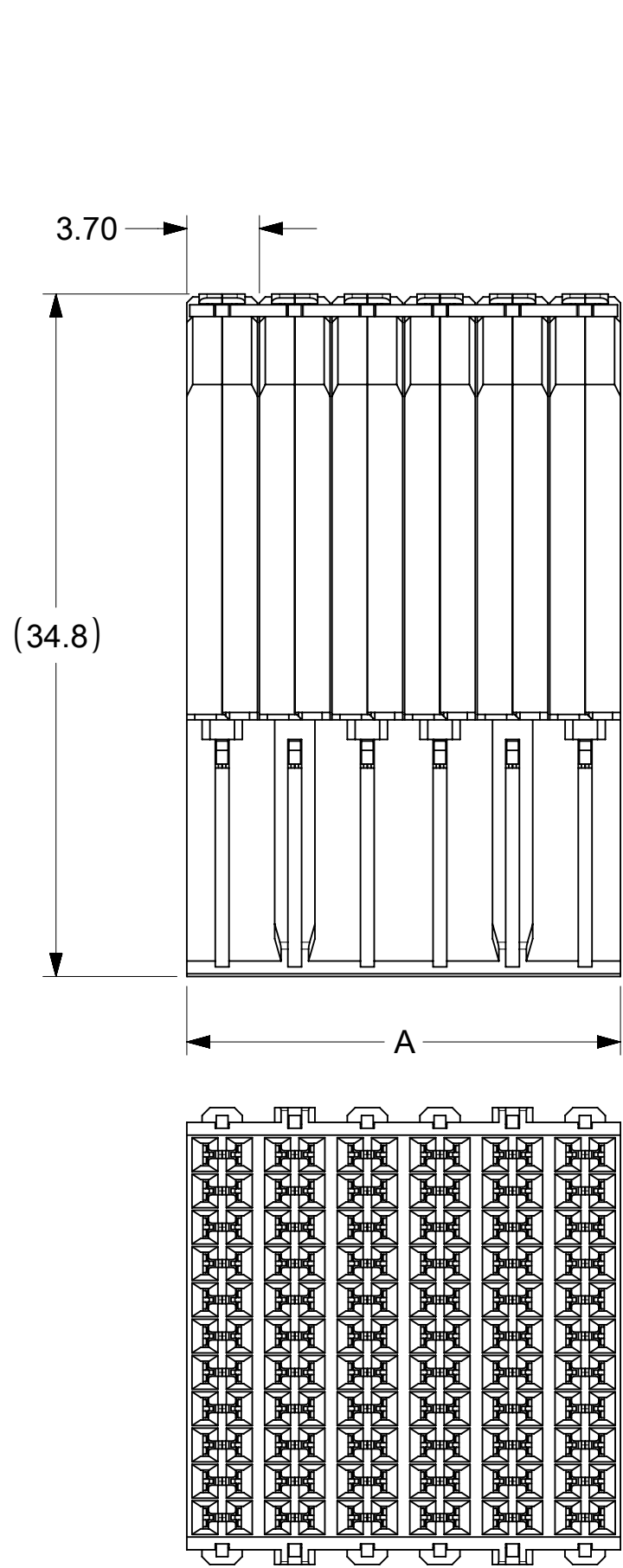
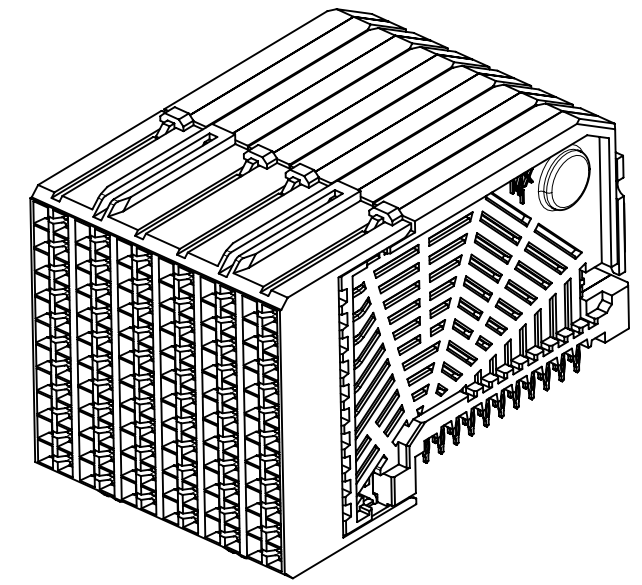


MATERIAL NUMBER	# OF COLUMNS	DIM "A" MAX	DIM "B"
75710-***5	5	18.50	14.80
75710-***6	6	22.20	18.50
75710-***8	8	29.60	25.90
75710-***0	10	37.00	33.30

75710- * 0 * *

MODULE TYPE -- TAIL PLATING TYPE
 UNGUIDED -- MATTE TIN (FORMERLY TIN/LEAD) = 0
 UNGUIDED -- MATTE TIN = 1

OF COLUMNS/PLATING
 05 = 5 COL 30 GOLD
 06 = 6 COL 30 GOLD
 08 = 8 COL 30 GOLD
 10 = 10 COL 30 GOLD
 55 = 5 COL 10 GOLD (MAPS)
 56 = 6 COL 10 GOLD (MAPS)
 58 = 8 COL 10 GOLD (MAPS)
 50 = 10 COL 10 GOLD (MAPS)



DAUGHTERCARD HOLE PATTERN
(CONNECTOR SIDE)

- NOTES:
- MATERIALS: HOUSING - LIQUID CRYSTAL POLYMER (LCP) GLASS-FILLED, UL94V-0
TERMINALS - HIGH PERFORMANCE COPPER ALLOY
 - FINISH: SELECTIVE GOLD IN CONTACT AREA.
SELECTIVE MATTE TIN ON PCB TAILS. NICKEL OVERALL.
 - REFER TO MOLEX PRODUCT SPEC PS-75710-999 FOR PERFORMANCE SPECIFICATIONS.
 - PRODUCT IS PACKAGED PER PK-70873-609.
 - THIS PART CONFORMS TO CLASS B REQUIREMENTS OF COSMETIC SPEC PS-45499-002.
 - MAPS (MOLEX ADVANCED PLATING SYSTEM)

THIS DRAWING CONTAINS INFORMATION THAT IS PROPRIETARY TO MOLEX ELECTRONIC TECHNOLOGIES, LLC AND SHOULD NOT BE USED WITHOUT WRITTEN PERMISSION													
DIMENSION UNITS		SCALE		CURRENT REV DESC: REMASTERED TO NX									
mm		NTS											
GENERAL TOLERANCES (UNLESS SPECIFIED)				EC NO: 671119 DRWN: YOGEEB 2021/06/24 CHK'D: VINODM3 2022/02/03 APPR: CWANG25 2022/02/18 INITIAL REVISION: DRWN: MCARRANZA 2006/06/19 APPR: JLAURX 2006/06/21								I-TRAC DAUGHTERCARD 11 ROW SIGNAL MODULE UNGUIDED SALES DWG	
ANGULAR TOL ± 0.5°								PRODUCT CUSTOMER DRAWING					
4 PLACES ±								DOCUMENT NUMBER		DOC TYPE DOC PART REVISION			
3 PLACES ±								SD-75710-001		PSD 001 E1			
2 PLACES ± 0.13								MATERIAL NUMBER		CUSTOMER			
1 PLACE ± 0.25								SEE TABLE		GENERAL MARKET			
0 PLACES ±								SHEET NUMBER		1 OF 1			
DRAFT WHERE APPLICABLE MUST REMAIN WITHIN DIMENSIONS				THIRD ANGLE PROJECTION		DRAWING		SERIES					
						C-SIZE		75710					