

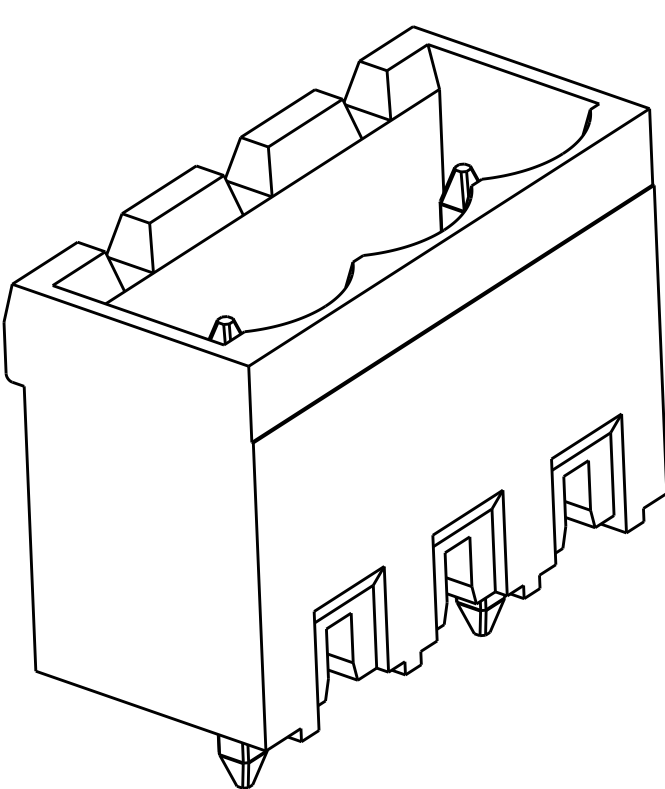
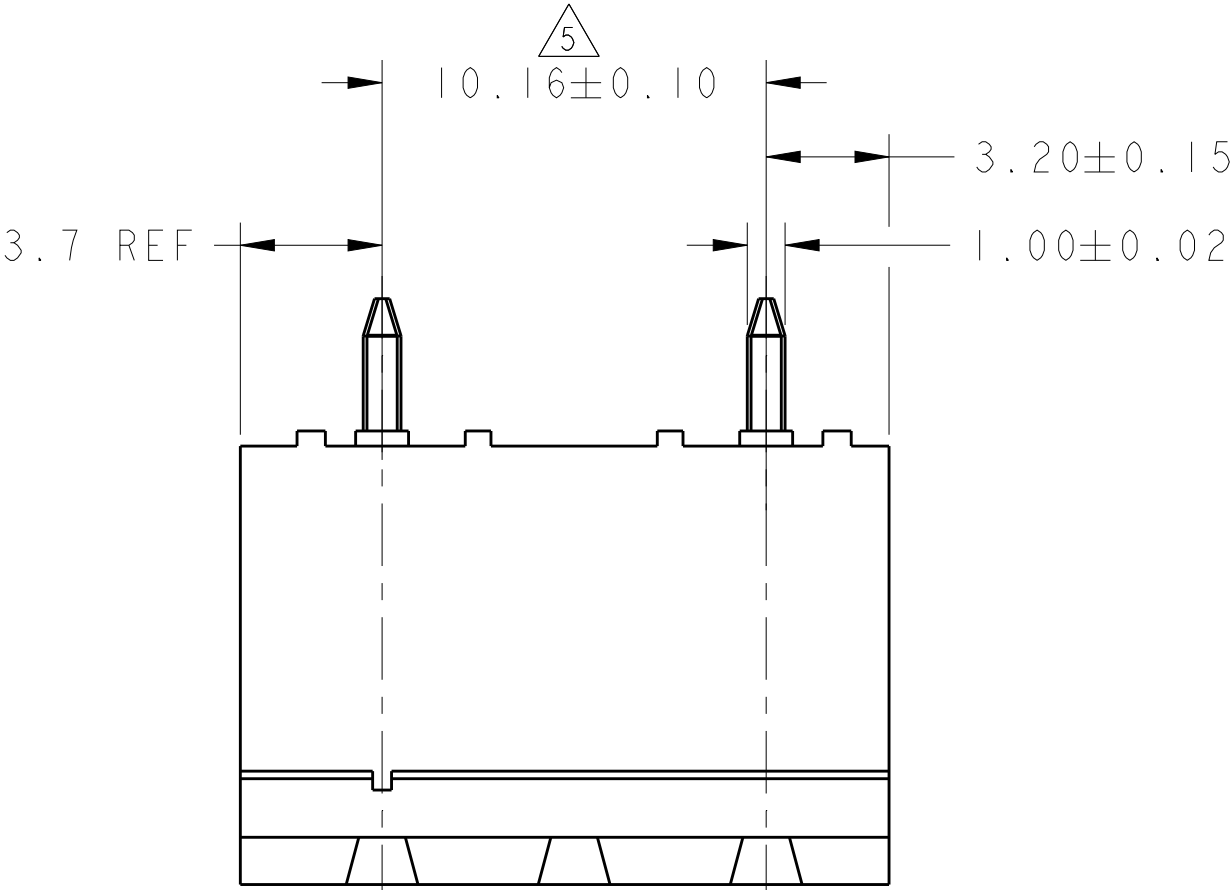
REVISIONS					
P	LTR	DESCRIPTION	DATE	DWN	APVD
	D4	STAND OFF FEATURE MODIFIED AT BOTH THE END	03MAR2020	SS	PS

D

C

B

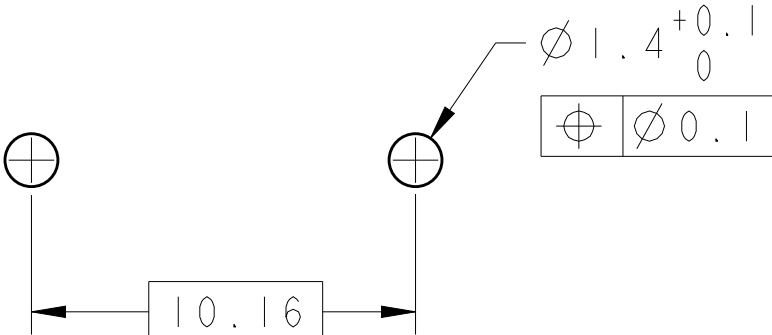
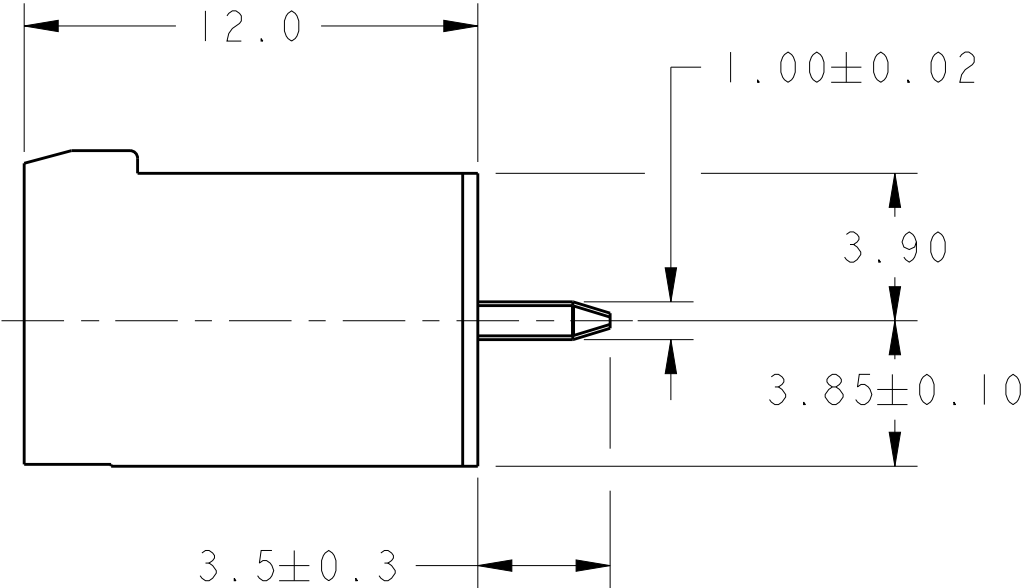
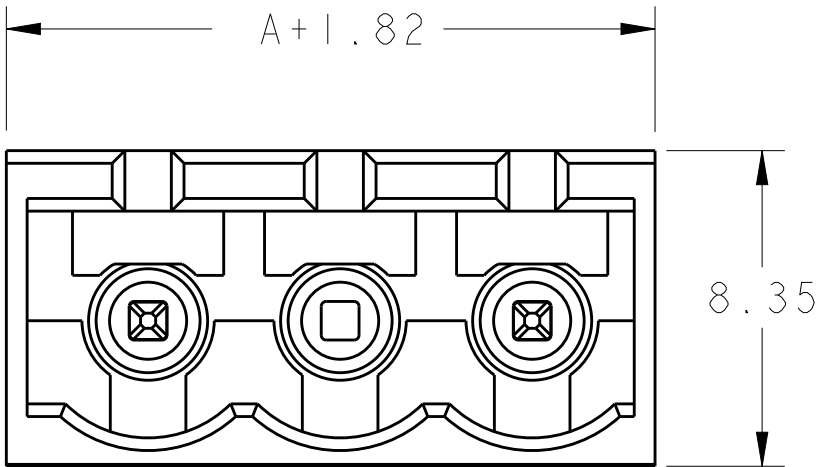
A



282828-2 AS SHOWN

1. MATERIAL AND FINISH:  
HOUSING : PA 66, UL 94-V0, COLOR: SEE TABLE  
TERMINAL : COPPER ALLOY, FINISH: SEE TABLE
2. MECHANICAL  
MIN. PC BOARD HOLES DIAMETER : 1.4 mm  
MAX. PC BOARD THICKNESS : 2.4 mm
3. ELECTRICAL  
MAX. VOLTAGE : 600 V  
MAX CURRENT : 15 A  
CONTACT RESISTANCE : <15 m Ohm  
INSULATION RESISTANCE : >1000 M Ohm (500V DC)
4. OPERATING TEMPERATURE RANGE: -40°C TO +105°C

△ NOT CUMULATIVE TOLERANCE.



RECOMMENDED PC BOARD LAYOUT

BLACK	TIN PLATED	35.56 <sup>+0.25</sup> <sub>-0.15</sub>	4	2-282828-4
GREEN	0.00076 GOLD PLATED	15.24 <sup>+0.20</sup> <sub>-0.10</sub>	2	1-282828-4
GREEN	TIN PLATED	127.00 <sup>+0.40</sup> <sub>-0.25</sub>	13	1-282828-3
GREEN		116.84 <sup>+0.40</sup> <sub>-0.25</sub>	12	1-282828-2
GREEN		106.68 <sup>+0.40</sup> <sub>-0.25</sub>	11	1-282828-1
GREEN		96.52 <sup>+0.40</sup> <sub>-0.25</sub>	10	1-282828-0
GREEN		86.36 <sup>+0.35</sup> <sub>-0.25</sub>	9	282828-9
GREEN		76.20 <sup>+0.35</sup> <sub>-0.25</sub>	8	282828-8
GREEN		66.04 <sup>+0.35</sup> <sub>-0.20</sub>	7	282828-7
GREEN		55.88 <sup>+0.30</sup> <sub>-0.20</sub>	6	282828-6
GREEN		45.72 <sup>+0.30</sup> <sub>-0.20</sub>	5	282828-5
GREEN		35.56 <sup>+0.50</sup> <sub>-0.15</sub>	4	282828-4
GREEN		25.40 <sup>+0.25</sup> <sub>-0.15</sub>	3	282828-3
GREEN		15.24 <sup>+0.20</sup> <sub>-0.10</sub>	2	282828-2
HOUSING COLOR	CONTACT FINISH	A	NO OF POSN	PART NUMBER

THIS DRAWING IS A CONTROLLED DOCUMENT.		DWN E. ZANOLINI 31 JUL 2001	TE Connectivity	
DIMENSIONS: mm		CHK D. BIEVENOUR 31 JUL 2001		
TOLERANCES UNLESS OTHERWISE SPECIFIED: 0 PLC ± 1 PLC ±0.3 2 PLC ±0.25 3 PLC ± 4 PLC ± ANGLES ±2°		APVD D. BIEVENOUR 31 JUL 2001	NAME TERMINAL BLOCK HEADER ASSEMBLY 180 DEG CLOSED ENDS 10.16mm PITCH	
MATERIAL SEE TABLE		PRODUCT SPEC -	SIZE A200779	
FINISH SEE TABLE		APPLICATION SPEC -	CAGE CODE C-282828	
CUSTOMER DRAWING		WEIGHT -	DRAWING NO C-282828	
		SCALE 5:1		SHEET 1 OF 1
		REV D4		