

DO NOT SCALE FROM THIS PRINT

Pb THIS PRODUCT MANUFACTURED WITH LEAD-FREE PROCESSING

CABLE STYLE AND SIGNAL MAP

- 1: 34 AWG TwinAx 100OHM TX TO RX SIGNAL MAP
- 2: 30 AWG TwinAx 100OHM TX TO RX SIGNAL MAP
- 3: 34 AWG TwinAx 100OHM 1:1 SIGNAL MAP
- 4: 30 AWG TwinAx 100OHM 1:1 SIGNAL MAP
- *-5: 34 AWG TwinAx 92.5OHM TX TO RX SIGNAL MAP
- *-6: 34 AWG ThinAx 92.5OHM TX TO RX SIGNAL MAP
- *-7: 34 AWG TwinAx 92.5OHM 1:1 SIGNAL MAP
- *-8: 34 AWG ThinAx 92.5OHM 1:1 SIGNAL MAP

PAIRS PER COLUMN

-4: 4 PAIRS

COLUMNS

- 04, -06, -08,
- 10, -12, -14, -16

END 1 PIN CONFIGURATION

- 1: STANDARD
- *-2: ADVANCED MATE
- *-3: SHORT DETECT
- *-4: ADVANCED MATE AND SHORT DETECT

END 2 KEY
A THRU H: DENOTES POSITION OF FLAT ON KEY
N: NO KEY
(LEAVE BLANK FOR FV GUIDE)

END 2

- L: MALE, LEFT GUIDANCE
- R: MALE, RIGHT GUIDANCE
- FL: FEMALE, RA LEFT GUIDE
- FR: FEMALE, RA RIGHT GUIDE
- FV: FEMALE, VERTICAL (FL,FR,FV ONLY AVAILABLE W/ -3,-4 SIGNAL MAP)

END 2 PIN CONFIGURATION

- 1: STANDARD
- *-2: ADVANCED MATE
- *-3: SHORT DETECT
- *-4: ADVANCED MATE AND SHORT DETECT

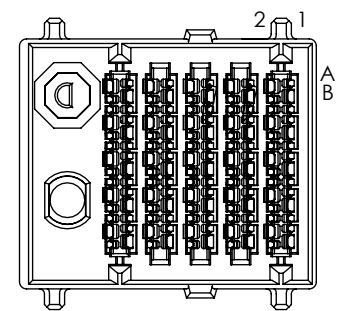
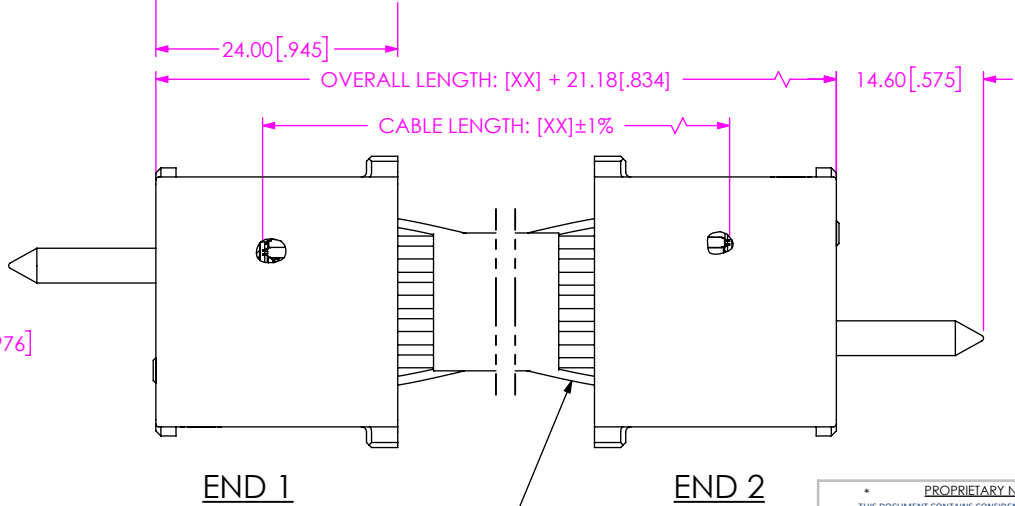
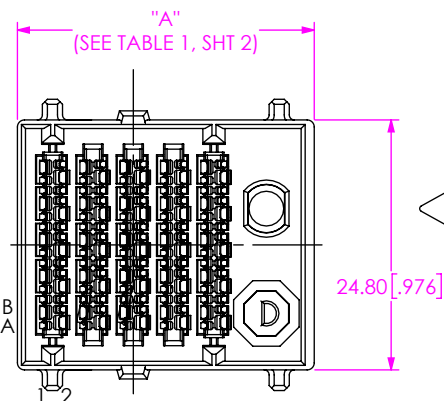
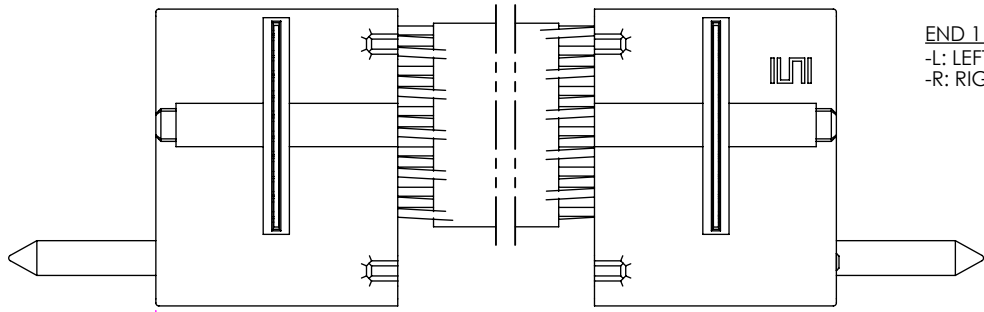
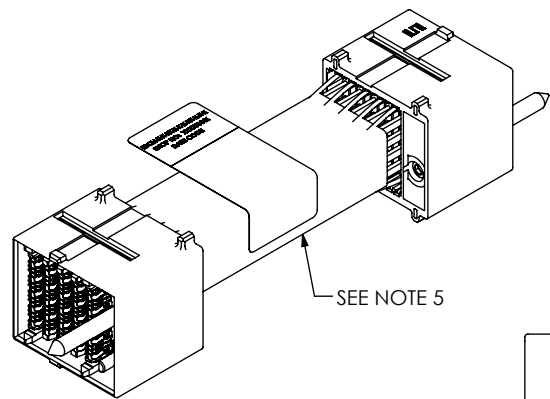
CABLE LENGTH

-XX (INCHES)
(06 INCHES MINIMUM, SEE NOTE 3)

END 1 KEY

A THRU H: DENOTES POSITION OF FLAT ON KEY
N: NO KEY

(* =NOT TOOLED)



SEE NOTE 4

FIG 1
EBCM-X-4-10-1-L-G-XX-1-L-G SHOWN

- NOTES:
1. ALL ASSEMBLIES TO BE 100% HI-POT TESTED AT 300V.
 2. ALL ASSEMBLIES TO BE 100% ELECTRICALLY TESTED FOR SHORTS AND OPENS.
 3. CABLE LENGTHS LONGER THAN 40 INCHES ARE NOT SUPPORTED BY S.I. TEST DATA.
 4. LSX WIRE TO BE 34 AWG CO-AX STANDARD.
 5. EBCM COMES STANDARD WITH SRS CABLE SLEEVING.

PROPRIETARY NOTE
THIS DOCUMENT CONTAINS CONFIDENTIAL AND PROPRIETARY INFORMATION AND ALL DESIGN, MANUFACTURING, REPRODUCTION, USE, PATENT RIGHTS AND SALES RIGHTS ARE EXPRESSLY RESERVED BY SAMTEC, INC. THIS DOCUMENT SHALL NOT BE DISCLOSED, IN WHOLE OR PART, TO ANY UNAUTHORIZED PERSON OR ENTITY NOR REPRODUCED, TRANSFERRED OR INCORPORATED IN ANY OTHER PROJECT IN ANY MANNER WITHOUT THE EXPRESS WRITTEN CONSENT OF SAMTEC, INC.

MATERIAL: DO NOT SCALE DRAWING
INSULATOR: LCP SHEET SCALE: 1:1
SIGNAL & GROUND PINS: COPPER ALLOY
PLATING: 30µ" SELECTIVE GOLD IN CONTACT AREA

samtec
520 PARK EAST BLVD, NEW ALBANY, IN 47150
PHONE: 812-944-6733 FAX: 812-948-5047
e-Mail info@SAMTEC.com code 55322

DESCRIPTION: EXAMAX BACKPLANE CABLE

DWG. NO. EBCM-X-4-XX-X-X-X-XX-X-XX-X

BY: JOE Z 06/02/2017 SHEET 1 OF 7

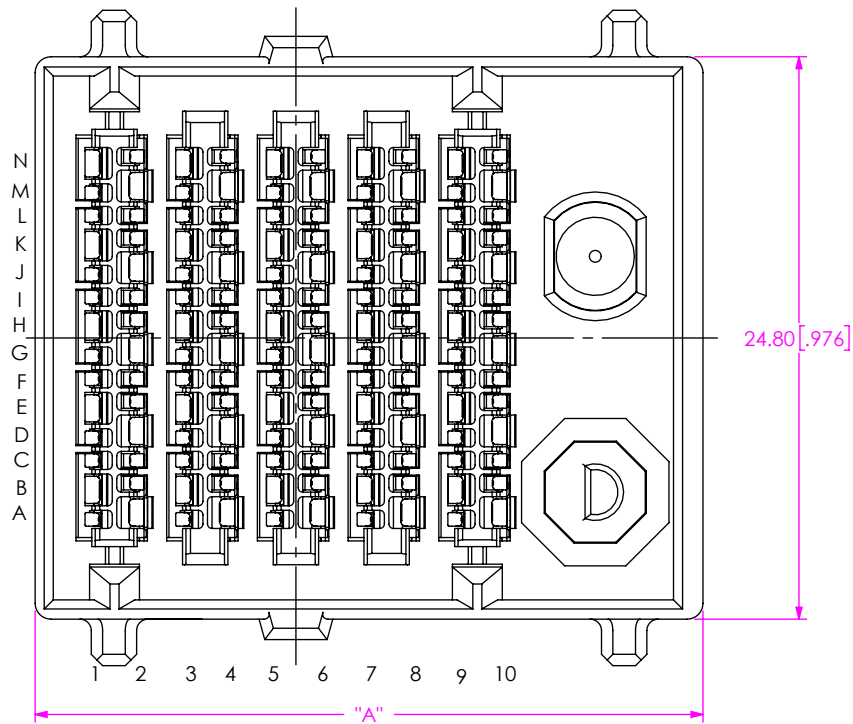


FIG 2
EBCM-X-4-10-1-L-G END 1 DETAILS SHOWN

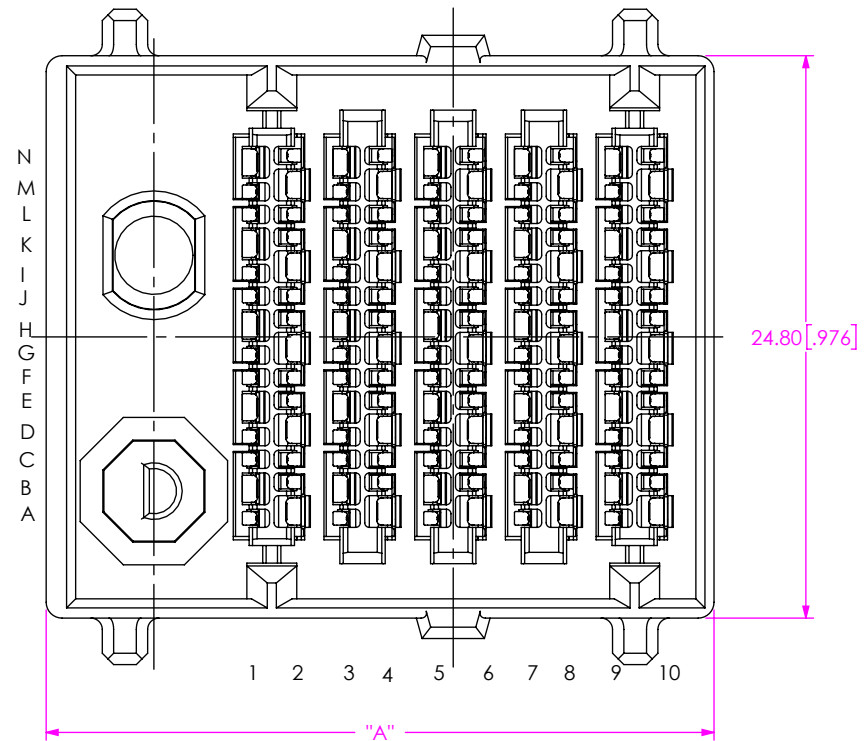


FIG 3
EBCM-X-4-10-1-R-G END 1 DETAILS SHOWN

TABLE 1	
COLUMNS	"A"
-04	17.450 [.6870]
-06	21.450 [.8445]
-08	25.450 [1.0020]
-10	29.450 [1.1594]
-12	33.450 [1.3169]
-14	37.450 [1.4744]
-16	41.450 [1.6319]

F:\DWG\MISC\MKTG\EBCM-X-4-XX-X-X-XX-X-XX-X-MKT.SLDDRW

PROPRIETARY NOTE
 THIS DOCUMENT CONTAINS CONFIDENTIAL AND PROPRIETARY INFORMATION AND ALL DESIGN, MANUFACTURING, REPRODUCTION, USE, PATENT RIGHTS AND SALES RIGHTS ARE EXPRESSLY RESERVED BY SAMTEC, INC. THIS DOCUMENT SHALL NOT BE DISCLOSED, IN WHOLE OR PART, TO ANY UNAUTHORIZED PERSON OR ENTITY NOR REPRODUCED, TRANSFERRED OR INCORPORATED IN ANY OTHER PROJECT IN ANY MANNER WITHOUT THE EXPRESS WRITTEN CONSENT OF SAMTEC, INC.

samtec
 520 PARK EAST BLVD, NEW ALBANY, IN 47150
 PHONE: 812-944-6733 FAX: 812-948-5047
 e-Mail info@SAMTEC.com code 55322

DO NOT SCALE DRAWING

SHEET SCALE: 2.5:1

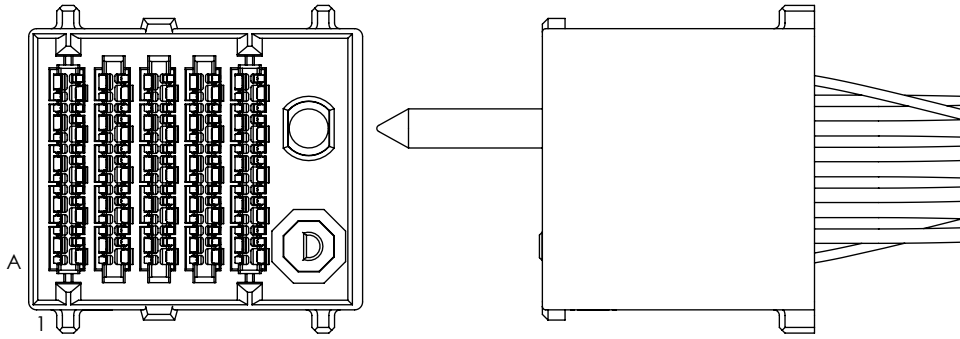
DESCRIPTION:
EXAMAX BACKPLANE CABLE

DWG. NO.
EBCM-X-4-XX-X-X-X-XX-X-XX-X

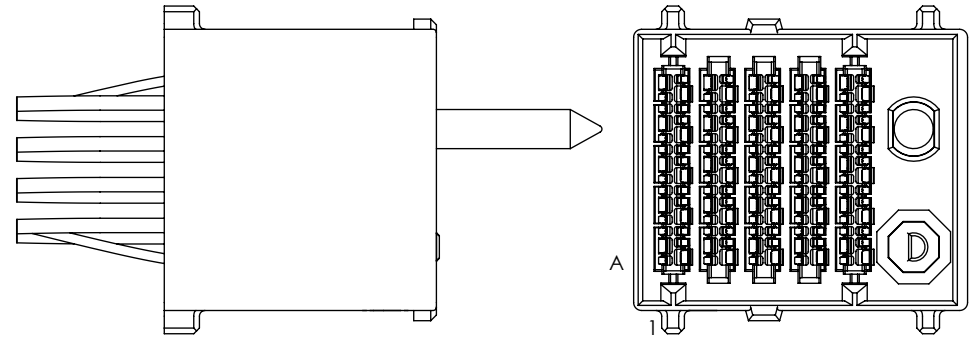
BY: JOE Z 06/02/2017 SHEET 2 OF 7

END 1 ORIENTATIONS

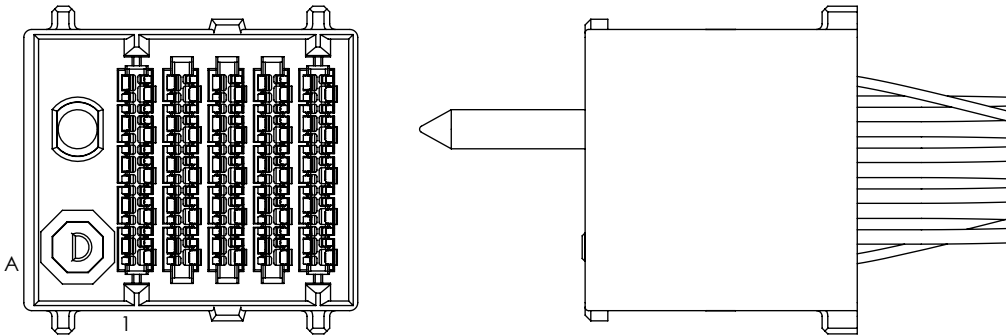
END 2 ORIENTATIONS



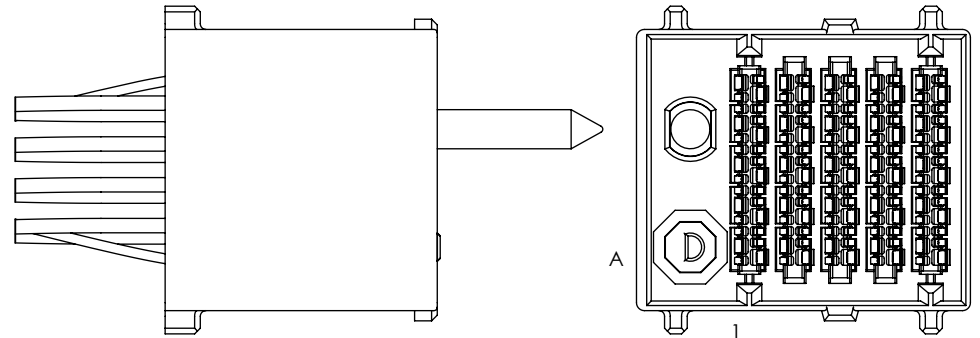
EBCM-X-4-10-X-L-G-XX-X-X-X SHOWN



EBCM-X-4-10-X-X-X-XX-X-L-G SHOWN



EBCM-X-4-10-X-R-G-XX-X-X-X SHOWN



EBCM-X-4-10-X-X-X-XX-X-R-G SHOWN

PROPRIETARY NOTE
 THIS DOCUMENT CONTAINS CONFIDENTIAL AND PROPRIETARY INFORMATION AND ALL DESIGN, MANUFACTURING, REPRODUCTION, USE, PATENT RIGHTS AND SALES RIGHTS ARE EXPRESSLY RESERVED BY SAMTEC, INC. THIS DOCUMENT SHALL NOT BE DISCLOSED, IN WHOLE OR PART, TO ANY UNAUTHORIZED PERSON OR ENTITY NOR REPRODUCED, TRANSFERRED OR INCORPORATED IN ANY OTHER PROJECT IN ANY MANNER WITHOUT THE EXPRESS WRITTEN CONSENT OF SAMTEC, INC.



520 PARK EAST BLVD, NEW ALBANY, IN 47150
 PHONE: 812-944-6733 FAX: 812-948-5047
 e-Mail info@SAMTEC.com code 55322

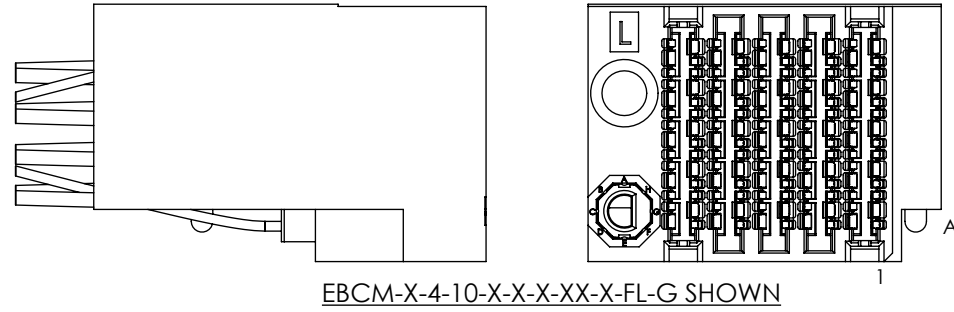
DO NOT SCALE DRAWING

SHEET SCALE: 1:1

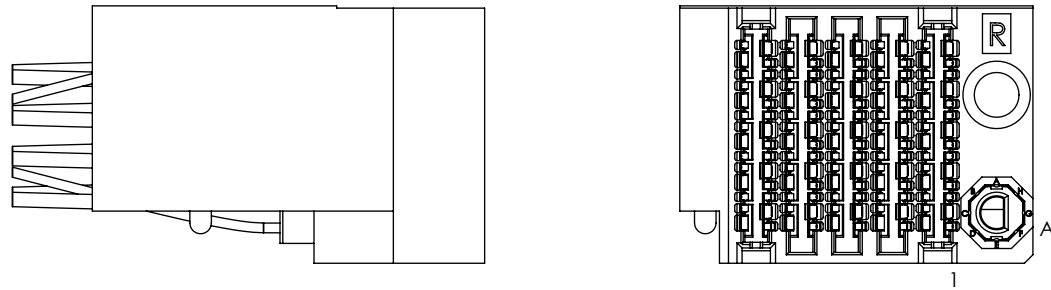
DESCRIPTION:
 EXAMAX BACKPLANE CABLE

DWG. NO.
EBCM-X-4-XX-X-X-X-XX-X-XX-X

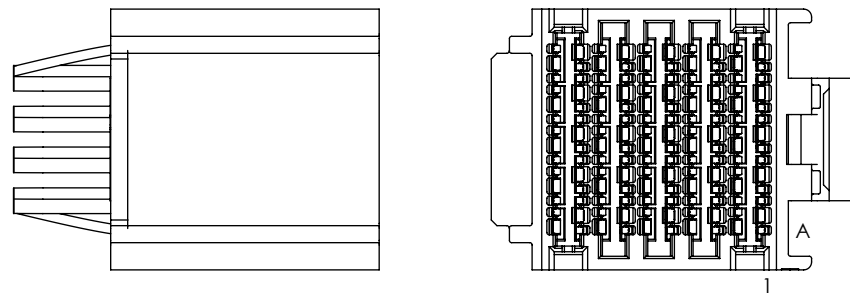
BY: JOE Z 06/02/2017 SHEET 3 OF 7



EBCM-X-4-10-X-X-X-XX-X-FL-G SHOWN



EBCM-X-4-10-X-X-X-XX-X-FR-G SHOWN



EBCM-X-4-10-X-X-X-XX-X-FV SHOWN

PROPRIETARY NOTE
 THIS DOCUMENT CONTAINS CONFIDENTIAL AND PROPRIETARY INFORMATION AND ALL DESIGN, MANUFACTURING, REPRODUCTION, USE, PATENT RIGHTS AND SALES RIGHTS ARE EXPRESSLY RESERVED BY SAMTEC, INC. THIS DOCUMENT SHALL NOT BE DISCLOSED, IN WHOLE OR PART, TO ANY UNAUTHORIZED PERSON OR ENTITY NOR REPRODUCED, TRANSFERRED OR INCORPORATED IN ANY OTHER PROJECT IN ANY MANNER WITHOUT THE EXPRESS WRITTEN CONSENT OF SAMTEC, INC.

DO NOT SCALE DRAWING

SHEET SCALE: 1:1

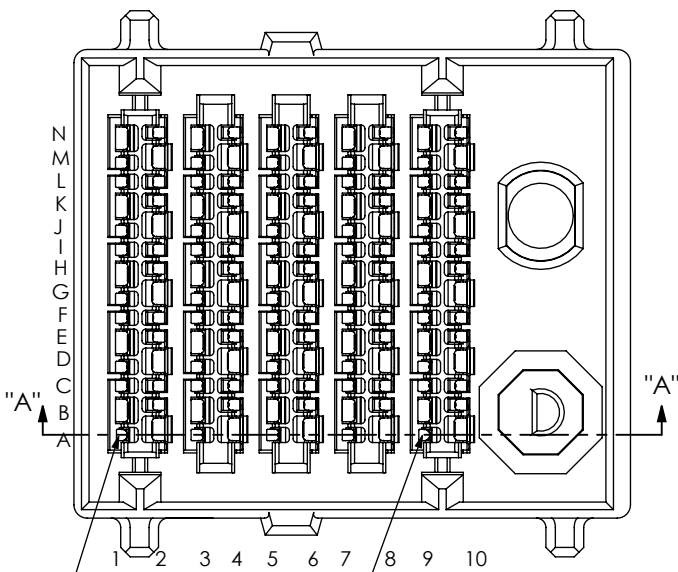


520 PARK EAST BLVD, NEW ALBANY, IN 47150
 PHONE: 812-944-6733 FAX: 812-948-5047
 e-Mail info@SAMTEC.com code 55322

DESCRIPTION:
 EXAMAX BACKPLANE CABLE

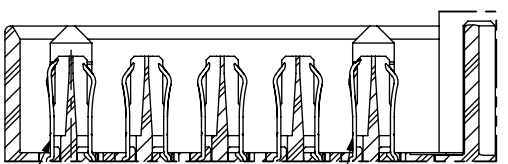
DWG. NO.
EBCM-X-4-XX-X-X-X-XX-X-XX-X

BY: JOE Z 06/02/2017 SHEET 4 OF 7



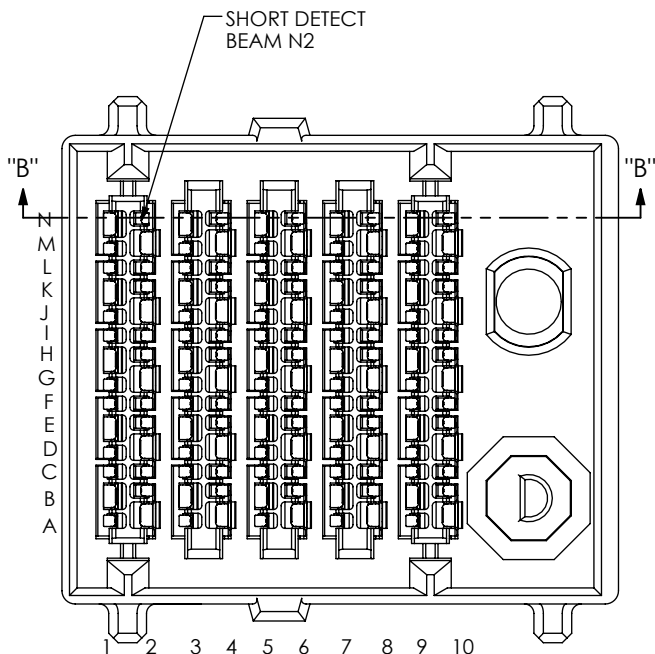
ADVANCE MATE BEAM A1
ADVANCE MATE BEAM A9

FIG 4
EBCM-X-4-10-2-L-G SHOWN
(DIFFERENT AS AHWON, OTHERWISE SAME AS FIG 1)
(NOT TOOLED)



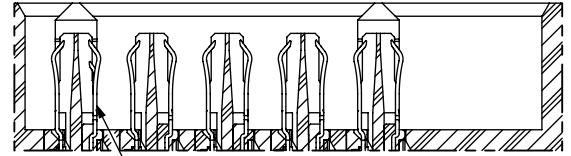
ADVANCE MATE (COLUMN 1 AND N-1 ONLY)

SECTION "A"-"A"
SCALE 2.5 : 1



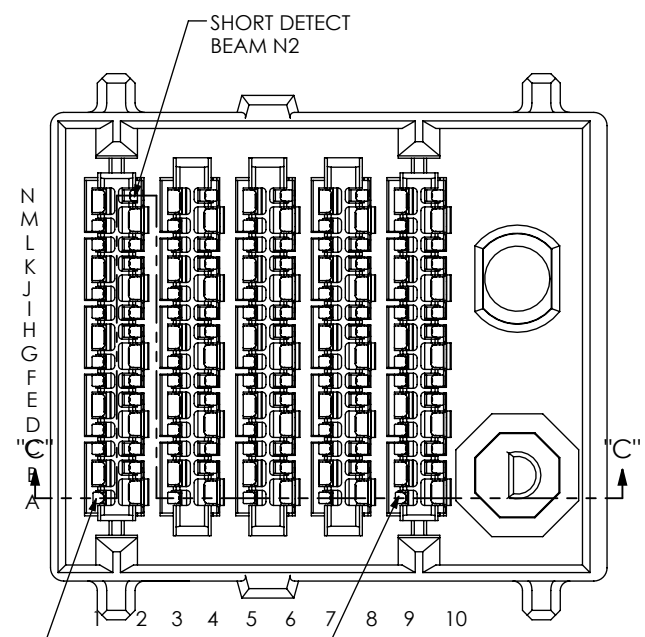
SHORT DETECT BEAM N2

FIG 5
EBCM-X-4-10-3-L-G SHOWN
(DIFFERENT AS AHWON, OTHERWISE SAME AS FIG 1)
(NOT TOOLED)



SHORT DETECT (COLUMN 2 ONLY)

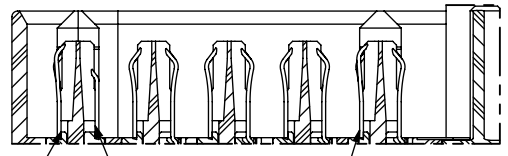
SECTION "B"-"B"
SCALE 2.5 : 1



SHORT DETECT BEAM N2

ADVANCE MATE BEAM A1
ADVANCE MATE BEAM A9

FIG 6
EBCM-X-4-10-4-L-G SHOWN
(DIFFERENT AS AHWON, OTHERWISE SAME AS FIG 1)
(NOT TOOLED)



SHORT DETECT (COLUMN 2 ONLY)
ADVANCE MATE (COLUMN 1 AND N-1 ONLY)

SECTION "C"-"C"
SCALE 2.5 : 1

PROPRIETARY NOTE
THIS DOCUMENT CONTAINS CONFIDENTIAL AND PROPRIETARY INFORMATION AND ALL DESIGN, MANUFACTURING, REPRODUCTION, USE, PATENT RIGHTS AND SALES RIGHTS ARE EXPRESSLY RESERVED BY SAMTEC, INC. THIS DOCUMENT SHALL NOT BE DISCLOSED, IN WHOLE OR PART, TO ANY UNAUTHORIZED PERSON OR ENTITY NOR REPRODUCED, TRANSFERRED OR INCORPORATED IN ANY OTHER PROJECT IN ANY MANNER WITHOUT THE EXPRESS WRITTEN CONSENT OF SAMTEC, INC.



520 PARK EAST BLVD, NEW ALBANY, IN 47150
PHONE: 812-944-6733 FAX: 812-948-5047
e-Mail info@SAMTEC.com code 55322

DO NOT SCALE DRAWING

SHEET SCALE: 2.8:1

DESCRIPTION:
EXAMAX BACKPLANE CABLE

DWG. NO.
EBCM-X-4-XX-X-X-X-XX-X-XX-X

BY: JOE Z 06/02/2017 SHEET 5 OF 7

TABLE 2, 4 PAIR PIN-OUT

ROW	TABLE 2, 4 PAIR PIN-OUT															
N	GND	LS2	GND	LS4	GND	LS6	GND	LS8	GND	LS10	GND	LS12	GND	LS14	GND	LS16
M	TX1+	GND	TX5+	GND	TX9+	GND	TX13+	GND	TX17+	GND	TX21+	GND	TX25+	GND	TX29+	GND
L	TX1-	TX3+	TX5-	TX7+	TX9-	TX11+	TX13-	TX15+	TX17-	TX19+	TX21-	TX23+	TX25-	TX27+	TX29-	TX31+
K	GND	TX3-	GND	TX7-	GND	TX11-	GND	TX15-	GND	TX19-	GND	TX23-	GND	TX27-	GND	TX31-
J	TX2+	GND	TX6+	GND	TX10+	GND	TX14+	GND	TX18+	GND	TX22+	GND	TX26+	GND	TX30+	GND
I	TX2-	TX4+	TX6-	TX8+	TX10-	TX12+	TX14-	TX16+	TX18-	TX20+	TX22-	TX24+	TX26-	TX28+	TX30-	TX32+
H	GND	TX4-	GND	TX8-	GND	TX12-	GND	TX16-	GND	TX20-	GND	TX24-	GND	TX28-	GND	TX32-
G	RX2-	GND	RX6-	GND	RX10-	GND	RX14-	GND	RX18-	GND	RX22-	GND	RX26-	GND	RX30-	GND
F	RX2+	RX4-	RX6+	RX8-	RX10+	RX12-	RX14+	RX16-	RX18+	RX20-	RX22+	RX24-	RX26+	RX28-	RX30+	RX32-
E	GND	RX4+	GND	RX8+	GND	RX12+	GND	RX16+	GND	RX20+	GND	RX24+	GND	RX28+	GND	RX32+
D	RX1-	GND	RX5-	GND	RX9-	GND	RX13-	GND	RX17-	GND	RX21-	GND	RX25-	GND	RX29-	GND
C	RX1+	RX3-	RX5+	RX7-	RX9+	RX11-	RX13+	RX15-	RX17+	RX19-	RX21+	RX23-	RX25+	RX27-	RX29+	RX31-
B	GND	RX3+	GND	RX7+	GND	RX11+	GND	RX15+	GND	RX19+	GND	RX23+	GND	RX27+	GND	RX31+
A	LS1	GND	LS3	GND	LS5	GND	LS7	GND	LS9	GND	LS11	GND	LS13	GND	LS15	GND
	1	2	3	4	5	6	7	8	9	10	11	12	13	14	15	16
WAFER	A	B	A	B	A	B	A	B	A	B	A	B	A	B	A	B

PROPRIETARY NOTE
 THIS DOCUMENT CONTAINS CONFIDENTIAL AND PROPRIETARY INFORMATION AND ALL DESIGN, MANUFACTURING, REPRODUCTION, USE, PATENT RIGHTS AND SALES RIGHTS ARE EXPRESSLY RESERVED BY SAMTEC, INC. THIS DOCUMENT SHALL NOT BE DISCLOSED, IN WHOLE OR PART, TO ANY UNAUTHORIZED PERSON OR ENTITY NOR REPRODUCED, TRANSFERRED OR INCORPORATED IN ANY OTHER PROJECT IN ANY MANNER WITHOUT THE EXPRESS WRITTEN CONSENT OF SAMTEC, INC.



520 PARK EAST BLVD, NEW ALBANY, IN 47150
 PHONE: 812-944-6733 FAX: 812-948-5047
 e-Mail info@SAMTEC.com code 55322

DO NOT SCALE DRAWING

SHEET SCALE: 3:1

DESCRIPTION: EXAMAX BACKPLANE CABLE

DWG. NO. EBCM-X-4-XX-X-X-X-XX-X-XX-X

BY: JOE Z 06/02/2017 SHEET 6 OF 7

4 PAIR SIGNAL MAPPING FOR -1 AND -2 SIGNAL MAP OPTIONS

ODD NUMBER COLUMNS					EVEN NUMBER COLUMNS				
END 1			END 2		END 1			END 2	
POSITION	SYMBOL		POSITION	SYMBOL	POSITION	SYMBOL		POSITION	SYMBOL
N1	GND	PAIR	B1	GND	N2	LS2	PAIR	N2	LS2
M1	TX1+		C1	RX1+	M2	GND		A2	GND
L1	TX1-	PAIR	D1	RX1-	L2	TX3+	PAIR	B2	RX3+
K1	GND		E1	GND	K2	TX3-		C2	RX3-
J1	TX2+	PAIR	F1	RX2+	J2	GND	PAIR	D2	GND
I1	TX2-		G1	RX2-	I2	TX4+		E2	RX4+
H1	GND	PAIR	H1	GND	H2	TX4-	PAIR	F2	RX4-
G1	RX2-		I1	TX2-	G2	GND		G2	GND
F1	RX2+	PAIR	J1	TX2+	F2	RX4-	PAIR	H2	TX4-
E1	GND		K1	GND	E2	RX4+		I2	TX4+
D1	RX1-	PAIR	L1	TX1-	D2	GND	PAIR	J2	GND
C1	RX1+		M1	TX1+	C2	RX3-		K2	TX3-
B1	GND	PAIR	N1	GND	B2	RX3+	PAIR	L2	TX3+
A1	LS1		A1	LS1	A2	GND		M2	GND

ALL GROUNDS ARE COMMON AND TIED TO CABLE SHIELD

4 PAIR SIGNAL MAPPING FOR -3 AND -4 SIGNAL MAP OPTIONS

ODD NUMBER COLUMNS					EVEN NUMBER COLUMNS				
END 1			END 2		END 1			END 2	
POSITION	SYMBOL		POSITION	SYMBOL	POSITION	SYMBOL		POSITION	SYMBOL
N1	GND	PAIR	N1	GND	N2	LS2	PAIR	N2	LS2
M1	TX1+		M1	TX1+	M2	GND		M2	GND
L1	TX1-	PAIR	L1	TX1-	L2	TX3+	PAIR	L2	TX3+
K1	GND		K1	GND	K2	TX3-		K2	TX3-
J1	TX2+	PAIR	J1	TX2+	J2	GND	PAIR	J2	GND
I1	TX2-		I1	TX2-	I2	TX4+		I2	TX4+
H1	GND	PAIR	H1	GND	H2	TX4-	PAIR	H2	TX4-
G1	RX2-		G1	RX2-	G2	GND		G2	GND
F1	RX2+	PAIR	F1	RX2+	F2	RX4-	PAIR	F2	RX4-
E1	GND		E1	GND	E2	RX4+		E2	RX4+
D1	RX1-	PAIR	D1	RX1-	D2	GND	PAIR	D2	GND
C1	RX1+		C1	RX1+	C2	RX3-		C2	RX3-
B1	GND	PAIR	B1	GND	B2	RX3+	PAIR	B2	RX3+
A1	LS1		A1	LS1	A2	GND		A2	GND

ALL GROUNDS ARE COMMON AND TIED TO CABLE SHIELD

PROPRIETARY NOTE
 THIS DOCUMENT CONTAINS CONFIDENTIAL AND PROPRIETARY INFORMATION AND ALL DESIGN, MANUFACTURING, REPRODUCTION, USE, PATENT RIGHTS AND SALES RIGHTS ARE EXPRESSLY RESERVED BY SAMTEC, INC. THIS DOCUMENT SHALL NOT BE DISCLOSED, IN WHOLE OR PART, TO ANY UNAUTHORIZED PERSON OR ENTITY NOR REPRODUCED, TRANSFERRED OR INCORPORATED IN ANY OTHER PROJECT IN ANY MANNER WITHOUT THE EXPRESS WRITTEN CONSENT OF SAMTEC, INC.



520 PARK EAST BLVD, NEW ALBANY, IN 47150
 PHONE: 812-944-6733 FAX: 812-948-5047
 e-Mail info@SAMTEC.com code 55322

DO NOT SCALE DRAWING

SHEET SCALE: 3:1

DESCRIPTION: EXAMAX BACKPLANE CABLE

DWG. NO. EBCM-X-4-XX-X-X-X-XX-X-XX-X

BY: JOE Z 06/02/2017 SHEET 7 OF 7