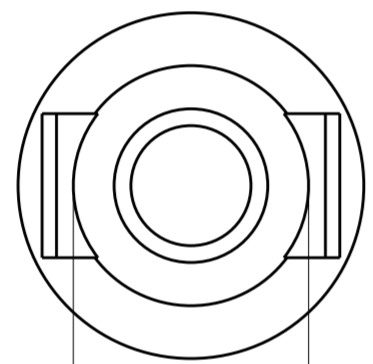


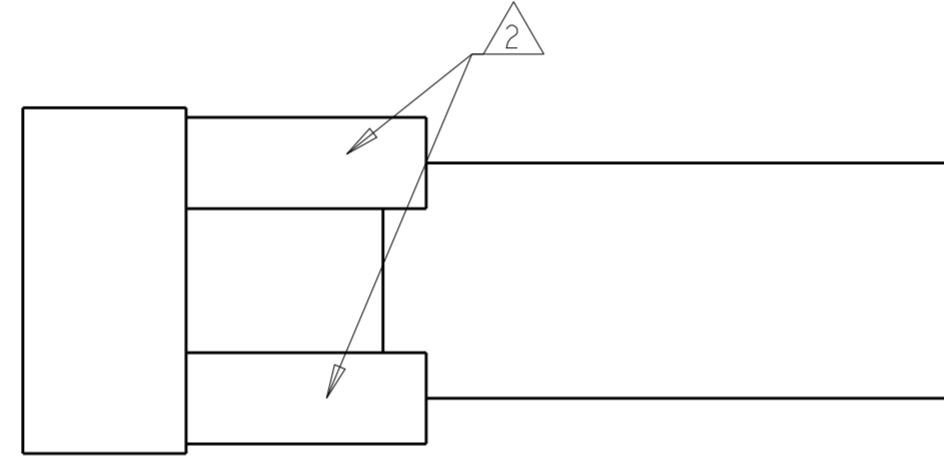
THIS DRAWING IS UNPUBLISHED. RELEASED FOR PUBLICATION 20
 © COPYRIGHT 20 BY TYCO ELECTRONICS CORPORATION. ALL RIGHTS RESERVED.

LOC	DIST	REVISIONS					
CM	00	P	LTR	DESCRIPTION	DATE	DWN	APVD
		G		REV PER ECO-12-018584	22OCT12	JR	SM

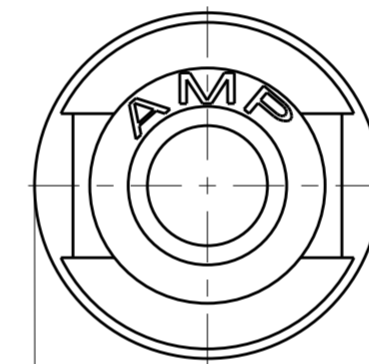
- ① MATERIAL - NYLON UL94V-2 (NATURAL).
- ② MARKING FOR UL LOGO AND CSA LOGO LOCATED APPROXIMATELY AS SHOWN
- ③ MATERIAL - NYLON UL 94V-0 (NATURAL).
- ④ MATERIAL - NYLON, UL94V-2, NATURAL
- ⑤ HOUSING MATERIAL MEETS MINIMUM GLOW WIRE FLAMMABILITY INDEX OF 850°C PER IEC 60695-2-12 AND MINIMUM GLOW WIRE IGNITION TEMP OF 750°C PER IEC 60695-2-13.
- ⑥ PRELIMINARY - NOT FOR PRODUCTION



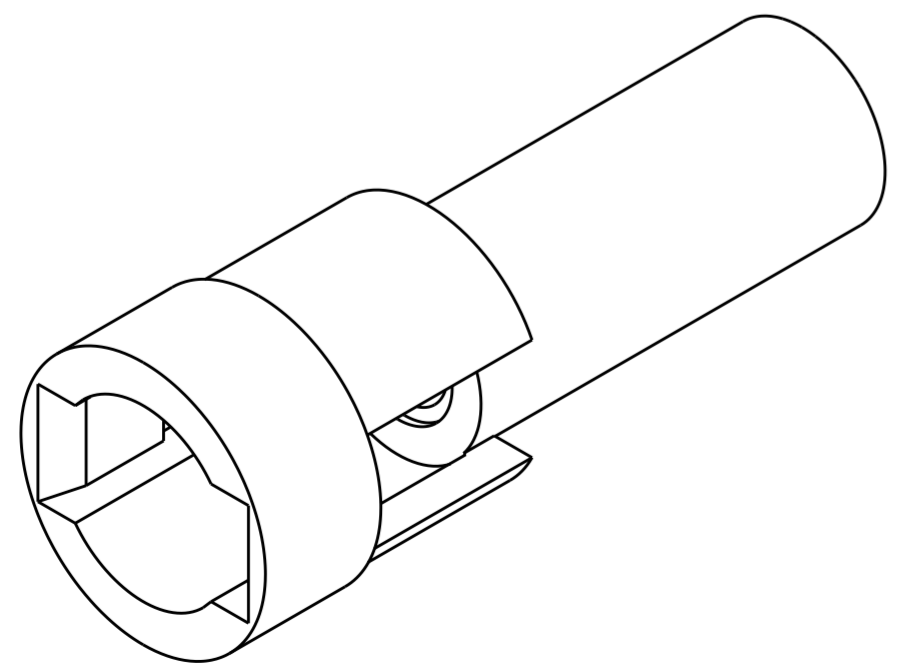
6.22 MIN
[.245]



24.64±0.25
[.970±.010]



∅9.14±0.25
[.360±.010]



⑤	④	.031 IN ³	⑥ 770064-3
	③	.031 IN ³	770064-2
	①	.031 IN ³	770064-1
	MATERIAL	VOLUME	PART NUMBER

METRIC

THIS DRAWING IS A CONTROLLED DOCUMENT FOR TYCO ELECTRONICS CORPORATION. IT IS SUBJECT TO CHANGE AND THE CONTROLLING ENGINEERING ORGANIZATION SHOULD BE CONTACTED FOR THE LATEST REVISION.		DWN K. WHITAKER 28AUG2007	Tyco Electronics Harrisburg, PA 17105-3608	
DIMENSIONS: mm [INCHES]		CHK C. CASH 28AUG2007	NAME PLUG, 1 CIRCUIT, .093 COMMERCIAL PIN AND SOCKET	
TOLERANCES UNLESS OTHERWISE SPECIFIED: 0 PLC ± 1 PLC ± 2 PLC ±0.13 [.005] 3 PLC ± 4 PLC ± ANGLES ± FINISH		APVD C. CASH 28AUG2007	SIZE A200779	
SEE TABLE		PRODUCT SPEC -	DRAWING NO C-770064	
		APPLICATION SPEC -	RESTRICTED TO -	
		WEIGHT -	SCALE 5:1 SHEET 1 OF 1 REV G	
		CUSTOMER DRAWING		