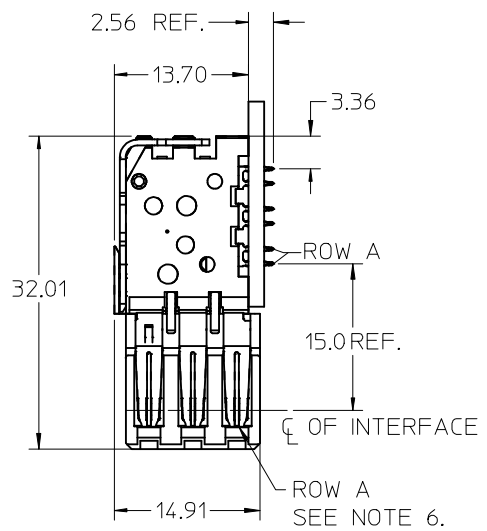
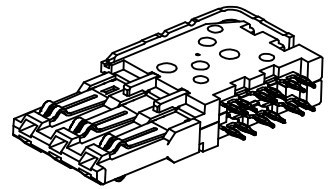
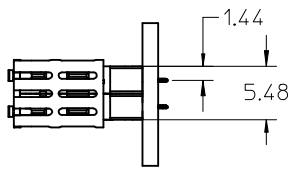
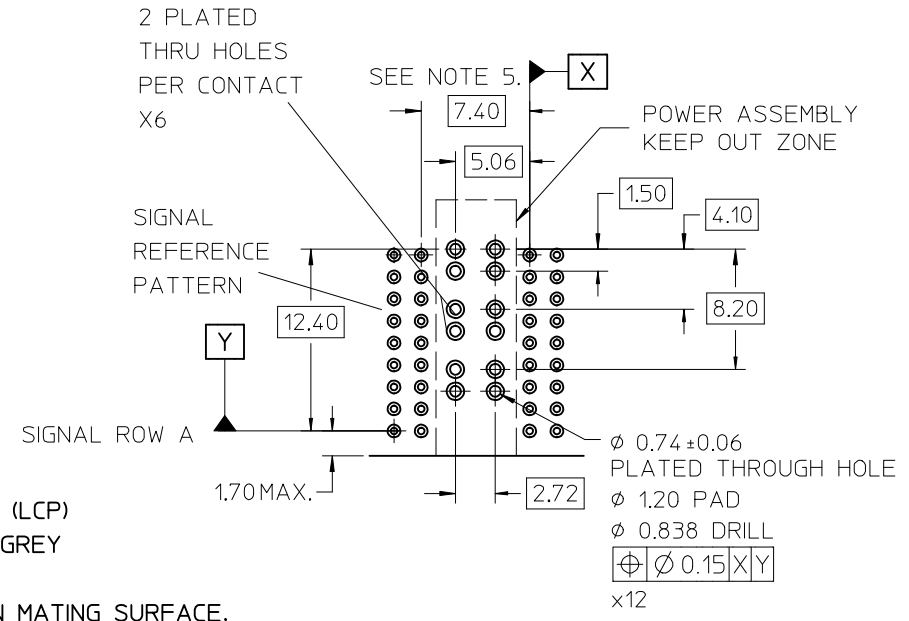


10 9 8 7 6 5 4 3 2 1



NOTES:

1. MATERIAL:
HOUSING: LIQUID CRYSTAL POLYMER (LCP)
UL94V-0 RATED, COLOR: GREY
CONTACT: COPPER ALLOY
2. FINISH: SELECT 30 μ INCH GOLD ON MATING SURFACE, MATTE TIN ON TAILS, NICKEL UNDERPLATE.
3. FINISH: SELECT 50 μ INCH GOLD ON MATING SURFACE, MATTE TIN ON TAILS, NICKEL UNDERPLATE.
4. MATES WITH 7533* BACKPLANE POWER ASSEMBLY.
5. FOR EACH ADDITIONAL POWER MODULE ADD 5.55 MM.
6. REMAINING ROWS ARE B, C IN THAT ORDER.



PART NUMBER	GOLD PLATING	
* 75292-3030	30μ IN	LEAD-FREE
* 75292-3050	50μ IN	LEAD-FREE
75292-3060	30μ IN	LEAD-FREE
75292-3080	50μ IN	LEAD-FREE

SEE NOTE 2 AND 3
* FORMERLY TIN/LEAD

REVISE NOTE 4 EC NO: UCP2015-1118 DRWN: SVANG01 2014/09/23 CHKD: MMOLFE 2014/09/23 APPR: SMILLER 2014/09/23	DESCRIPTION REV B	QUALITY SYMBOLS	GENERAL TOLERANCES (UNLESS SPECIFIED)	DIMENSION STYLE	SCALE	DESIGN UNITS	THIRD ANGLE PROJECTION	
		▽=0	mm INCH	MM ONLY	2:1	METRIC		
		▽=0	4 PLACES ± --- ± ---	DRAWN BY DATE	TITLE	GBX POWER 3 PAIR DAUGHTERCARD ASSEMBLY molex		
		▽=0	3 PLACES ± --- ± ---	KMULVEY 11/02/2004				
▽=0	2 PLACES ± --- ± ---	CHECKED BY DATE	DOCUMENT NO.			SHEET NO.		
	1 PLACE ± --- ± ---	ELO 11/04/2004	SD-75292-003	1 OF 1				
	0 PLACE ± ±	APPROVED BY DATE	THIS DRAWING CONTAINS INFORMATION THAT IS PROPRIETARY TO MOLEX INCORPORATED AND SHOULD NOT BE USED WITHOUT WRITTEN PERMISSION					
		JB INGHAM 2010/01/21						
			ANGULAR ± 5 °	SEE CHART				
			DRAFT WHERE APPLICABLE MUST REMAIN WITHIN DIMENSIONS					

9 8 7 6 5 4 3 2 1