

FEATURES

- ▶ Low-cost, high-performance replacement for many OEM DPMs
- ▶ Mounting choices:
 - Window mount for custom OEM
 - Surface mount with minimum space behind the panel
 - Snap-in bezel mount eliminates mounting hardware
- ▶ Low power: choice of 1.5mA (9V) or 2.6mA (+5V)
- ▶ Space-saving design: only 1" (25 mm) deep
- ▶ Occupies less than 2.5 X 1.1 inches of front panel space
- ▶ 4½ digits with high-contrast LCD



SPECIFICATIONS

DISPLAY

Digits: 4 ½ digits (±19999 counts)
 Type: 0.5" (13mm) 7 segment LCD
 Polarity: automatic, "-" displayed
 Annunciators: "LoBat" when power <7.2 VDC
 Decimal Points: 4 position, user-selectable
 Overrange: four lower order digits blank for inputs >19999 & < -19999
 Hold: standard

INPUTS

Ranges: ±200.0 mV, ±2.000 V, ±20.00 VDC
 Configuration: single ended for 9 V powered, differential for 5 V powered
 Protection: ±10 VDC on 200 mV ;
 ±100 VDC on @ 2V ;
 ±350 VDC on 20 V range
 Impedance: >100 MΩ on ± 200 mV ;
 (>1 MΩ on 2 V & 20 V range)
 Bias Current: 10 pA typical

PERFORMANCE

Accuracy: ±(0.06% fs + 1 count) maximum
 Conversion Rate: 2 per second
 Normal Mode Rejection: >30 dB @ 60 Hz
 Common Mode Range: ±1 VDC (5 V powered)
 Common Mode Rej.: >86 dB
 Zero Adjustment: automatic
 Warmup: 10 minutes typical
 Temperature Coeff.: ±50 ppm per °C typical
 ±100 ppm max for 200 mV range
 ±100 ppm per °C typical
 ±200 ppm max for 2V and 20V ranges

ENVIRONMENT

Operating Range: 0 to 50 °C
 Storage Range: -10 to 70 °C

POWER SUPPLY

5V powered: +5 VDC (4.65 - 5.35) at 2.6 mA
 9V powered: +7.2 to +12 V at 1.5 mA

MOUNTING

DK700: surface or window mount
 DK710: snap-in bezel mount

CONNECTION

13 pins, 0.025" square on 0.1" centers

ORDERING INFO

DK700 SERIES - WINDOW / SURFACE MOUNT

PART NUMBER	METER INPUT	METER POWER
DK702	200mV	+5VDC
DK703	.2V	+5VDC
DK704	200mV	9V
DK705	.2V	9V

DK710 SERIES - SNAP-IN BEZEL MOUNT

PART NUMBER	METER INPUT	METER POWER
DK710	200mV	+5VDC
DK711	.2V	+5VDC
DK712	.20V	+5VDC

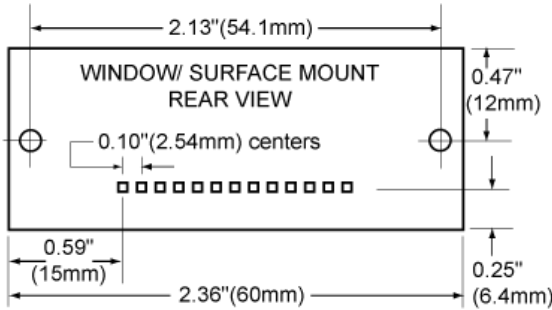
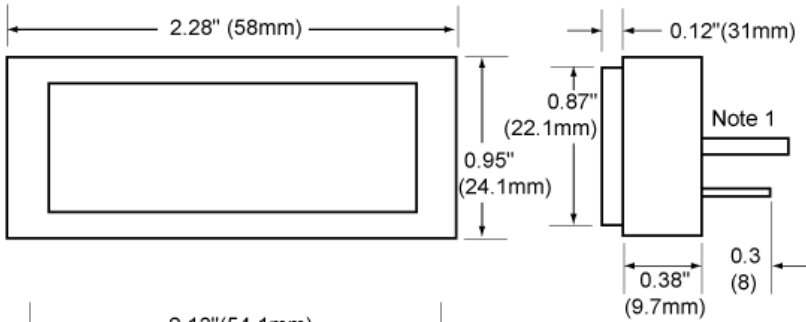
ACCESSORIES

J4C13	13 Pin Connector / Wire Assembly
PW2-5	Regulated 120V AC to 5V DC Power Supply
PW2-12	Regulated 120V AC to 12V DC Power Supply
CVC	Calibrator

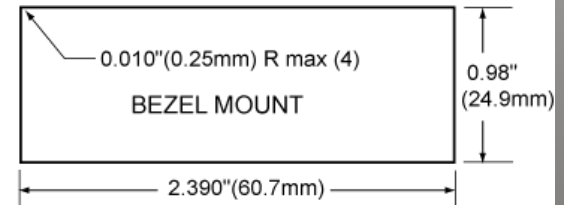
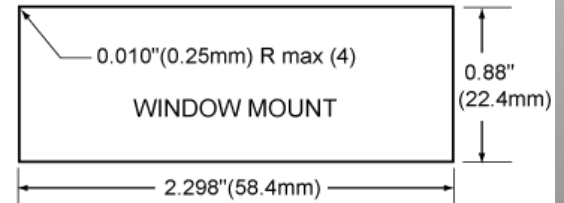
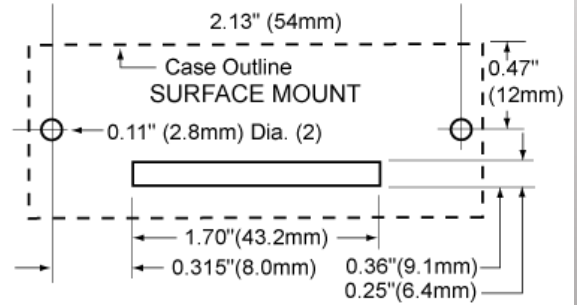


WINDOW/SURFACE MOUNT DIMENSIONS

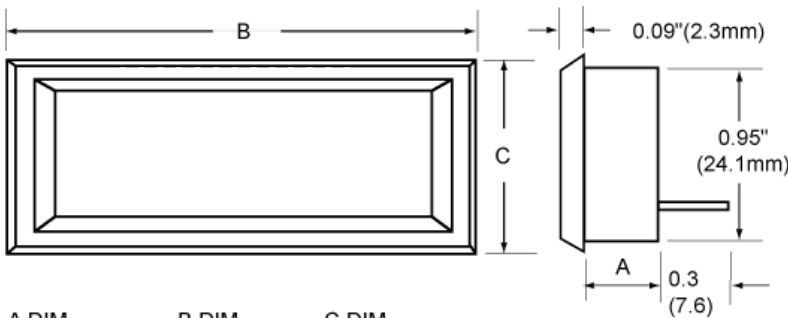
PANEL CUTOUTS



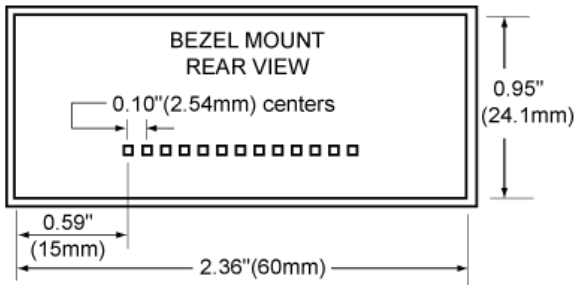
NOTES:
 1. Mounting studs (2) are #2-56, length 0.5 (13) min. Snap in bezel mount does not have mounting studs.



SNAP-IN BEZEL MOUNT DIMENSIONS



A DIM.	B DIM.	C DIM.
0.44" (11.2mm)	2.51" (63.8mm)	1.10" (28mm)



INCHES (mm)

WIRING CONNECTIONS

PIN #	PIN NAME	DESCRIPTION
1	V+	POSITIVE SUPPLY CONNECTION
2	V-	NEGATIVE SUPPLY CONNECTION
3	INHI	INPUT HIGH TERMINAL
4	INLO	INPUT LOW TERMINAL
5	D1	DECIMAL POINT = 000.0
6	D2	DECIMAL POINT = 00.00
7	D3	DECIMAL POINT = 0.000
8	D4	DECIMAL POINT = .0000
9	DP	DP COMMON
10	RNG	10:1 RANGE
11	HLD	HOLD FEATURE
12	NC	NO CONNECTION REQUIRED
13	NC	NO CONNECTION REQUIRED

CONNECT TO DECIMAL POINTS TO ACTIVATE
 CONNECT TO V+ POINTS TO ACTIVATE