

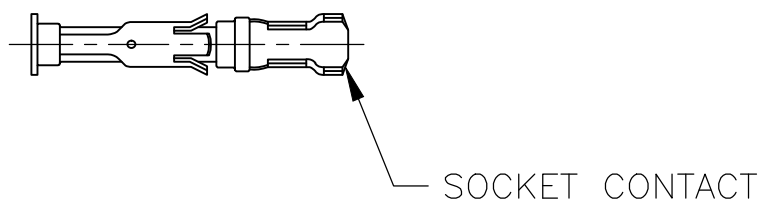
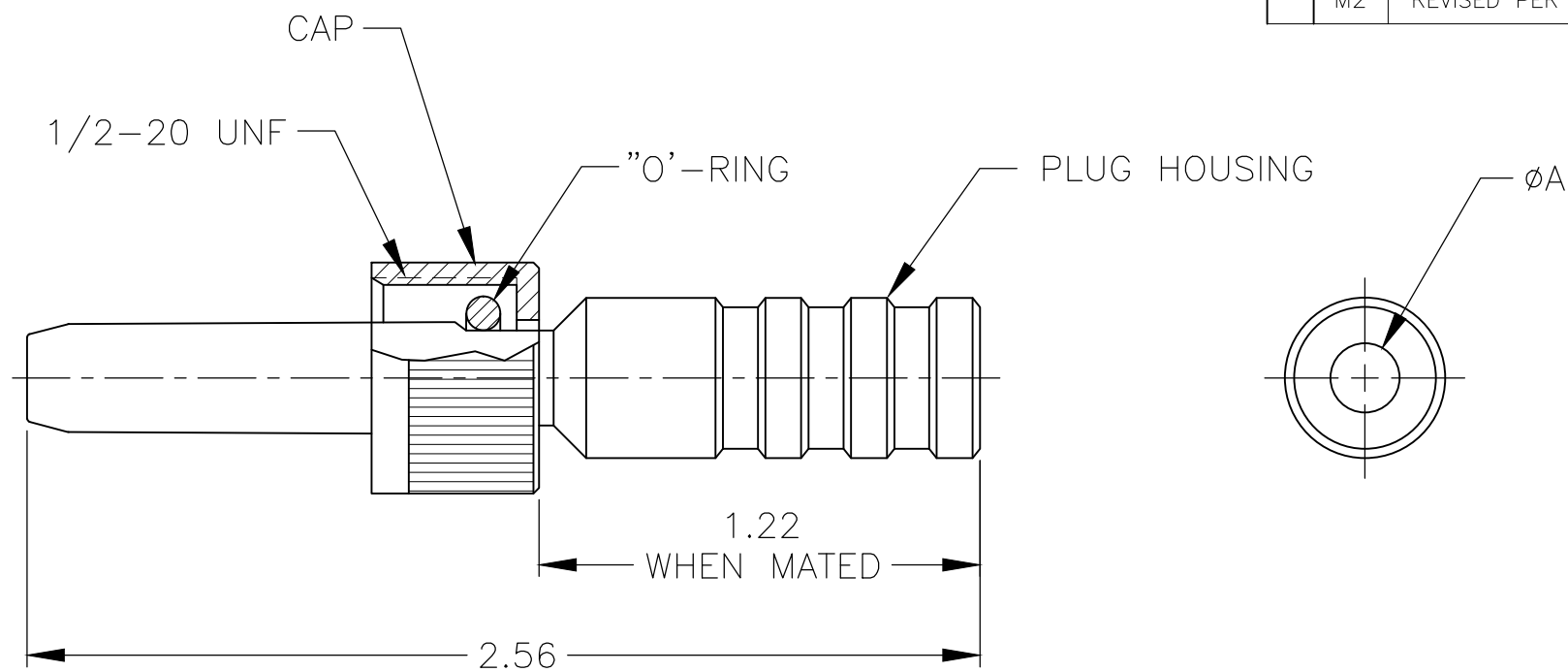
THIS DRAWING IS UNPUBLISHED.

RELEASED FOR PUBLICATION

ALL RIGHTS RESERVED.

© COPYRIGHT - By -

LOC	DIST	REVISIONS					
DF	SO	P	LTR	DESCRIPTION	DATE	DWN	APVD
			M2	REVISED PER ECO-14-007310	28AUG2014	MGM	CT



	20-22 AWG	.302	1-66399-0	5-861610-4
	16-18 AWG	.185	1-66101-9	5-861610-3
	16-18 AWG	.302	1-66101-9	5-861610-2
	20-22 AWG	.185	1-66399-0	5-861610-1
OBSOLETE	14 AWG	.302	66360-2	861610-8
OBSOLETE	14 AWG	.185	66360-2	861610-7
	-	.302	-	861610-6
	-	.185	-	861610-5
	20-22 AWG	.302	66399-1	861610-4
	16-18 AWG	.185	66101-2	861610-3
	16-18 AWG	.302	66101-2	861610-2
	20-22 AWG	.185	66399-1	861610-1
	SOCKET WIRE SIZE	DIM A	SOCKET CONTACT TYPE III+ QTY = 1	PART NUMBER

1. MAX VOLTAGE AFTER PROPER ASSEMBLY: 20 KVDC
2. MATES WITH TE P/N'S: 861611, 861753 AND 862197.

THIS DRAWING IS A CONTROLLED DOCUMENT.		DWN	C.C.THOMAS	11OCT04	STE TE Connectivity		
DIMENSIONS: INCHES		CHK	D.EABY	10-12-04			
TOLERANCES UNLESS OTHERWISE SPECIFIED:		APVD	D.EABY	10-12-04	NAME		
0 PLC ± -		PRODUCT SPEC		KIT, HI-VOLTAGE PLUG, LGH			
1 PLC ± -		APPLICATION SPEC		-			
2 PLC ± .01		-		SIZE	CAGE CODE	DRAWING NO	RESTRICTED TO
3 PLC ± .005		-		A3 00779 C-861610			-
4 PLC ± -		-		SCALE 2:1			
ANGLES ± -		-		SHEET 1 OF 1			
FINISH		-		REV M2			
MATERIAL		-		CUSTOMER DRAWING			