



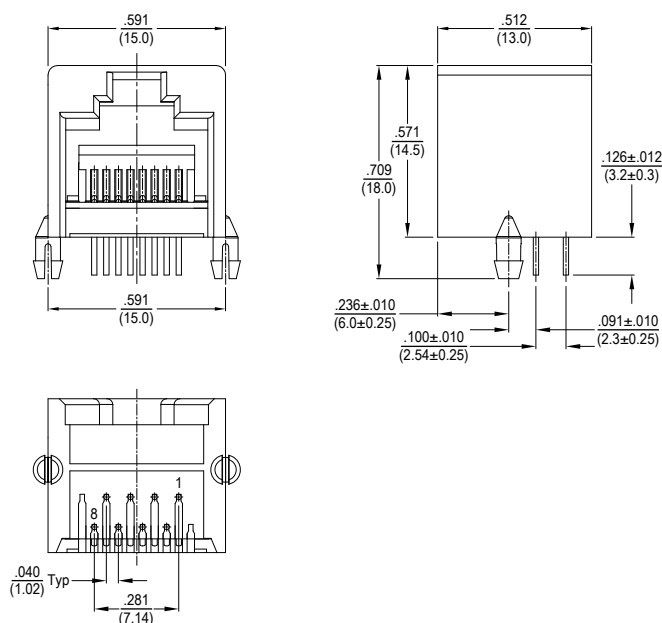
- Standard Operating Temp: 0°C to +70°C

Electrical Specifications @ 25°C				
Voltage Rating (VAC)	Current Rating (Amp)	Contact Resistance (mΩ)	Insulation Resistance (MΩ)	Dielectric Strength
150	1.5 Max	30 Max	500 Min	2250VDC

All specifications subject to change without notice.

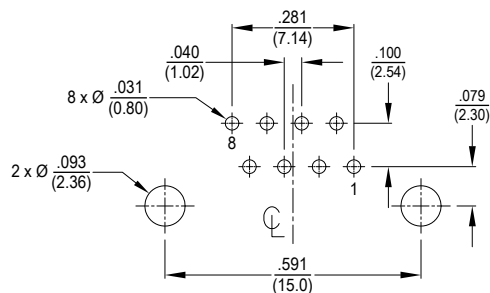
MECHANICAL

Dimensions: $\frac{\text{inch}}{\text{(mm)}}$



PCB LAYOUT

Dimensions: $\frac{\text{inch}}{\text{(mm)}}$



Tolerance ±.002 (0.05mm)

NOTES

- Connector Materials:**
Housing & Insert: Thermoplastic, UL94 V-0
Terminal: Phosphor Bronze T=.45mm
Terminal Finish: Gold on Contact area, Tin on solder tails, Nickel underplate overall.