



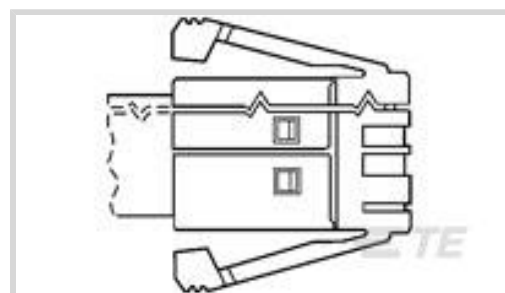
AMPLIMITE

TE Internal #: 5-1761184-3

SDL Connectors, Plug, Flat Ribbon Cable, 24 AWG Wire Size, .205 mm² / .2 mm² Wire Size, Cable-to-Board, 8 Position, .05 in [1.27 mm] Centerline

[View on TE.com >](#)

Connectors > Audio & Video Connectors > Shielded Data Link > SDL Connectors

Connector & Housing Type: **Plug**Compatible With Wire & Cable Type: **Flat Ribbon Cable**Wire Size: **.2 mm², .205 mm²**Connector System: **Cable-to-Board**

Features

Product Type Features

| | |
|-----------------------------------|----------------|
| Receptacle Configuration | Standard |
| Connector & Housing Type | Plug |
| Connector System | Cable-to-Board |
| Connector & Contact Terminates To | Wire & Cable |

Configuration Features

| | |
|-----------------------------------|-------------------|
| Compatible With Wire & Cable Type | Flat Ribbon Cable |
| Number of Positions | 8 |

Body Features

| | |
|-------------------------|-----------------|
| Shield Plating Material | Tin over Nickel |
| Shield Material | Brass |

Contact Features

| | |
|--------------------------------------|--------------|
| | 50 μin |
| Contact Mating Area Plating Material | Gold |
| Contact Base Material | Copper Alloy |
| Contact Current Rating (Max) | 1.5 A |

Mechanical Attachment

| | |
|-------------------------|----------------------------|
| PCB Mount Retention | Without |
| Polarization Code | E |
| Connector Mounting Type | Cable Mount (Free-Hanging) |

Housing Features

| | |
|--------------------|------------------|
| Housing Material | Polycarbonate GF |
| Housing Color | Smoke Gray |
| Centerline (Pitch) | 1.27 mm[.05 in] |

Dimensions

| | |
|-------------------------------------|---|
| Conductor Insulation Diameter Range | 1.27 mm[.05 in] |
| Wire Size | .2 mm ² , .205 mm ² |

Usage Conditions

| | |
|-----------------------------|--------------------------|
| Operating Temperature Range | -20 – 80 °C[-4 – 176 °F] |
|-----------------------------|--------------------------|

Operation/Application

| | |
|---------------------|--------|
| Circuit Application | Signal |
|---------------------|--------|

Other

| | |
|---------------------------------|--|
| Audio & Video Connector Comment | Prefix no. designates key configuration. Suffix no. is a code for the number of conductors. Prefix & suffix nos. of plug assemblies must match those of the intended mating receptacle. Keys are molded in as an integral part of the plug & receptacle. |
|---------------------------------|--|

Product Compliance

[For compliance documentation, visit the product page on TE.com>](#)

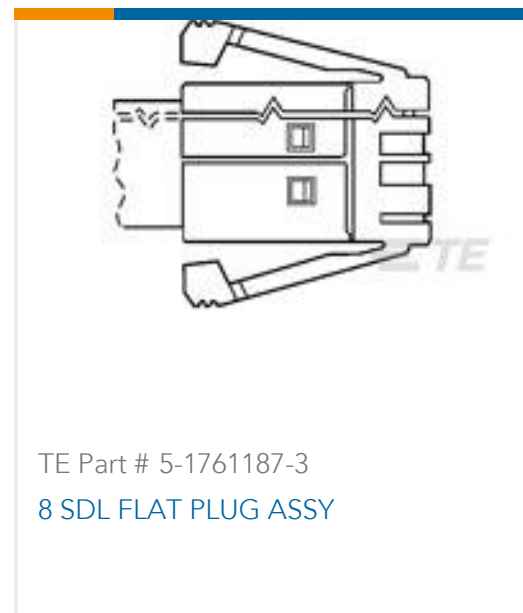
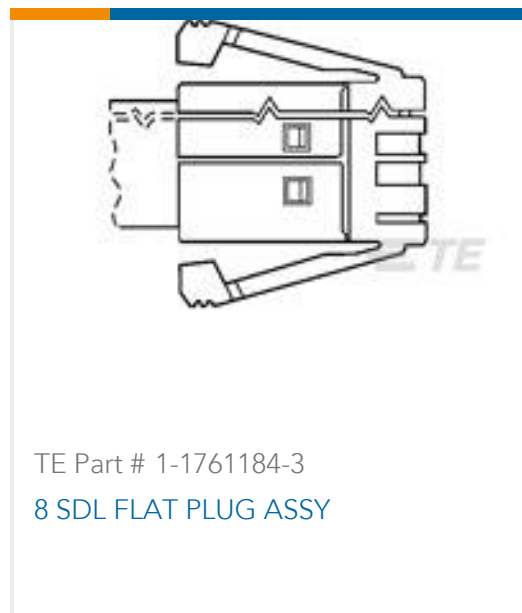
| | |
|---|---|
| EU RoHS Directive 2011/65/EU | Compliant |
| EU ELV Directive 2000/53/EC | Compliant |
| China RoHS 2 Directive MIIT Order No 32, 2016 | No Restricted Materials Above Threshold |
| EU REACH Regulation (EC) No. 1907/2006 | Current ECHA Candidate List: JUNE 2023 (235) Candidate List Declared Against: JUNE 2023 (235) Does not contain REACH SVHC |
| Halogen Content | Not Low Halogen - contains Br or Cl > 900 ppm. |
| Solder Process Capability | Not applicable for solder process capability |

Product Compliance Disclaimer

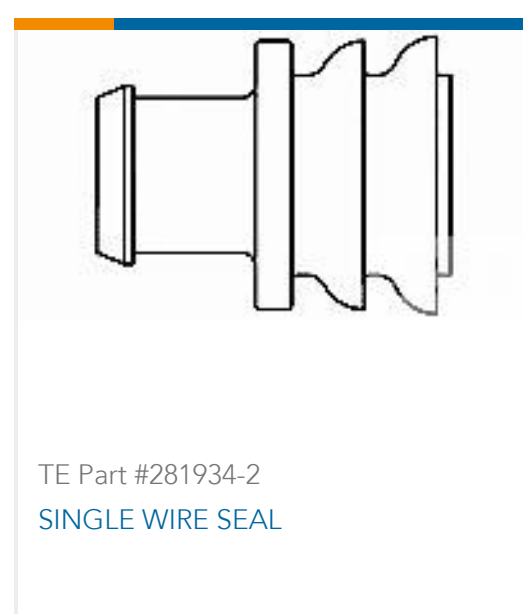
This information is provided based on reasonable inquiry of our suppliers and represents our current actual knowledge based on the information they provided. This information is subject to change. The part numbers that TE has identified as EU RoHS compliant have a maximum concentration of 0.1% by weight in homogenous materials for lead, hexavalent

chromium, mercury, PBB, PBDE, DBP, BBP, DEHP, DIBP, and 0.01% for cadmium, or qualify for an exemption to these limits as defined in the Annexes of Directive 2011/65/EU (RoHS2). Finished electrical and electronic equipment products will be CE marked as required by Directive 2011/65/EU. Components may not be CE marked. Additionally, the part numbers that TE has identified as EU ELV compliant have a maximum concentration of 0.1% by weight in homogenous materials for lead, hexavalent chromium, and mercury, and 0.01% for cadmium, or qualify for an exemption to these limits as defined in the Annexes of Directive 2000/53/EC (ELV). Regarding the REACH Regulation, the information TE provides on SVHC in articles for this part number is based on the latest European Chemicals Agency (ECHA) 'Guidance on requirements for substances in articles' posted at this URL: <https://echa.europa.eu/guidance-documents/guidance-on-reach>

Compatible Parts



Customers Also Bought



Documents

Product Drawings

8 SDL FLAT PLUG ASSY

English

CAD Files

3D PDF

3D

Customer View Model



[ENG_CVM_CVM_5-1761184-3_A.2d_dxf.zip](#)

English

Customer View Model

[ENG_CVM_CVM_5-1761184-3_A.3d_igs.zip](#)

English

Customer View Model

[ENG_CVM_CVM_5-1761184-3_A.3d_stp.zip](#)

English

By downloading the CAD file I accept and agree to the [Terms and Conditions](#) of use.

Product Specifications

[Application Specification](#)

English

Instruction Sheets

[Instruction Sheet \(U.S.\)](#)

English

[Instruction Sheet \(U.S.\)](#)

English