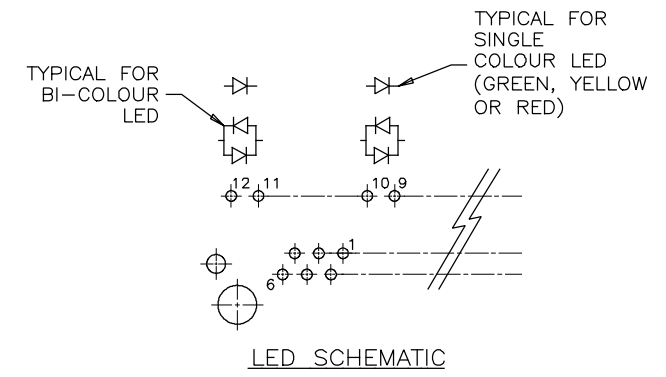
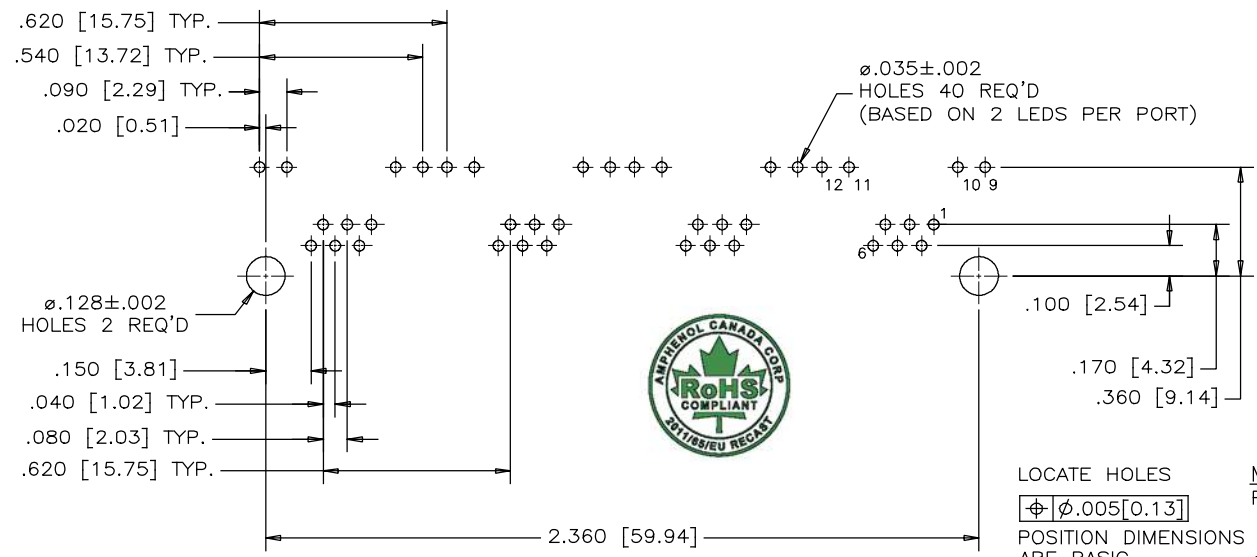
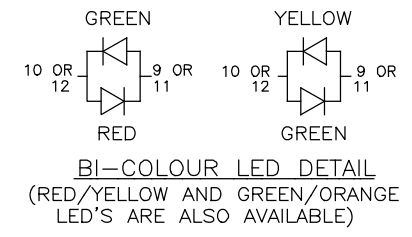
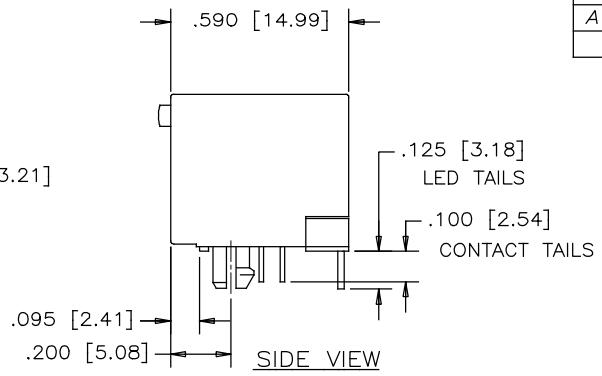
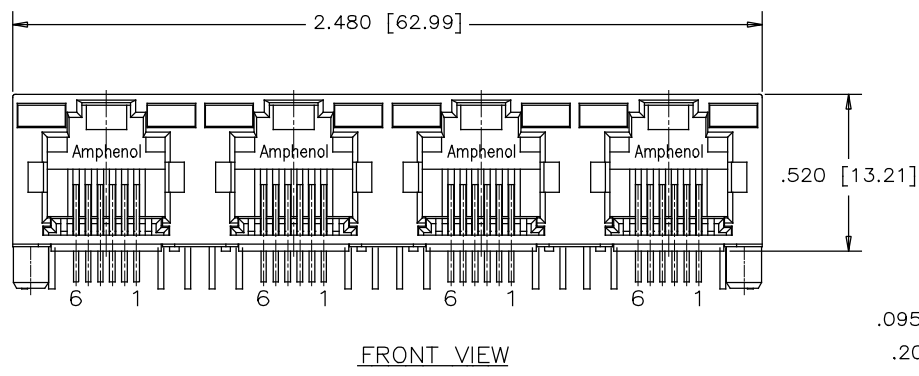
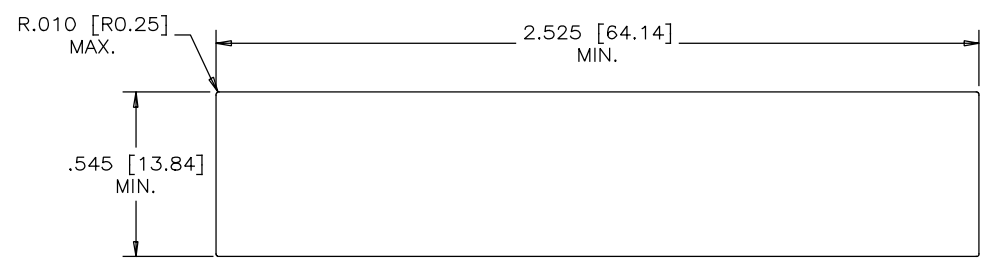


REVISIONS				
SYM	ZONE	ECN, ERN NO.	DATE	APPRD.
A		PROPOSAL DRAWING	DEC16-16	L.CHAN



LOCATE HOLES
 $\phi .005 [0.13]$
 POSITION DIMENSIONS ARE BASIC

MATERIALS:
 PLASTIC HOUSING: HIGH TEMPERATURE THERMOPLASTIC
 FLAMMABILITY RATING UL 94V-0
CONTACTS: PHOSPHOR BRONZE
 PLATING: 50 μ" [1.27 MICRONS]
 MIN. GOLD ON MATING SURFACES.
 50 μ" [1.27 MICRONS]
 MIN. NICKEL UNDERPLATE
 100 μ" [2.54 MICRONS]
 MIN. MATTE TIN ON CONTACT TAILS.



PART NUMBER: RJHSE-706X-04
 REFER TO LED OPTIONS DRAWING FOR ORDERING CODES

DRAWN	W.QIU	DATE	DEC16-16	Amphenol Canada Corp.	
DESIGNED					
CHECKED	L.CHAN	DATE	DEC16-16		
I. E. APPRD.					
Q. A. APPRD.				TITLE 4 PORT, RJ11 MODULAR JACK, 6 POSITION, 6 CONTACTS, VARIOUS LED - RoHS COMPLIANT	
DWG. APPRD.				DWG DRAWING NO. P-RJHSE-706X-04	
ENG. REL. NO.				REV.	A
REF.				DIMENSIONS ARE IN INCHES [mm] CODE ID. NO. 03554	
SCALE		WT. _____		SURF. _____	
				SHEET 1 OF 1	

THIS DOCUMENT CONTAINS PROPRIETARY INFORMATION AND SUCH INFORMATION MAY NOT BE DISCLOSED TO OTHERS FOR ANY PURPOSE OR USED FOR MANUFACTURING PURPOSES WITHOUT WRITTEN PERMISSION FROM AMPHENOL CANADA CORP.