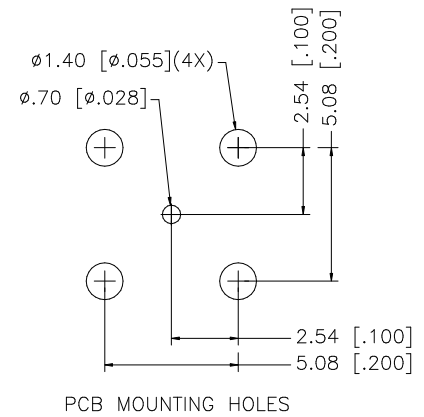
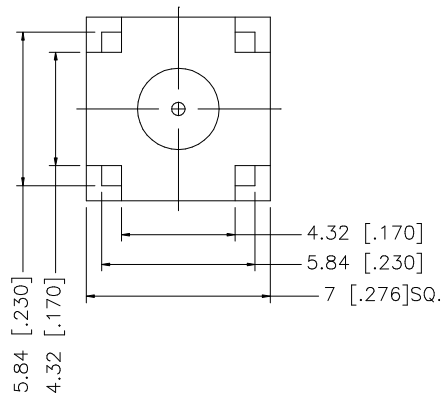
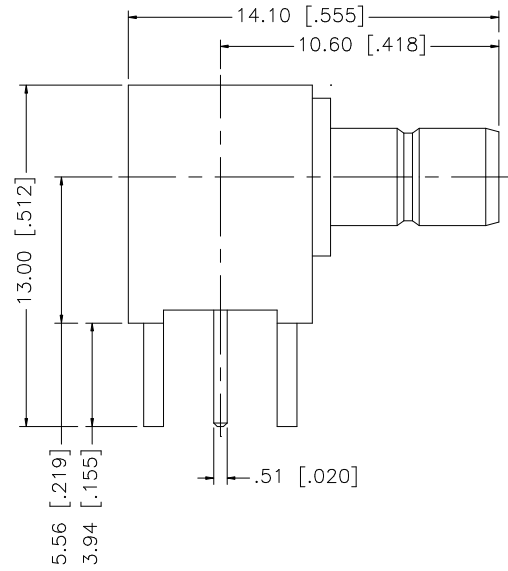


REV.	DATE	DESCRIPTION
A	01/30/04	UPDATE DRAWING FORMAT



8					<p>UNLESS OTHERWISE SPECIFIED DIMENSIONS ARE IN MILLIMETERS. DIMENSIONS IN [] ARE IN INCHES AND FOR CUSTOMER REFERENCE ONLY.</p> <p>UNLESS OTHERWISE SPECIFIED TOLERANCES FOR MILLIMETERS ARE: 0.5 - 8mm ± 0.20mm 8 - 30mm ± 0.40mm 30 - 120mm ± 0.50mm</p> <p>UNLESS OTHERWISE SPECIFIED TOLERANCES FOR INCHES ARE: .020 - .315 = ± 0.007" .315 - 1.180 = ± 0.015" 1.180 - 4.724 = ± 0.020"</p> <p>DO NOT SCALE DRAWING</p>	APPROVALS	DATE	<h1 style="color: blue;">Amphenol Connex</h1>							
7				DRAWN		G.R.S.	01/30/04								
6				CHECKED				PART DESCRIPTION MINI 75 OHM SMB R/A P.C.B. JACK							
5				ISSUED											
4				SHEET		1 OF 1		PART NO. 142146-75							
3	CONTACT PIN	BRASS	GOLD	1								DWG. NO.	142146-75.DWG	REV.	A
2	INSULATOR	TEFLON	NATURAL	2											
1	BODY	BRASS	GOLD	1											
	DESCRIPTION	MATERIAL	FINISH	QTY			CAD FILE	C:/142/142146-75.DWG							