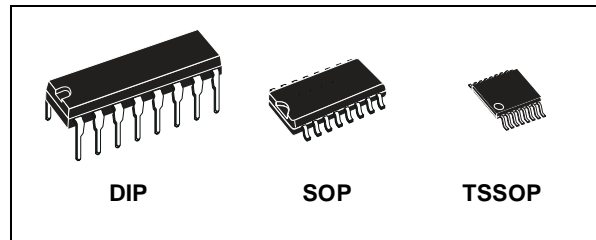




# M74HC123

## DUAL RETRIGGERABLE MONOSTABLE MULTIVIBRATOR

- HIGH SPEED :  
 $t_{PD} = 23 \text{ ns}$  (TYP.) at  $V_{CC} = 6V$
- LOW POWER DISSIPATION:  
 STAND BY STATE :  
 $I_{CC} = 4\mu A$  (MAX.) at  $T_A = 25^\circ C$   
 ACTIVE STATE :  
 $I_{CC} = 200\mu A$  (MAX.) at  $V_{CC} = 5V$
- HIGH NOISE IMMUNITY:  
 $V_{NIH} = V_{NIL} = 28\% V_{CC}$  (MIN.)
- SYMMETRICAL OUTPUT IMPEDANCE:  
 $|I_{OH}| = I_{OL} = 4mA$  (MIN)
- BALANCED PROPAGATION DELAYS:  
 $t_{PLH} \cong t_{PHL}$
- WIDE OPERATING VOLTAGE RANGE:  
 $V_{CC}$  (OPR) = 2V to 6V
- WIDE OUTPUT PULSE WIDTH RANGE :  
 $t_{WOUT} = 120 \text{ ns} \sim 60 \text{ s}$  OVER AT  $V_{CC} = 4.5 \text{ V}$
- PIN AND FUNCTION COMPATIBLE WITH  
 74 SERIES 123



### ORDER CODES

PACKAGE	TUBE	T & R
DIP	M74HC123B1R	
SOP	M74HC123M1R	M74HC123RM13TR
TSSOP		M74HC123TTR

### DESCRIPTION

The M74HC123 is a high speed CMOS MONOSTABLE MULTIVIBRATOR fabricated with silicon gate C<sup>2</sup>MOS technology. There are two trigger inputs, A INPUT (negative edge) and B INPUT (positive edge). These inputs are valid for slow rising/falling signals, ( $t_r = t_f = 1 \text{ sec}$ ). The device may also be triggered by using the CLR input (positive-edge) because of the Schmitt-trigger input; after triggering the output maintains the MONOSTABLE state for the

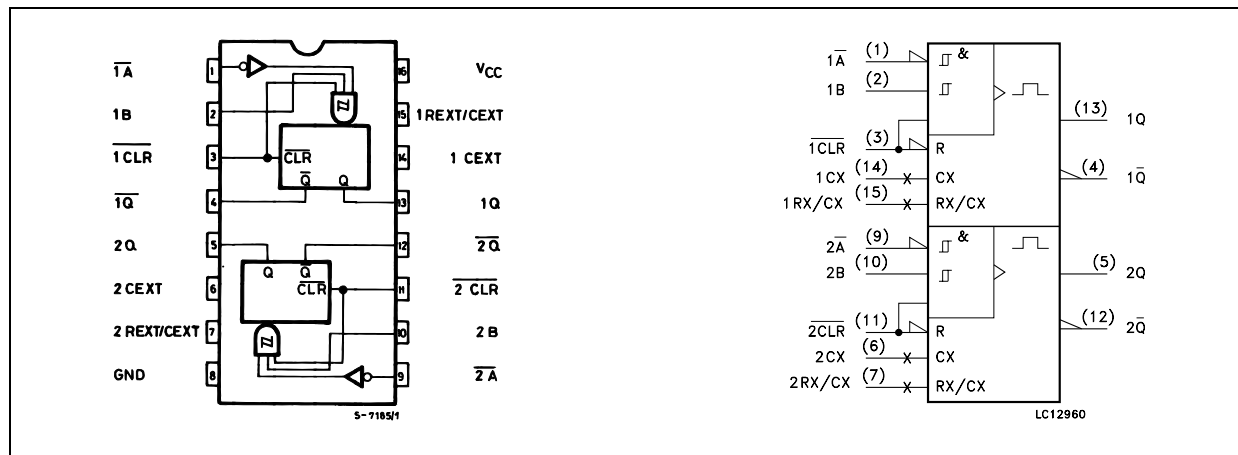
period determined by the external resistor Rx and capacitor Cx. When  $C_x \geq 10nF$  and  $R_x \geq 10K\Omega$ , the output pulse width value is approximatively given by the formula :  $tW(OUT) = K \cdot C_x \cdot R_x$ . ( $K \cong 0.45$ ).

Taking CLR low breaks this MONOSTABLE STATE. If the next trigger pulse occurs during the MONOSTABLE period it makes the MONOSTABLE period longer. Limit for values of Cx and Rx : Cx : NO LIMIT

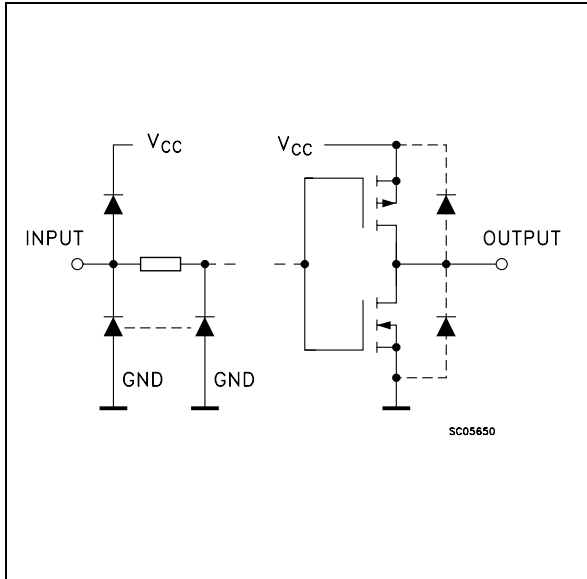
Rx :  $V_{CC} < 3.0V$  5KΩ to 1MΩ  
 $V_{CC} \geq 3.0V$  1KΩ to 1MΩ

All inputs are equipped with protection circuits against static discharge and transient excess voltage.

### PIN CONNECTION AND IEC LOGIC SYMBOLS



INPUT AND OUTPUT EQUIVALENT CIRCUIT



PIN DESCRIPTION

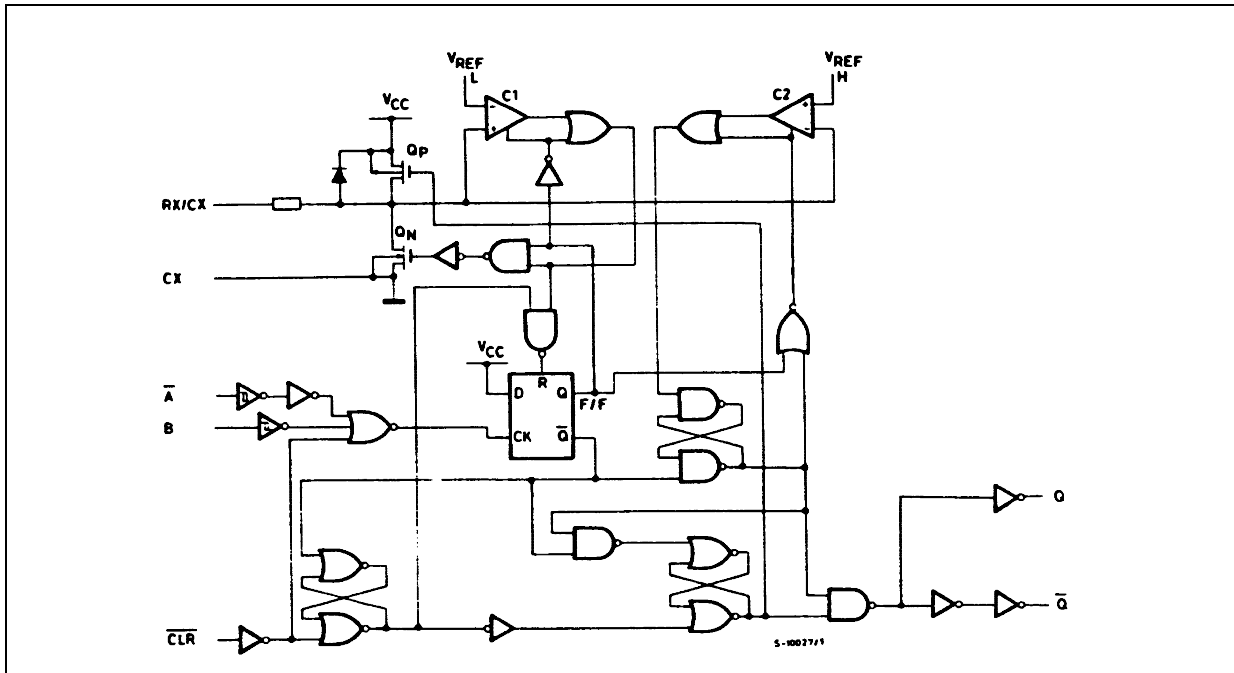
PIN No	SYMBOL	NAME AND FUNCTION
1,9	1 $\bar{A}$ , 2 $\bar{A}$	Trigger Inputs (Negative Edge Triggered)
2, 10	1B, 2B	Trigger Inputs (Positive Edge Triggered)
3, 11	1 $\overline{\text{CLR}}$ 2 $\overline{\text{CLR}}$	Direct Reset LOW and trigger Action at Positive Edge
4, 12	1Q, 2Q	Outputs (Active Low)
7	2R <sub>X</sub> /C <sub>X</sub>	External Resistor Capacitor Connection
13, 5	1Q, 2Q	Outputs (Active High)
14, 6	1C <sub>X</sub> 2C <sub>X</sub>	External Capacitor Connection
15	1R <sub>X</sub> /C <sub>X</sub>	External Resistor Capacitor Connection
8	GND	Ground (0V)
16	Vcc	Positive Supply Voltage

TRUTH TABLE

INPUTS			OUTPUTS		NOTE
$\bar{A}$	B	$\overline{\text{CLR}}$	Q	$\bar{Q}$	
	H	H			OUTPUT ENABLE
X	L	H	L	H	INHIBIT
H	X	H	L	H	INHIBIT
L		H			OUTPUT ENABLE
L	H				OUTPUT ENABLE
X	X	L	L	H	INHIBIT

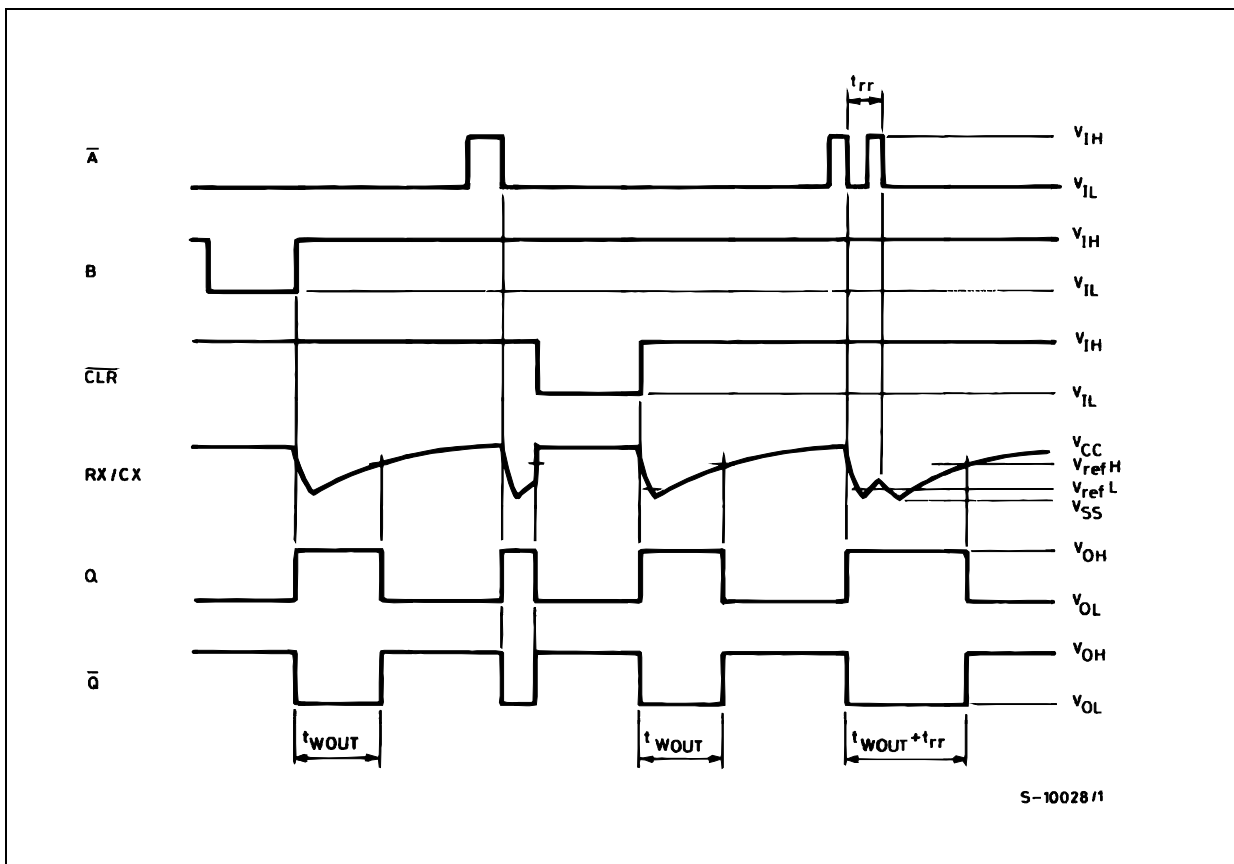
X : Don't Care

SYSTEM DIAGRAM

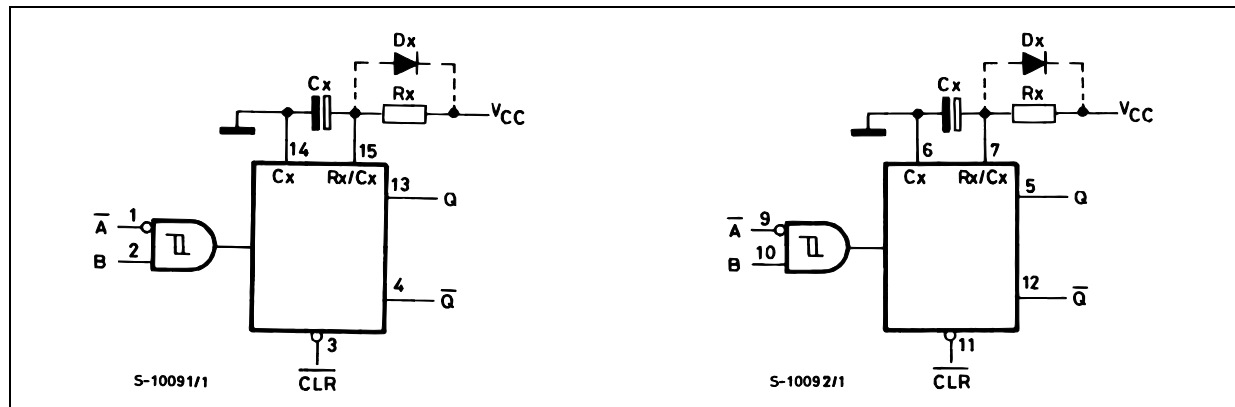


This logic diagram has not been used to estimate propagation delays

TIMING CHART



## BLOCK DIAGRAM



(1)  $C_x$ ,  $R_x$ ,  $D_x$  are external components.

(2)  $D_x$  is a clamping diode.

The external capacitor is charged to  $V_{CC}$  in the stand-by-state, i.e. no trigger. When the supply voltage is turned off  $C_x$  is discharged mainly through an internal parasitic diode (see figures). If  $C_x$  is sufficiently large and  $V_{CC}$  decreases rapidly, there will be some possibility of damaging the I.C. with a surge current or latch-up. If the voltage supply filter capacitor is large enough and  $V_{CC}$  decrease slowly, the surge current is automatically limited and damage to the I.C. is avoided. The maximum forward current of the parasitic diode is approximately 20 mA. In cases where  $C_x$  is large the time taken for the supply voltage to fall to 0.4  $V_{CC}$  can be calculated as follows :

$$t_f \geq (V_{CC} - 0.7) \times C_x / 20\text{mA}$$

In cases where  $t_f$  is too short an external clamping diode is required to protect the I.C. from the surge current.

## FUNCTIONAL DESCRIPTION

## STAND-BY STATE

The external capacitor,  $C_x$ , is fully charged to  $V_{CC}$  in the stand-by state. Hence, before triggering, transistor  $Q_p$  and  $Q_n$  (connected to the  $R_x/C_x$  node) are both turned-off. The two comparators that control the timing and the two reference voltage sources stop operating. The total supply current is therefore only leakage current.

## TRIGGER OPERATION

Triggering occurs when :

- 1 st) A is "LOW" and B has a falling edge;
- 2 nd) B is "HIGH" and A has a rising edge;
- 3 rd) A is "LOW" and B is HIGH and C1 has a rising edge;

After the multivibrator has been retriggered comparator C1 and C2 start operating and  $Q_n$  is turned on.  $C_x$  then discharges through  $Q_n$ . The voltage at the node  $R/C$  external falls.

When it reaches  $V_{REFL}$  the output of comparator C1 becomes low. This in turn reset the flip-flop and  $Q_n$  is turned off.

At this point C1 stops functioning but C2 continues to operate.

The voltage at  $R/C$  external begins to rise with a time constant set by the external components  $R_x$ ,  $C_x$ .

Triggering the multivibrator causes  $Q$  to go high after internal delay due to the flip-flop and the gate.  $Q$  remains high until the voltage at  $R/C$  external rises again to  $V_{REFH}$ . At this point C2

output goes low and  $\bar{O}$  goes low.  $C_2$  stop operating. That means that after triggering when the voltage  $R/C$  external returns to  $V_{REFH}$  the multivibrator has returned to its MONOSTABLE STATE. In the case where  $R_x \cdot C_x$  are large enough and the discharge time of the capacitor and the delay time in the I.C. can be ignored, the width of the output pulse  $t_w(\text{out})$  is as follows :

$$t_w(\text{OUT}) = 0.45 C_x \cdot R_x$$

## RE - TRIGGERED OPERATION

When a second trigger pulse follows the first its effect will depend on the state of the multivibrator. If the capacitor  $C_x$  is being charged the voltage level of  $R/C$  external falls to  $V_{REFL}$  again and  $Q$  remains High i.e. the retrigger pulse arrives in a time shorter than the period  $R_x \cdot C_x$  seconds, the capacitor charging time constant. If the second trigger pulse is very close to the initial trigger pulse it is ineffective ; i.e. the second trigger must arrive in the capacitor discharge cycle to be ineffective; Hence the minimum time for a second trigger to be effective depends on  $V_{CC}$  and  $C_x$

## RESET OPERATION

$CL$  is normally high. If  $CL$  is low, the trigger is not effective because  $Q$  output goes low and trigger control flip-flop is reset.

Also transistor  $Q_p$  is turned on and  $C_x$  is charged quickly to  $V_{CC}$ . This means if  $CL$  input goes low the IC becomes waiting state both in operating and non operating state.

**ABSOLUTE MAXIMUM RATINGS**

Symbol	Parameter	Value	Unit
$V_{CC}$	Supply Voltage	-0.5 to +7	V
$V_I$	DC Input Voltage	-0.5 to $V_{CC} + 0.5$	V
$V_O$	DC Output Voltage	-0.5 to $V_{CC} + 0.5$	V
$I_{IK}$	DC Input Diode Current	$\pm 20$	mA
$I_{OK}$	DC Output Diode Current	$\pm 20$	mA
$I_O$	DC Output Current	$\pm 25$	mA
$I_{CC}$ or $I_{GND}$	DC $V_{CC}$ or Ground Current	$\pm 50$	mA
$P_D$	Power Dissipation	500(*)	mW
$T_{stg}$	Storage Temperature	-65 to +150	°C
$T_L$	Lead Temperature (10 sec)	300	°C

Absolute Maximum Ratings are those values beyond which damage to the device may occur. Functional operation under these conditions is not implied

(\*) 500mW at 65 °C; derate to 300mW by 10mW/°C from 65°C to 85°C

**RECOMMENDED OPERATING CONDITIONS**

Symbol	Parameter	Value	Unit	
$V_{CC}$	Supply Voltage	2 to 6	V	
$V_I$	Input Voltage	0 to $V_{CC}$	V	
$V_O$	Output Voltage	0 to $V_{CC}$	V	
$T_{op}$	Operating Temperature	-55 to 125	°C	
$t_r, t_f$	Input Rise and Fall Time	$V_{CC} = 2.0V$	0 to 1000	ns
		$V_{CC} = 4.5V$	0 to 500	ns
		$V_{CC} = 6.0V$	0 to 400	ns
$C_x$	External Capacitor	NO LIMITATION	pF	
$R_x$	External Resistor	$V_{CC} < 3V$	5K to 1M	$\Omega$
		$V_{CC} \geq 3V$	1K to 1M	

The Maximum allowable values of  $C_x$  and  $R_x$  are a function of leakage of capacitor  $C_x$ , the leakage of device and leakage due to the board layout and surface resistance. Susceptibility to externally induced noise may occur for  $R_x > 1M\Omega$

## DC SPECIFICATIONS

Symbol	Parameter	Test Condition		Value						Unit	
		V <sub>CC</sub> (V)		T <sub>A</sub> = 25°C			-40 to 85°C		-55 to 125°C		
				Min.	Typ.	Max.	Min.	Max.	Min.		Max.
V <sub>IH</sub>	High Level Input Voltage	2.0		1.5			1.5		1.5		V
		4.5		3.15			3.15		3.15		
		6.0		4.2			4.2		4.2		
V <sub>IL</sub>	Low Level Input Voltage	2.0				0.5		0.5		0.5	V
		4.5				1.35		1.35		1.35	
		6.0				1.8		1.8		1.8	
V <sub>OH</sub>	High Level Output Voltage	2.0	I <sub>O</sub> =-20 μA	1.9	2.0		1.9		1.9		V
		4.5	I <sub>O</sub> =-20 μA	4.4	4.5		4.4		4.4		
		6.0	I <sub>O</sub> =-20 μA	5.9	6.0		5.9		5.9		
		4.5	I <sub>O</sub> =-4.0 mA	4.18	4.31		4.13		4.10		
		6.0	I <sub>O</sub> =-5.2 mA	5.68	5.8		5.63		5.60		
V <sub>OL</sub>	Low Level Output Voltage	2.0	I <sub>O</sub> =20 μA		0.0	0.1		0.1		0.1	V
		4.5	I <sub>O</sub> =20 μA		0.0	0.1		0.1		0.1	
		6.0	I <sub>O</sub> =20 μA		0.0	0.1		0.1		0.1	
		4.5	I <sub>O</sub> =4.0 mA		0.17	0.26		0.33		0.40	
		6.0	I <sub>O</sub> =5.2 mA		0.18	0.26		0.33		0.40	
I <sub>I</sub>	Input Leakage Current	6.0	V <sub>I</sub> = V <sub>CC</sub> or GND			± 0.1		± 1		± 1	μA
I <sub>CC</sub>	Quiescent Supply Current	6.0	V <sub>I</sub> = V <sub>CC</sub> or GND			4		40		80	μA
I <sub>CC'</sub>	Active State Supply Current (1)	2.0	V <sub>I</sub> = V <sub>CC</sub> or GND		45	200		260		320	μA
		4.5	Pin 7 or 15		500	600		780		960	μA
		6.0	V <sub>IN</sub> = V <sub>CC</sub> /2		0.7	1		1.3		1.6	mA

(1) : Per Circuit

AC ELECTRICAL CHARACTERISTICS ( $C_L = 50 \text{ pF}$ , Input  $t_r = t_f = 6 \text{ ns}$ )

Symbol	Parameter	Test Condition		Value						Unit		
		$V_{CC}$ (V)		$T_A = 25^\circ\text{C}$			$-40 \text{ to } 85^\circ\text{C}$		$-55 \text{ to } 125^\circ\text{C}$			
				Min.	Typ.	Max.	Min.	Max.	Min.		Max.	
$t_{TLH}$ $t_{THL}$	Output Transition Time	2.0			30	75		95		110	ns	
		4.5			8	15		19		22		
		6.0			7	13		16		19		
$t_{PLH}$ $t_{PHL}$	Propagation Delay Time ( $\bar{A}$ , B - Q, $\bar{Q}$ )	2.0			102	210		265		315	ns	
		4.5			29	42		53		63		
		6.0			22	36		45		54		
$t_{PLH}$ $t_{PHL}$	Propagation Delay Time (CLR TRIGGER - Q, $\bar{Q}$ )	2.0			102	235		295		355	ns	
		4.5			31	47		59		71		
		6.0			23	40		50		60		
$t_{PLH}$ $t_{PHL}$	Propagation Delay Time ( $\bar{\text{CLR}}$ - Q, $\bar{Q}$ )	2.0			68	160		200		240	ns	
		4.5			20	32		40		48		
		6.0			16	27		34		41		
$t_{WOUT}$	Output Pulse Width	2.0	$C_x = 100 \text{ pF}$ $R_x = 10\text{K}\Omega$		1.4						$\mu\text{s}$	
		4.5			1.2							
		6.0			1.1							
		2.0	$C_x = 0.1\mu\text{F}$ $R_x = 100\text{K}\Omega$		4.6							ms
		4.5			4.4							
		6.0			4.3							
$\Delta t_{WOUT}$	Output Pulse Width Error Between Circuits in Same Package				$\pm 1$						%	
$t_{W(H)}$ $t_{W(L)}$	Minimum Pulse Width	2.0				75		95		110	ns	
		4.5				15		19		22		
		6.0				13		16		19		
$t_{W(L)}$	Minimum Pulse Width (CLR)	2.0				75		95		110	ns	
		4.5				15		19		22		
		6.0				13		16		19		
$t_{rr}$	Minimum Retrigger Time	2.0	$C_x = 100 \text{ pF}$ $R_x = 10\text{K}\Omega$		325						ns	
		4.5			108							
		6.0			78							
		2.0	$C_x = 0.1\mu\text{F}$ $R_x = 100\text{K}\Omega$		5							$\mu\text{s}$
		4.5			1.4							
		6.0			1.2							

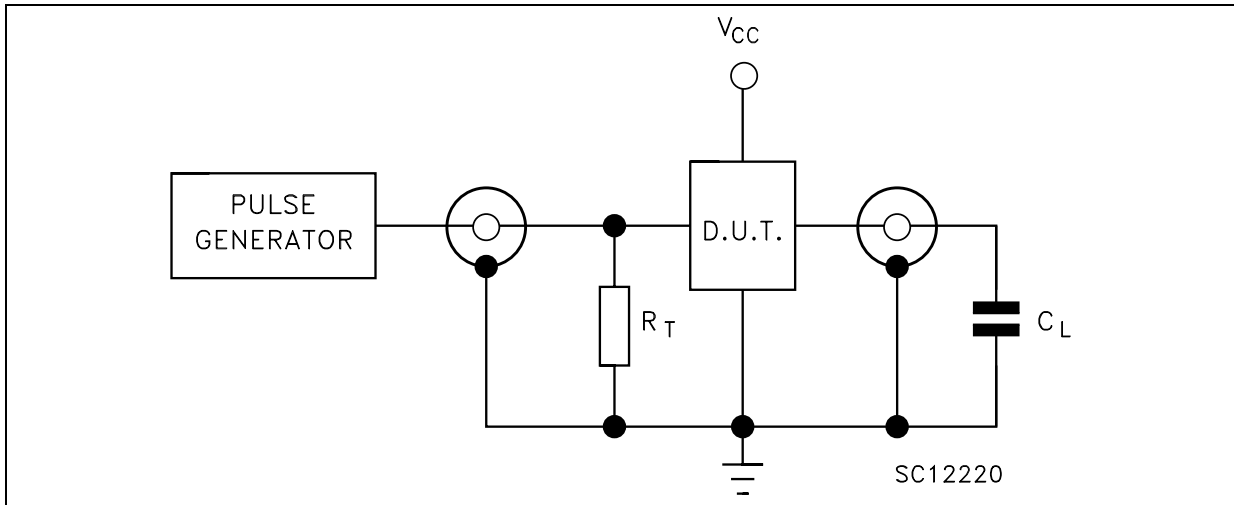
## CAPACITIVE CHARACTERISTICS

Symbol	Parameter	Test Condition		Value						Unit	
		$V_{CC}$ (V)		$T_A = 25^\circ\text{C}$			$-40 \text{ to } 85^\circ\text{C}$		$-55 \text{ to } 125^\circ\text{C}$		
				Min.	Typ.	Max.	Min.	Max.	Min.		Max.
$C_{IN}$	Input Capacitance	5.0			5	10		10		10	pF
$C_{PD}$	Power Dissipation Capacitance (note 1)	5.0			162						pF

1)  $C_{PD}$  is defined as the value of the IC's internal equivalent capacitance which is calculated from the operating current consumption without load. (Refer to Test Circuit). Average operating current can be obtained by the following equation.  $I_{CC(opr)} = C_{PD} \times V_{CC} \times f_{IN} + I_{CC}' \text{ Duty}/100 + I_{CC}''/2$  (per monostable) ( $I_{CC}'$ : Active Supply current) (Duty: %)

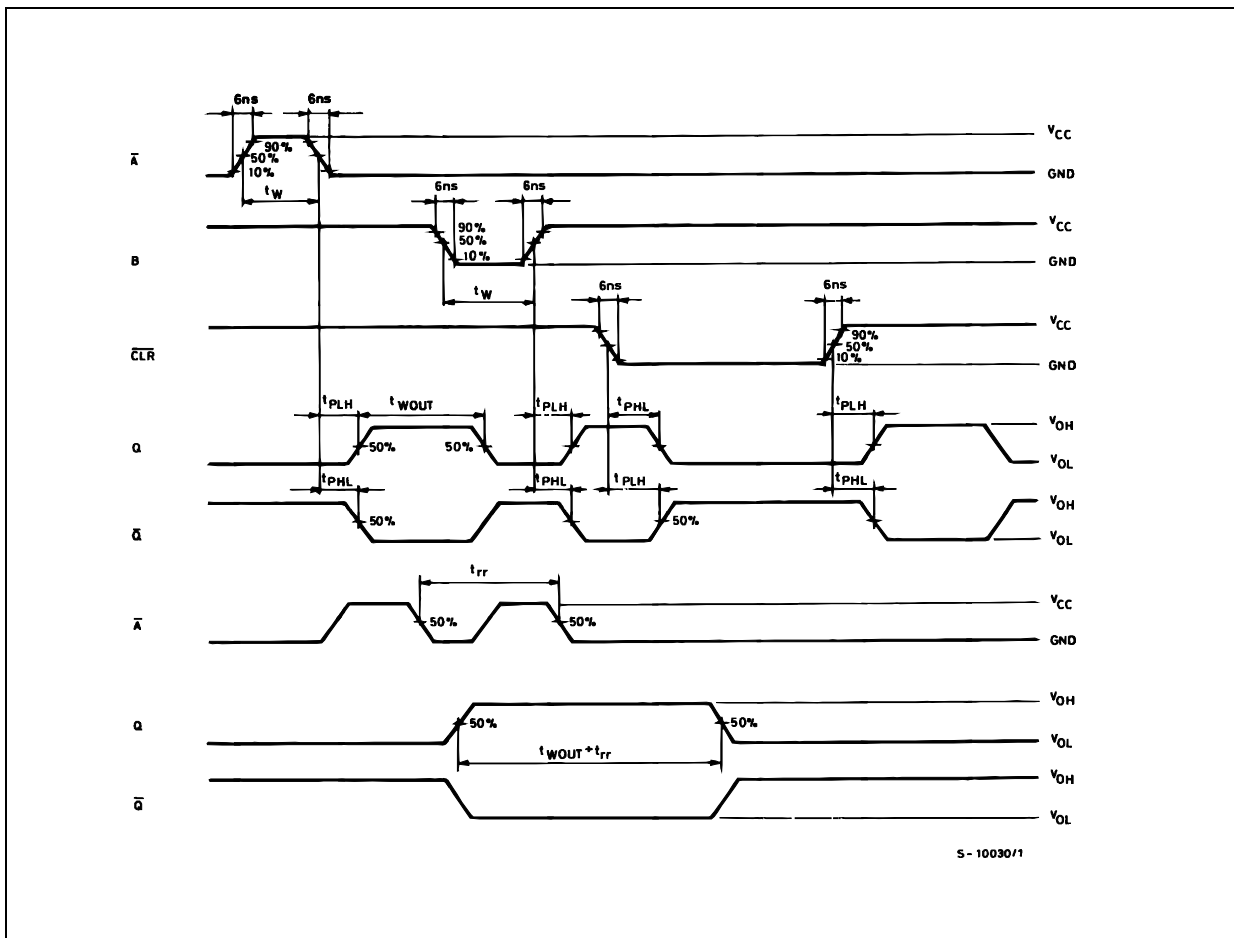


TEST CIRCUIT



$C_L = 50\text{pF}$  or equivalent (includes jig and probe capacitance)  
 $R_T = Z_{OUT}$  of pulse generator (typically  $50\Omega$ )

WAVEFORM : SWITCHING CHARACTERISTICS TEST WAVEFORM (f=1MHz; 50% duty cycle)



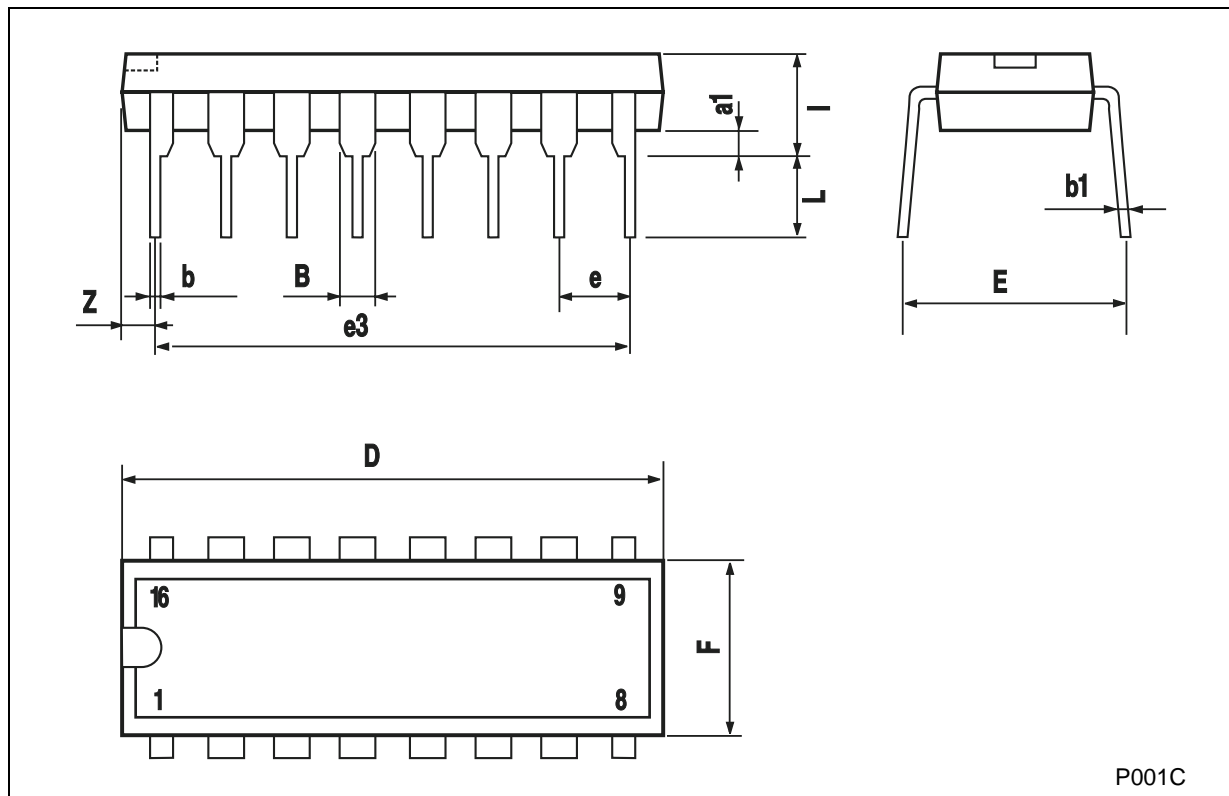
S-10030/1





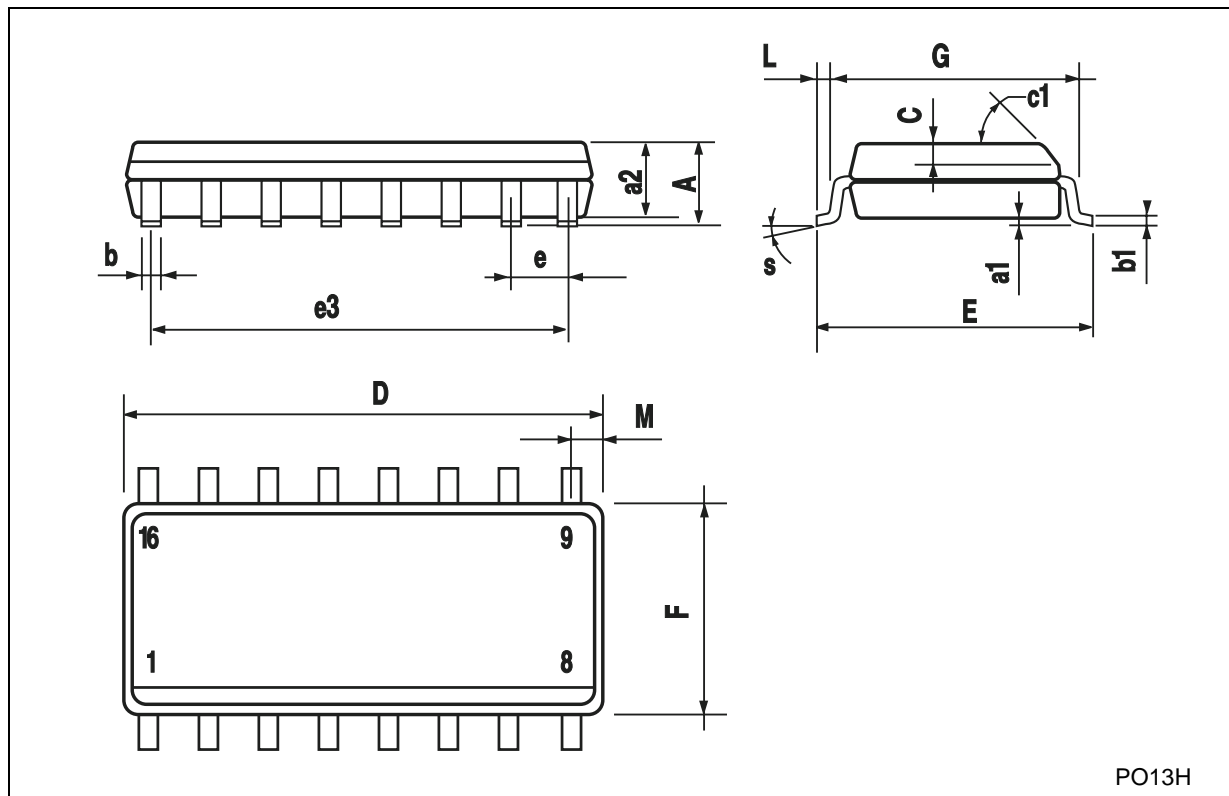
### Plastic DIP-16 (0.25) MECHANICAL DATA

DIM.	mm.			inch		
	MIN.	TYP	MAX.	MIN.	TYP.	MAX.
a1	0.51			0.020		
B	0.77		1.65	0.030		0.065
b		0.5			0.020	
b1		0.25			0.010	
D			20			0.787
E		8.5			0.335	
e		2.54			0.100	
e3		17.78			0.700	
F			7.1			0.280
I			5.1			0.201
L		3.3			0.130	
Z			1.27			0.050



## SO-16 MECHANICAL DATA

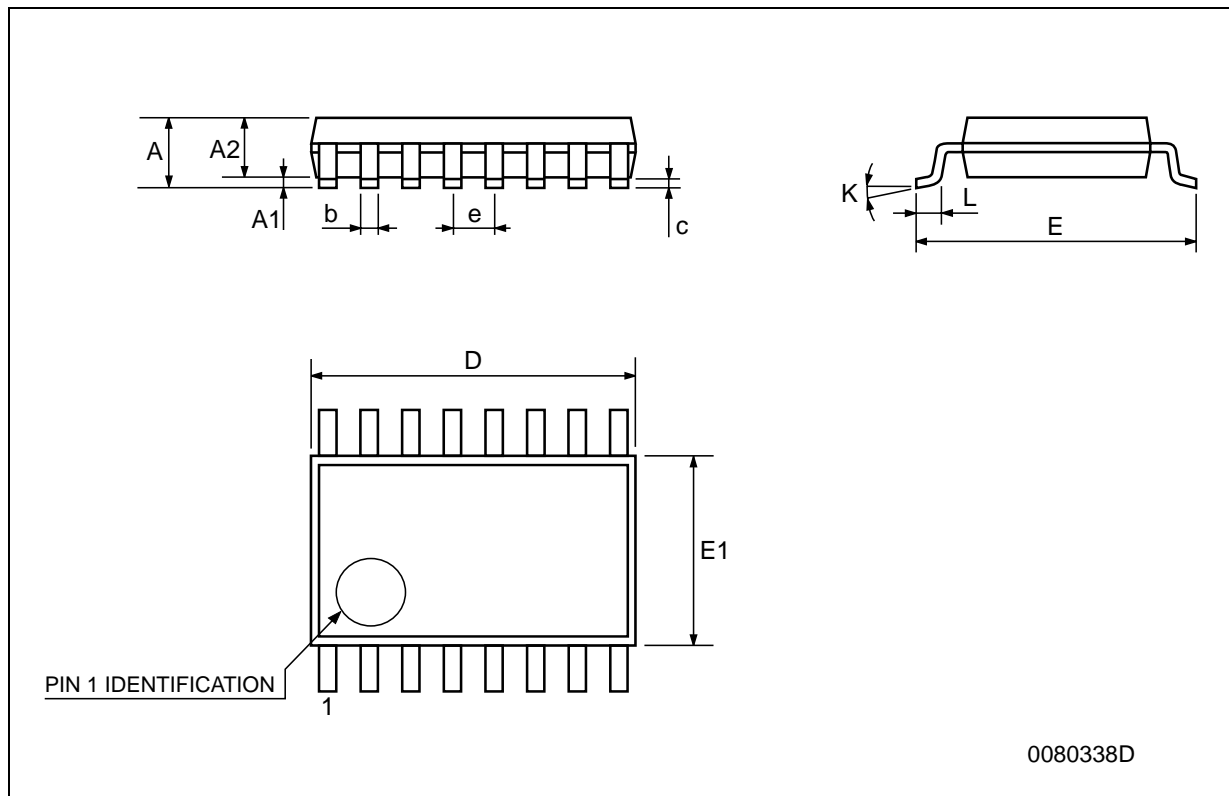
DIM.	mm.			inch		
	MIN.	TYP.	MAX.	MIN.	TYP.	MAX.
A			1.75			0.068
a1	0.1		0.2	0.003		0.007
a2			1.65			0.064
b	0.35		0.46	0.013		0.018
b1	0.19		0.25	0.007		0.010
C		0.5			0.019	
c1	45° (typ.)					
D	9.8		10	0.385		0.393
E	5.8		6.2	0.228		0.244
e		1.27			0.050	
e3		8.89			0.350	
F	3.8		4.0	0.149		0.157
G	4.6		5.3	0.181		0.208
L	0.5		1.27	0.019		0.050
M			0.62			0.024
S	8° (max.)					



PO13H

## TSSOP16 MECHANICAL DATA

DIM.	mm.			inch		
	MIN.	TYP.	MAX.	MIN.	TYP.	MAX.
A			1.2			0.047
A1	0.05		0.15	0.002	0.004	0.006
A2	0.8	1	1.05	0.031	0.039	0.041
b	0.19		0.30	0.007		0.012
c	0.09		0.20	0.004		0.0089
D	4.9	5	5.1	0.193	0.197	0.201
E	6.2	6.4	6.6	0.244	0.252	0.260
E1	4.3	4.4	4.48	0.169	0.173	0.176
e		0.65 BSC			0.0256 BSC	
K	0°		8°	0°		8°
L	0.45	0.60	0.75	0.018	0.024	0.030



Information furnished is believed to be accurate and reliable. However, STMicroelectronics assumes no responsibility for the consequences of use of such information nor for any infringement of patents or other rights of third parties which may result from its use. No license is granted by implication or otherwise under any patent or patent rights of STMicroelectronics. Specifications mentioned in this publication are subject to change without notice. This publication supersedes and replaces all information previously supplied. STMicroelectronics products are not authorized for use as critical components in life support devices or systems without express written approval of STMicroelectronics.

© The ST logo is a registered trademark of STMicroelectronics

© 2001 STMicroelectronics - Printed in Italy - All Rights Reserved  
STMicroelectronics GROUP OF COMPANIES

Australia - Brazil - China - Finland - France - Germany - Hong Kong - India - Italy - Japan - Malaysia - Malta - Morocco  
Singapore - Spain - Sweden - Switzerland - United Kingdom

© <http://www.st.com>