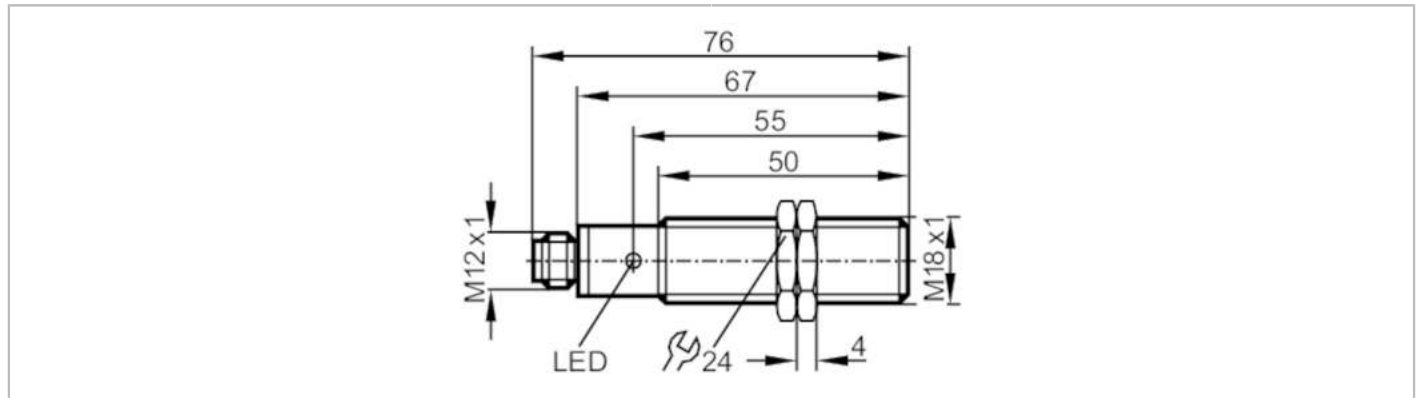


# IG5773



## Inductive sensor

IGA2005-FRKG/US-100-IRF RT



### Product characteristics

Electrical design	PNP/NPN	
Output function	normally open / normally closed; (selectable)	
Sensing range [mm]	5	
Housing	threaded type	
Dimensions [mm]	M18 x 1 / L = 76	

### Electrical data

Operating voltage [V]	10...55 DC	
Protection class	II	
Reverse polarity protection	yes	

### Outputs

Electrical design	PNP/NPN	
Output function	normally open / normally closed; (selectable)	
Max. voltage drop switching output DC [V]	4.6	
Minimum load current [mA]	4	
Max. leakage current [mA]	0.8	
Permanent current rating of switching output DC [mA]	300	
Switching frequency DC [Hz]	700	
Short-circuit protection	yes	
Type of short-circuit protection	pulsed	
Overload protection	yes	

### Detection zone

Sensing range [mm]	5	
Real sensing range $S_r$ [mm]	$5 \pm 10\%$	
Operating distance [mm]	0...4.05	

### Accuracy / deviations

Correction factor	steel: 1 / stainless steel: 0.7 / brass: 0.4 / aluminium: 0.4 / copper: 0.3	
Hysteresis [% of $S_r$ ]	3...15	
Switch point drift [% of $S_r$ ]	-10...10	

# IG5773



## Inductive sensor

IGA2005-FRKG/US-100-IRF RT

Operating conditions		
Ambient temperature	[°C]	-25...80
Protection		IP 67
Tests / approvals		
EMC	EN 60947-5-2	
	EN 55011	class B
MTTF	[years]	1835
UL approval	Ta	0...40 °C
	Enclosure type	Type 1
	power supply	Hazardous voltage
	File number UL	E174191
Mechanical data		
Weight	[g]	66.5
Housing		threaded type
Mounting		flush mountable
Dimensions	[mm]	M18 x 1 / L = 76
Thread designation		M18 x 1
Materials		brass white bronze coated; PC
Displays / operating elements		
Display	switching status	1 x LED, red
Accessories		
Items supplied		lock nuts: 2
Remarks		
Pack quantity		1 pcs.
Electrical connection - plug		

Connector: 1 x M12; coding: A

