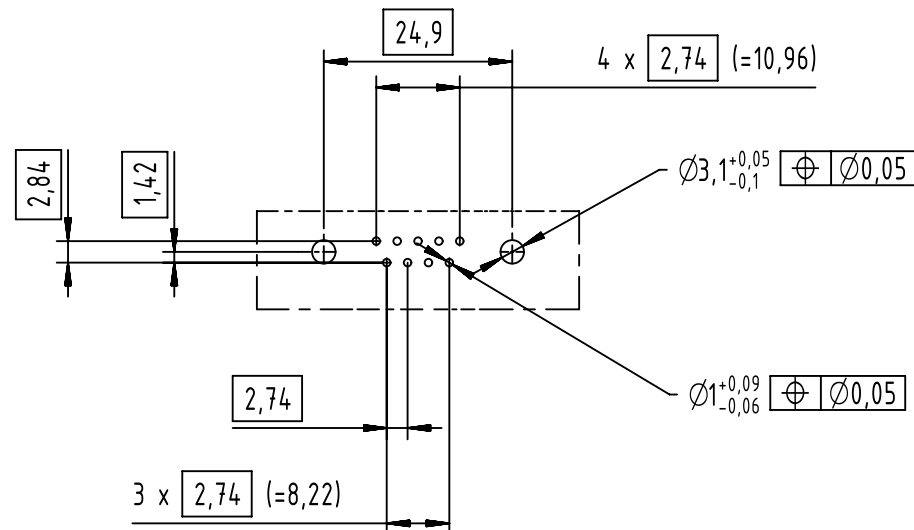
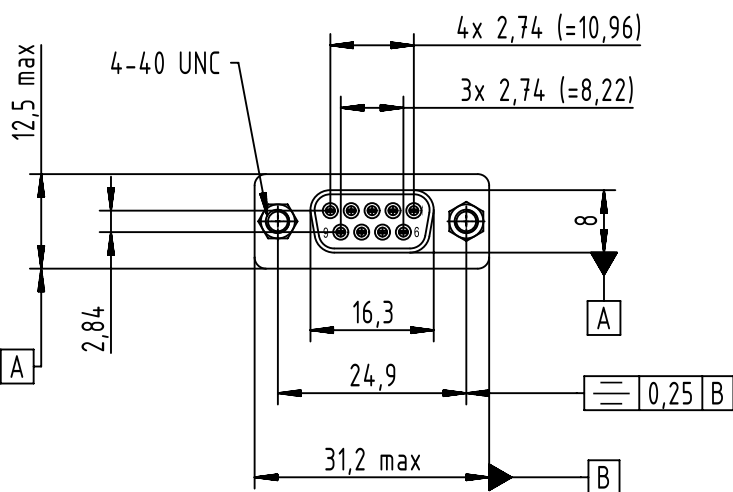


PC-Board layout  
view component side  
thickness up to 3,2 mm



All Dimensions in mm  
Original Size DIN A4

Scale  
1:1

Free size tol.

Ref.

Sub.



All rights reserved

Department EC PD - FR

Created by  
LAVERGNEC

Inspected by  
BAGDIKIAN

Standardisation  
HOFFMANN

Date  
2014-04-02

State  
Final Release

Title  
D-Sub 9-pole straight female press-in

Doc-Key / ECM-Nr.  
100571936/UGD/001/A  
500000072779

Type  
TB

Number  
0966154X513

Rev.  
A

Page  
1/1

HARTING Electronics GmbH

D-32339 Espelkamp

09661547513	3	6	4,20
09661546513	2	6	4,20
09661545513	S4 PdNi	6	4,20
Part number	Performance level	A +/- 0,2	B +/- 0,2