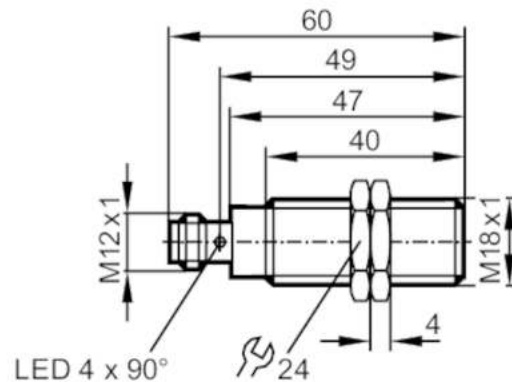


OGP200



Retro-reflective sensor

OGP-DPKG/US100



Product characteristics

Type of light	red light
Housing	threaded type

Application

Special feature	polarisation filter
Function principle	Retro-reflective sensor

Electrical data

Operating voltage	[V]	10...36 DC
Current consumption	[mA]	15
Protection class		II
Reverse polarity protection		yes
Type of light		red light
Wave length	[nm]	624

Outputs

Electrical design		PNP
Output function		dark-on mode
Max. voltage drop switching output DC	[V]	2.5
Permanent current rating of switching output DC	[mA]	200
Switching frequency DC	[Hz]	1000
Short-circuit protection		yes
Type of short-circuit protection		pulsed
Overload protection		yes

Detection zone

Range referred to prismatic reflector	[m]	0.03...4; (Prismatic reflector Ø 80 E20005)
Range adjustable		no
Max. light spot diameter	[mm]	160
Light spot dimensions refer to		at maximum range

OGP200



Retro-reflective sensor

OGP-DPKG/US100

Polarisation filter available	yes
-------------------------------	-----

Operating conditions

Ambient temperature [°C]	-25...60
--------------------------	----------

Protection	IP 67
------------	-------

Tests / approvals

EMC	EN 60947-5-2
-----	--------------

MTTF [years]	509
--------------	-----

Mechanical data

Weight [g]	49.75
------------	-------

Housing	threaded type
---------	---------------

Dimensions [mm]	M18 x 1 / L = 60
-----------------	------------------

Thread designation	M18 x 1
--------------------	---------

Materials	housing: stainless steel (1.4404 / 316L)
-----------	--

Lens material	PMMA
---------------	------

Displays / operating elements

Display	switching status	1 x LED, yellow
---------	------------------	-----------------

Accessories

Items supplied	lock nuts: 2 x
----------------	----------------

Remarks

Remarks	operating voltage "supply class 2" according to cULus
---------	---

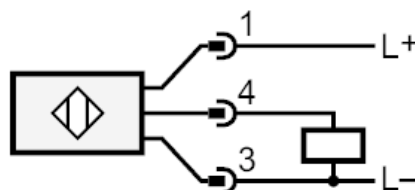
Pack quantity	1 pcs.
---------------	--------

Electrical connection

Connector: 1 x M12; coding: A



Connection



OGP200



Retro-reflective sensor

OGP-DPKG/US100

Diagrams and graphs

excess gain graph

