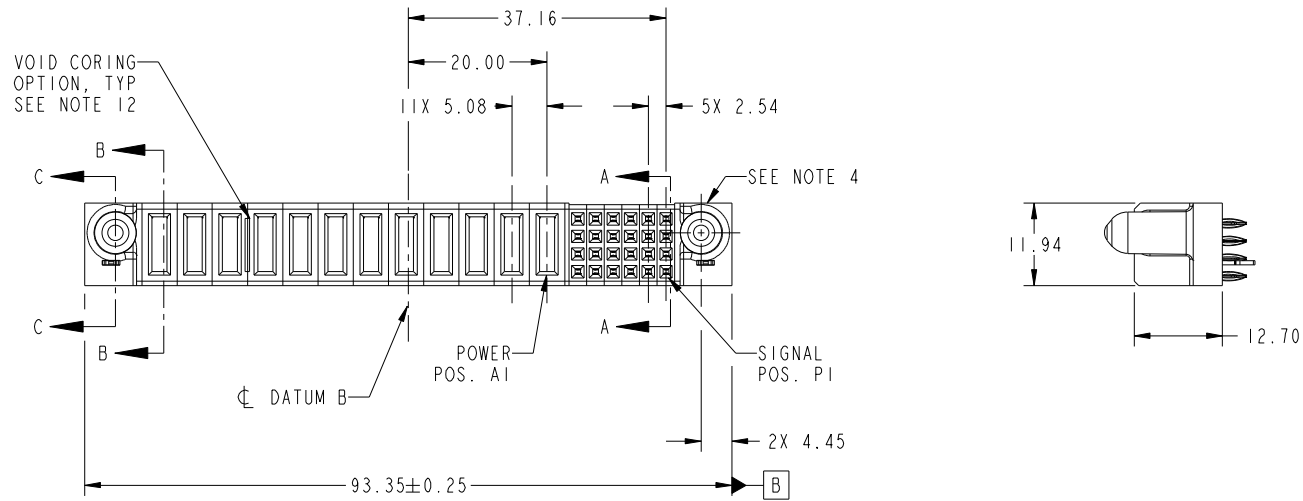


Tous droits strictement reserves. Reproduction ou communication a des tiers interdite sous quelque forme que ce soit sans autorisation écrite du propriétaire. Propriete de c FCI. Droits de reproduction FCI.

All rights strictly reserved. Reproduction or issue to third parties in any form whatever is not permitted without written authority from the proprietor. Property of FCI. Copyright FCI.



PRODUCT NO.	ROWS	POWER												SIGNAL					E1		
		E2	P12	P11	P10	P9	P8	P7	P6	P5	P4	P3	P2	P1	6	5	4	3		2	1
51940-332-- NOTE: 3	D C B A		PF	PF	PF	PF	PF	PF	PC	PC	PC	PC	PC	PC	F	F	F	F	F	F	



CODE	DIM "M" MATING LENGTH	CONTACT TYPE
PF	[ 2.34 ]	POWER
F	[ N/A ]	SIGNAL
HA	[ N/A ]	HOLD-DOWN
PC	[ 1.07 ]	POWER

mat'l code				SEE NOTES		tolerances unless otherwise specified		CUSTOMER		FCI	
ltr	ecn no.	dr	date	linear	0.X ± 0.5	COPY		www.fciconnect.com		title	
A	DG10-0105	ZWL	03/17/10	angles	0.XX ± 0.25	projection		24S + 12P		VERTICAL PRESS FIT RECEPT	
				dr	0.XXX ± 0.1	MIM		product family		PwrBlade	code
				enr	0° ± 2°	scale		size		dwg no	213
				chr	WL ZHANG 03/17/10	1:1		A		51940-332	sheet
				appd	WL ZHANG 03/17/10						1 of 4
					PM ZHENG 03/17/10						
					Joseph Hsia 03/17/10						
sheet index	revision sheet	A	A	A	A						
		1	2	3	4						

cage code 22526

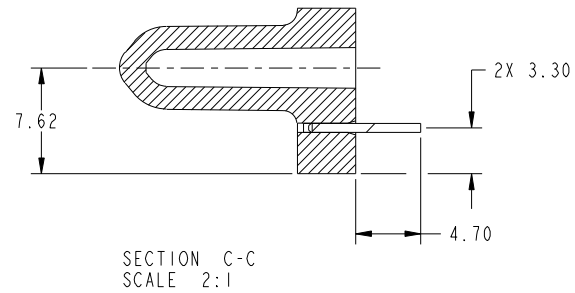
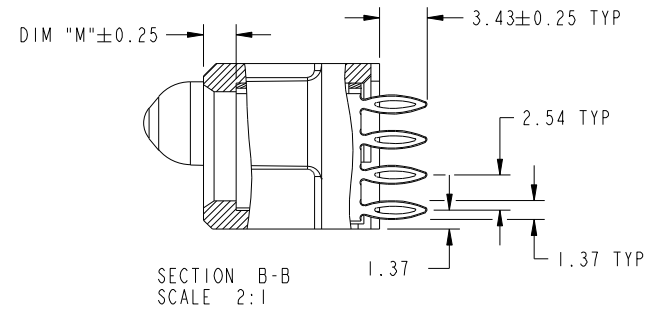
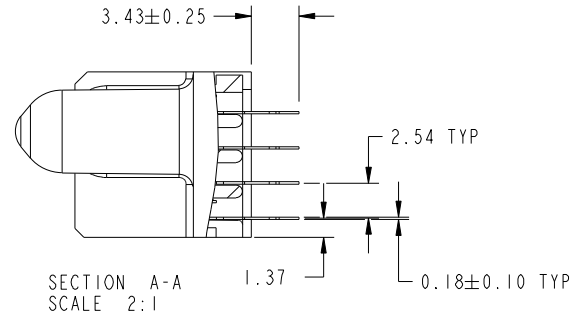
Pro/E

Tous droits strictement reserves. Reproduction ou communication a des tiers interdite sous quelque forme que ce soit sans autorisation écrite du propriétaire. Propriete de c FCI. Droits de reproduction FCI.



All rights strictly reserved. Reproduction or issue to third parties in any form whatever is not permitted without written authority from the proprietor. Property of FCI. Copyright FCI.

PRODUCT NUMBER  
51940-332--  
NOTE: 3



mat'l code				tolerances unless otherwise specified		CUSTOMER		FCI	
ltr	ecn no.	dr	date	linear	0.X ±0.5	COPY		www.fciconnect.com	
A					0.XX ±0.25	projection		title	
				angles	0.XXX ±0.1			24S + 12P VERTICAL PRESS FIT RECEIPT	
				dr	0° ±2°			product family PwrBlade code	
				enr	WL ZHANG 03/17/10	scale		size	
				chr	WL ZHANG 03/17/10	1:1		dwg no	
				appd	PM ZHENG 03/17/10			51940-332	
					Joseph Hsia 03/17/10			sheet	
sheet index		revision sheet						2 of 4	

cage code 22526

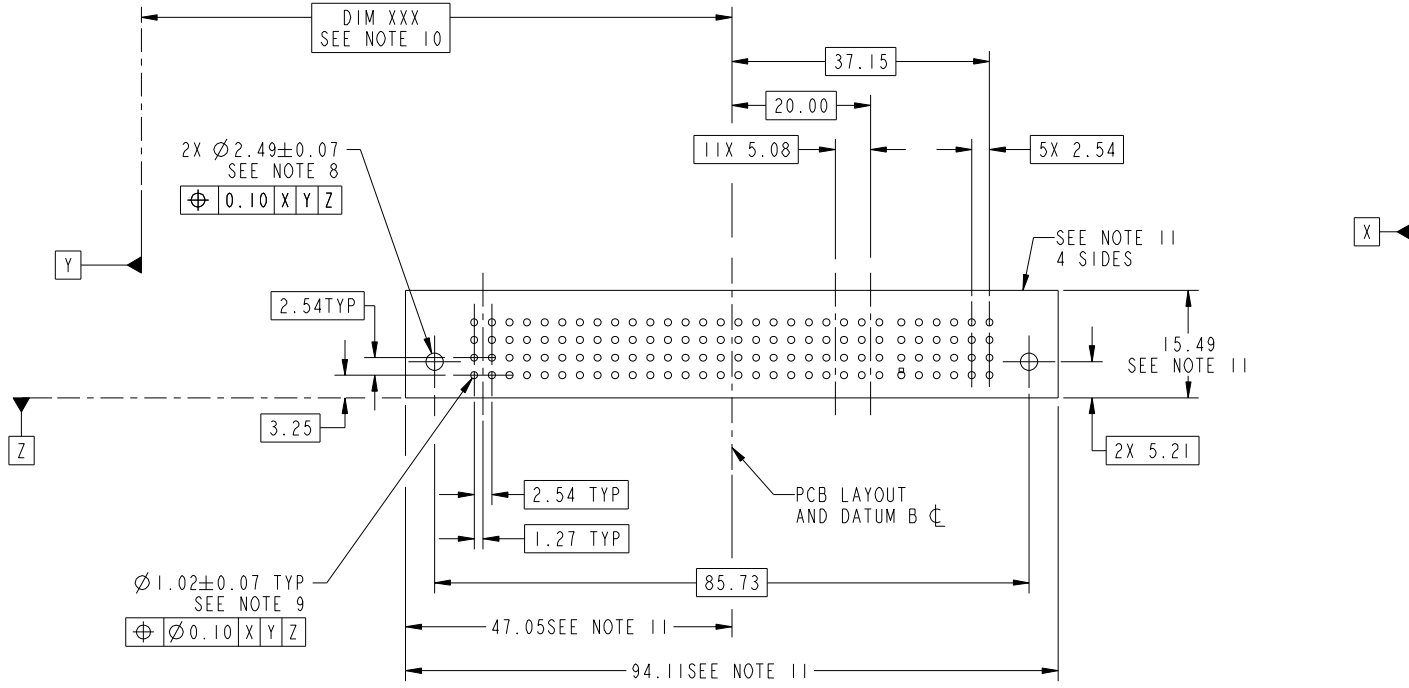
Pro/E

Tous droits strictement reserves. Reproduction ou communication a des tiers interdite sous quelque forme que ce soit sans autorisation écrite du propriétaire. Propriete de c FCI. Droits de reproduction FCI.



All rights strictly reserved. Reproduction or issue to third parties in any form whatever is not permitted without written authority from the proprietor. Property of FCI. Copyright FCI.

PRODUCT NUMBER  
51940-332--  
NOTE: 3



RECOMMENDED PCB LAYOUT

mat'l code				tolerances unless otherwise specified		CUSTOMER		FCI	
ltr	ecn no.	dr	date	linear	0.X ± 0.5	COPY		www.fciconnect.com	
A				linear	0.XX ± 0.25	projection		title	
				angles	0.XXX ± 0.1			24S + 12P VERTICAL PRESS FIT RECEPT	
				dr	0° ± 2°	MIM		product family PwrBlade code	
				enr	WL ZHANG 03/17/10	scale		size	
				chr	WL ZHANG 03/17/10	1:1		dwg no	
				appd	PM ZHENG 03/17/10			51940-332	
					Joseph Hsia 03/17/10			sheet	
sheet index		revision sheet						3 of 4	

cage code 22526

Pro/E

Tous droits strictement reserves. Reproduction ou communication a des tiers interdite sous quelque forme que ce soit sans autorisation écrite du propriétaire. Propriete de c FCI. Droits de reproduction FCI.



All rights strictly reserved. Reproduction or issue to third parties in any form whatever is not permitted without written authority from the proprietor. Property of FCI. Copyright FCI.

PRODUCT NUMBER  
51940-332--  
NOTE: 3

NOTES:

1. DIMENSIONS AND TOLERANCES ARE IN ACCORDANCE WITH ASME Y14.5M, 1994 UNLESS OTHERWISE SPECIFIED.

CONNECTOR NOTES:

- 2 HOUSING MATERIAL: UL 94 V-0 GLASS FILLED HIGH-TEMP THERMOPLASTIC  
POWER CONTACT MATERIAL: COPPER ALLOY  
SIGNAL PIN MATERIAL: COPPER ALLOY
- 3. SEE ITEM 7 & 8 IN PRINT 10064183 FOR PLATING SPEC OF 51940-332 AND 51940-332LF RESPECTIVELY.
- 4 MANUFACTURER'S NAME, DATE CODE AND OPTIONAL P/N TO APPEAR ON THIS SURFACE.  
THE P/N CAN BE OMITTED IF THERE IS NOT ENOUGH SPACE ON THIS SURFACE.
- 5. PRODUCT SPECIFICATION GS-12-149.  
APPLICATION SPECIFICATION BUS-20-067.
- 6. PACKAGED IN TRAYS.

PCB NOTES:

- 7. ALL HOLE DIAMETERS ARE FINISHED HOLE SIZE.
- 8 MOUNTING HOLES, WHERE APPLICABLE, ARE UNPLATED.
- 9  $\varnothing 1.151 \pm 0.025$  DRILLED HOLES PLATED WITH  
0.008 MIN SnPb OR Sn OVER 0.03  
TO 0.08 Cu PLATING TO ACHIEVE  
 $\varnothing 1.02 \pm 0.07$  HOLE.
- 10 "DIM XXX" TO BE DETERMINED BY THE CUSTOMER.
- 11 CONNECTOR KEEP-OUT ZONE.
- 12. THE VOID CORING IN BETWEEN POWER MODULES, SIGNAL MODULES AND END MODULES ARE OPTIONAL AND THE SHAPE MAY BE DIFFERENT FOR OPTIMIZE THE MOLDING PROCESS. THE VOID CORING WILL NOT EFFECT TO PRODUCT FUNCTION.

mat'l code				tolerances unless otherwise specified		CUSTOMER		FCI	
ltr	ecn no.	dr	date	linear	0.X ± 0.5	COPY		www.fciconnect.com	
A				projection	0.XX ± 0.25	title		24S + 12P	
				angles	0.XXX ± 0.1	VERTICAL PRESS FIT RECEIPT			
				dr	0° ± 2°	product family		PwrBlade	code
				enr	WL ZHANG 03/17/10	size		dwg no	213
				chr	WL ZHANG 03/17/10	scale		51940-332	sheet
				appd	PM ZHENG 03/17/10	1:1		4 of 4	
					Joseph Hsia 03/17/10				
sheet index	revision sheet								

cage code 22526

Pro/E