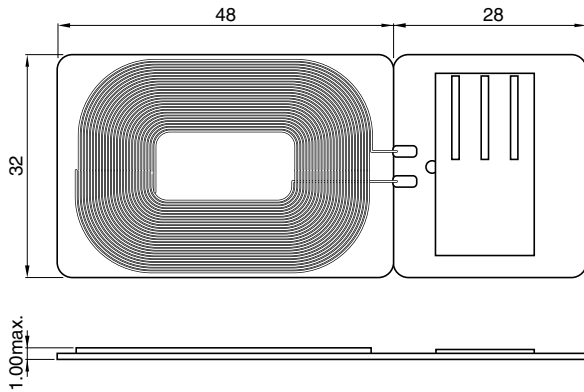


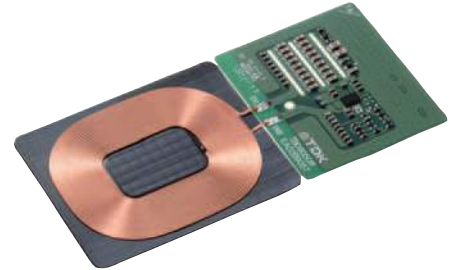
## Rx Modules

## WRM483245-15F5-5V-G

### SHAPE & DIMENSIONS



Dimensions in mm



### ELECTRICAL CHARACTERISTICS

#### CHARACTERISTICS SPECIFICATION TABLE

##### Rx coil unit

Inductance ( $\mu\text{H}$ ) [100kHz, 1Vrms]	DC resistance ( $\Omega$ )max. [25°C]
13	0.27

##### Rx module

Output voltage (V)	Output current (A)	Efficiency* (%)ref.	IC Information
4.95 to 5.05 (BQ51013B)	0.5 to 0.7	72	BQ51013B (TI wireless charging IC)

\* Contact us for more information.