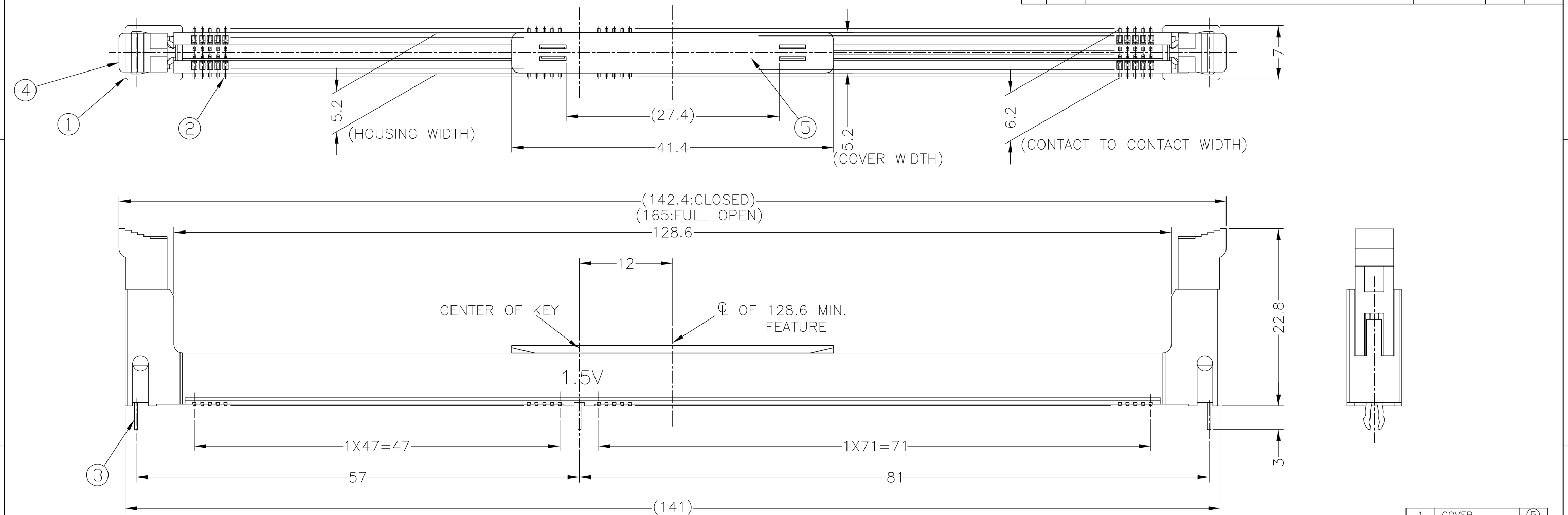


THIS DRAWING IS UNPUBLISHED. RELEASED FOR PUBLICATION
 © COPYRIGHT - By Tyco Electronics Japan G.K. ALL RIGHTS RESERVED.

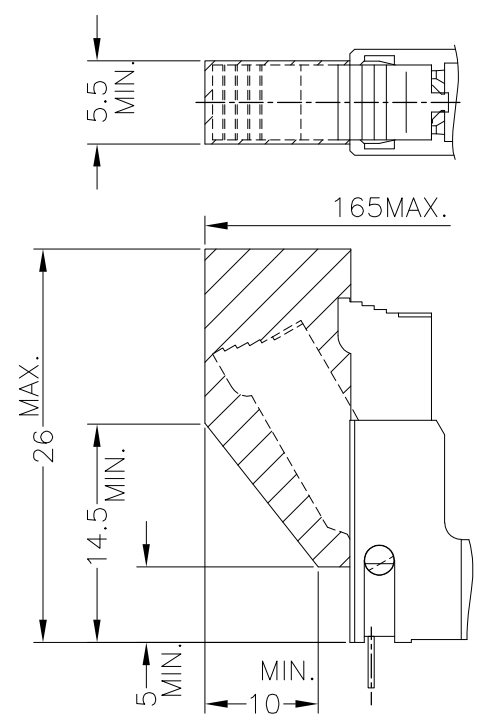
LOC	DIST	REVISIONS					
J	/	P	LTR	DESCRIPTION	DATE	DWN	APVD
		D		REVISED	01MAR2011	K.M	E.T
		E		ECR-13-009631	17JUN2013	R.M	C.W



1	COVER	⑤
2	EXTRACTOR	④
3	LEG	③
240	CONTACT	②
1	HOUSING	①
QTY	NAME	ITEM

- MATERIAL
 HOUSING : THERMOPLASTIC, UL94V-0,
 CONTACT : COPPER ALLOY
 LEG : COPPER ALLOY
 EXTRACTOR : THERMOPLASTIC, UL94V-0
 COVER : THERMOPLASTIC, UL94V-0, MILK-WHITE
- FINISH
 CONTACT : SEE TABLE
 SOLDER PEG : TIN PL., Ni UNDER PL. ALL OVER
- GENERAL TOLERANCES : 10 ≥ : ±0.2
 >10 : ±0.3
 ANGLES : ±3°
- CONFORMS TO THE REQUIREMENTS OF
 EIA/ECA-364-1000.01A (CONTROLLED ENVIRONMENT APPLICATIONS,
 AND TE PRODUCT SPECIFICATION 108-78570.

	BLACK	NATURAL	Au PL. 0.00076mm MIN. ON CONTACT AREA TIN PL. ON SOLDERING AREA Ni UNDER PL. 0.00127mm ALL OVER	2040727-7
(E)	OBSOLETE	BLACK	Au PL. 0.00076mm MIN. ON CONTACT AREA TIN PL. ON SOLDERING AREA Ni UNDER PL. 0.00127mm ALL OVER	2040727-6
(E)	OBSOLETE	NATURAL	Au PL. 0.00076mm MIN. ON CONTACT AREA TIN PL. ON SOLDERING AREA Ni UNDER PL. 0.00127mm ALL OVER	2040727-5
(E)	OBSOLETE	BLACK	Au PL. 0.00038mm MIN. ON CONTACT AREA TIN PL. ON SOLDERING AREA Ni UNDER PL. 0.00127mm ALL OVER	2040727-4
	BLACK	NATURAL	Au PL. 0.00005mm MIN. WITH Pd-Ni 0.00076mm MIN. ON CONTACT AREA TIN PL. ON SOLDERING AREA Ni UNDER PL. 0.002mm ALL OVER	2040727-1
	HOUSING COLOR	EXTRACTOR COLOR	CONTACT FINISH	PART NUMBER

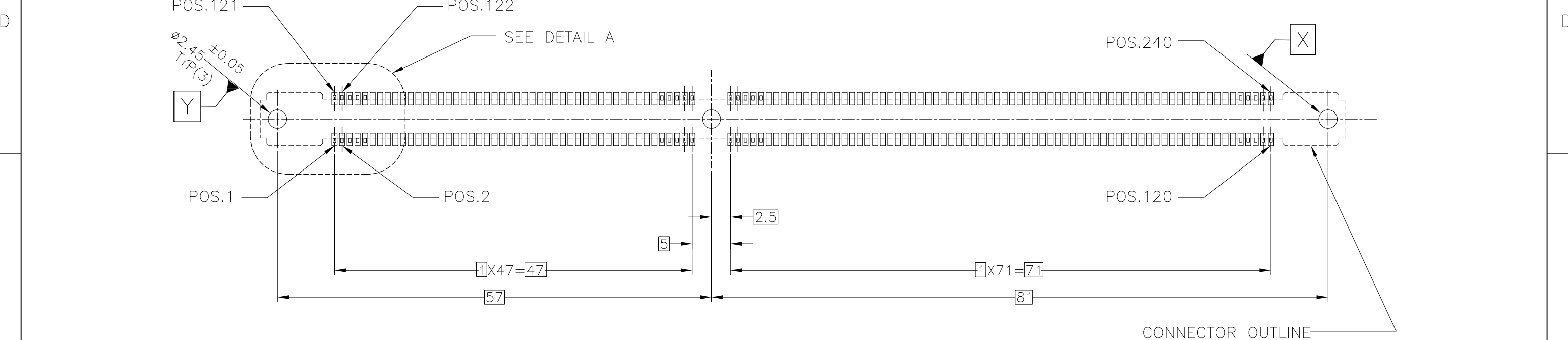


KEEP OUT AREA RESERVED FOR EXTRACTORS
 (HATCHING AREA, 2 PLC TYP.)

THIS DRAWING IS A CONTROLLED DOCUMENT.		DWN T.KAWAMAE 22AUG08	TE Connectivity SOCKET ASSEMBLY DDR-III, SMT, 240P	
DIMENSIONS: 単位: 耗 mm		CHK K.IKEGAMI 22AUG08		
TOLERANCES UNLESS OTHERWISE SPECIFIED: 一般公差		APVD K.IKEGAMI 22AUG08	NAME 名称	
0 PLC ± - 1 PLC ± - 2 PLC ± - 3 PLC ± - 4 PLC ± - ANGLES ± -		PRODUCT SPEC 製品規格 108-78570	RESTRICTED TO	
MATERIAL 材料 SEE NOTE		APPLICATION SPEC 取付適用規格	SIZE A3	CAGE CODE 00779
FINISH 仕上 SEE NOTE		WEIGHT 6.4g	DRAWING NO 番号 C-2040727	SCALE 尺度 2:1
		CUSTOMER DRAWING	SHEET 1 OF 4	REV E

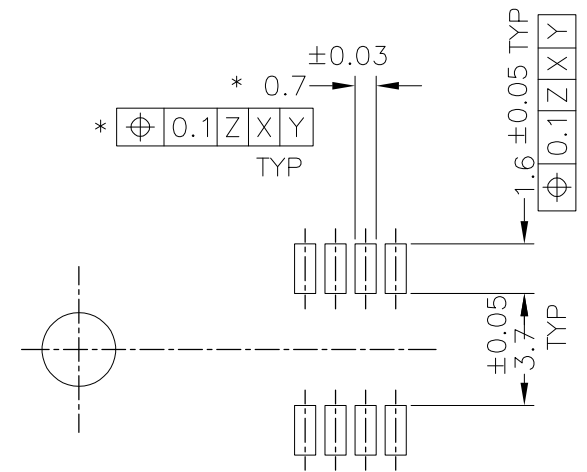
THIS DRAWING IS UNPUBLISHED. RELEASED FOR PUBLICATION
 © COPYRIGHT - By Tyco Electronics Japan G.K. ALL RIGHTS RESERVED.

LOC	DIST	REVISIONS		
J		P	LTR	DESCRIPTION
		-	-	SEE SHEET 1
				DATE
				DWN
				APVD



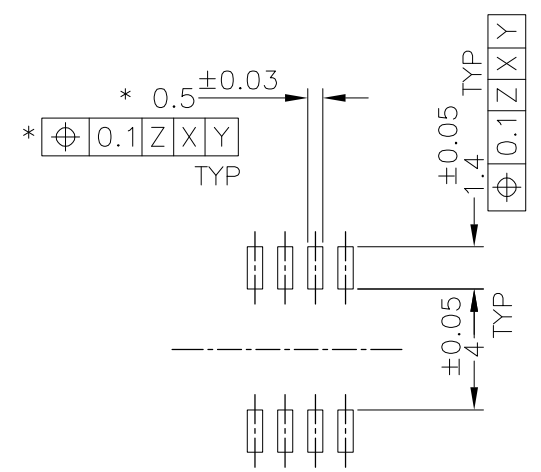
REFERENCE PCB LAYOUT
(VIEWED FROM CONNECTOR SIDE)

Z : PCB SURFACE



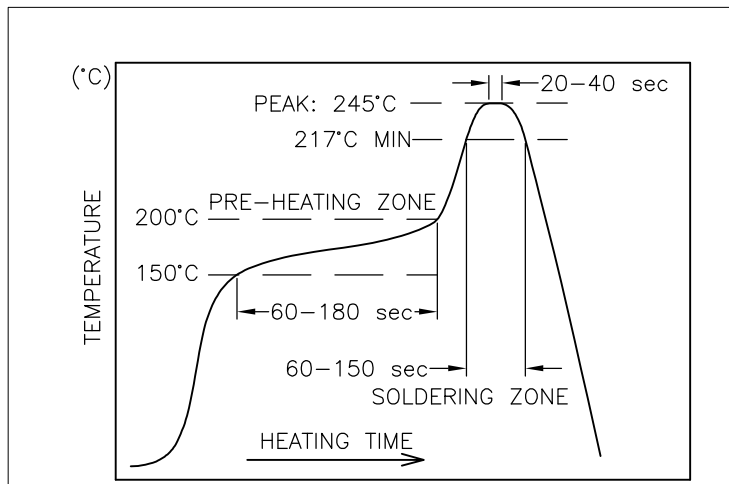
DETAIL A
(4:1)

*: TOLERANCE; NON-CUMMIRATIVE



REFERENTIAL METAL MASK PAD OPENING
(4:1)

*: TOLERANCE; NON-CUMMIRATIVE

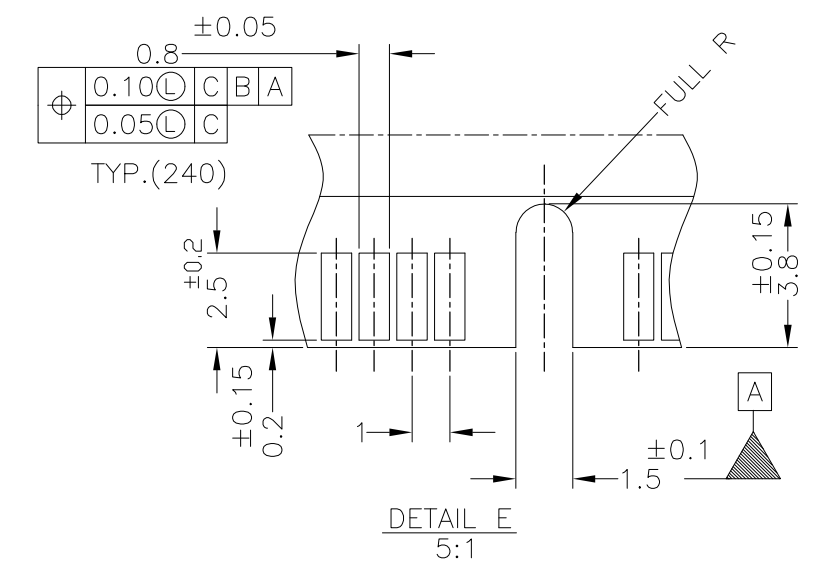
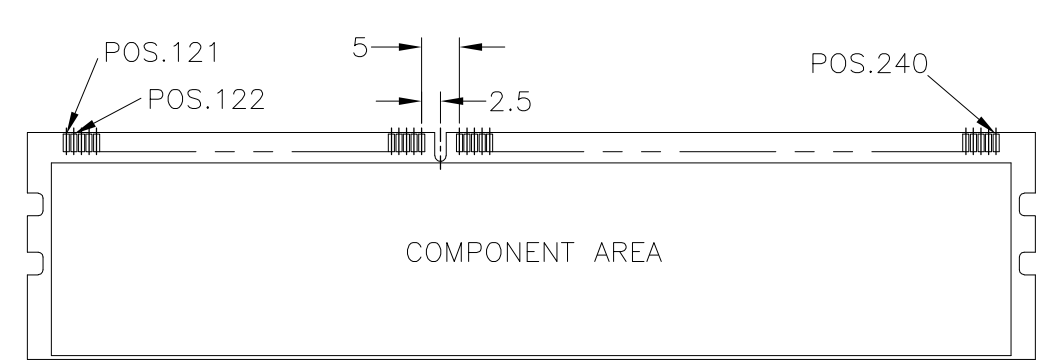
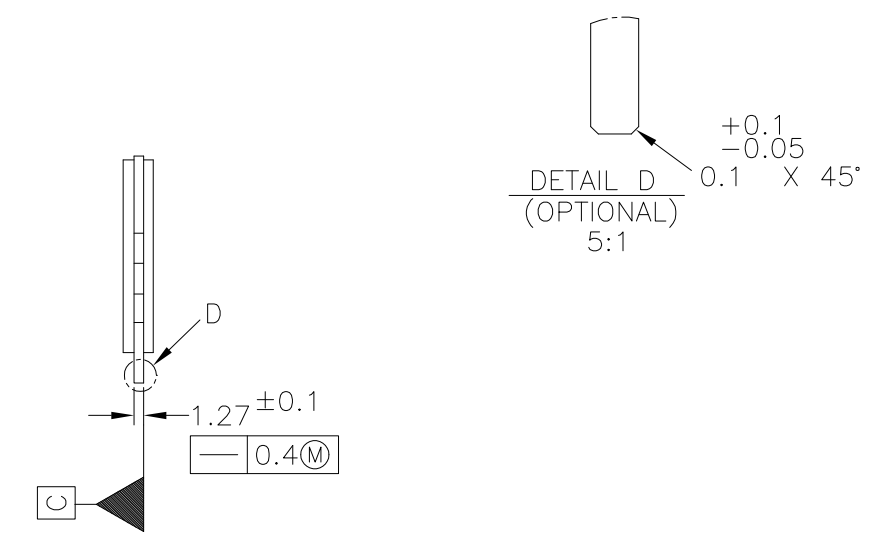
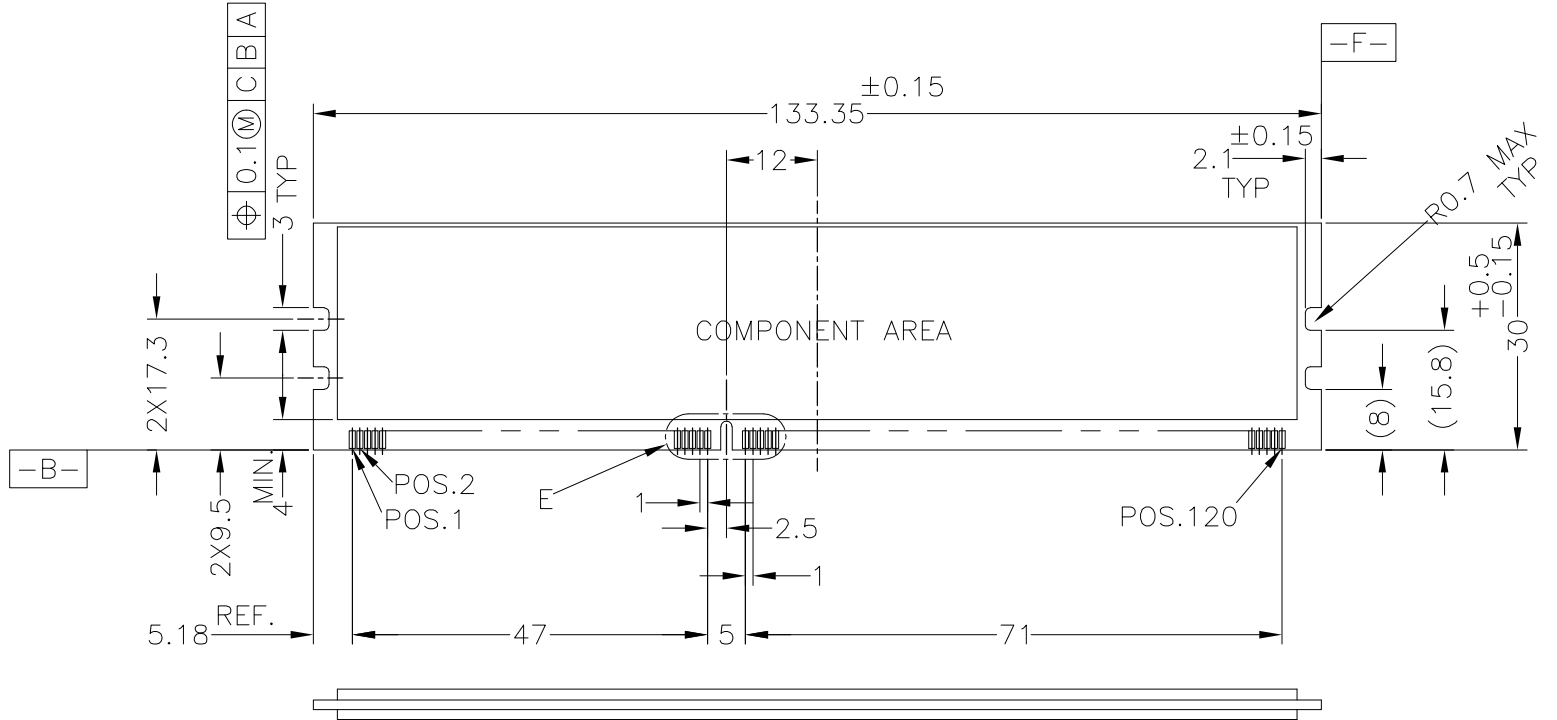


REFERENTIAL REFLOW TEMPERATURE PROFILE
(BASED ON IPC/JEDEC J-STD-020C)

RECOMMENDED PC BOARD X/Y CTE. 10-14 [ppm/DEGREE CELSIUS]
 PLEASE VERIFY CTE MATCHING BEFORE USING THE SOCKETS.
 FOR ANY INQUIRY. PLEASE CONTACT TYCO ELECTRONICS.

THIS DRAWING IS A CONTROLLED DOCUMENT.		DWN	STE TE Connectivity		
DIMENSIONS: 単位: 耗 mm		CHK	NAME 名称		
TOLERANCES UNLESS OTHERWISE SPECIFIED: 一般公差		APVD	SOCKET ASSEMBLY		
0 PLC ± -		PRODUCT SPEC 製品規格	DDR-III, SMT, 240P		
1 PLC ± -		APPLICATION SPEC 取付適用規格	SIZE	CAGE CODE	DRAWING NO 番号
2 PLC ± -		WEIGHT	A3	00779	C-2040727
3 PLC ± -		CUSTOMER DRAWING			
4 PLC ± -		SCALE 尺度	2:1	SHEET 2 of 4	REV E
ANGLES ± -					
FINISH 仕上					
MATERIAL 材料					

LOC	DIST	REVISIONS					
		P	LTR	DESCRIPTION	DATE	DWN	APVD
J		-	-	SEE SHEET 1	-	-	-



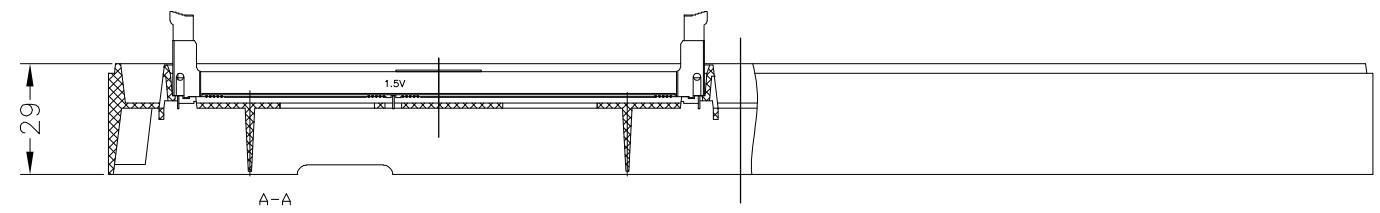
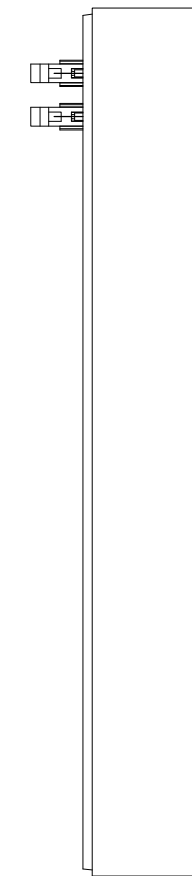
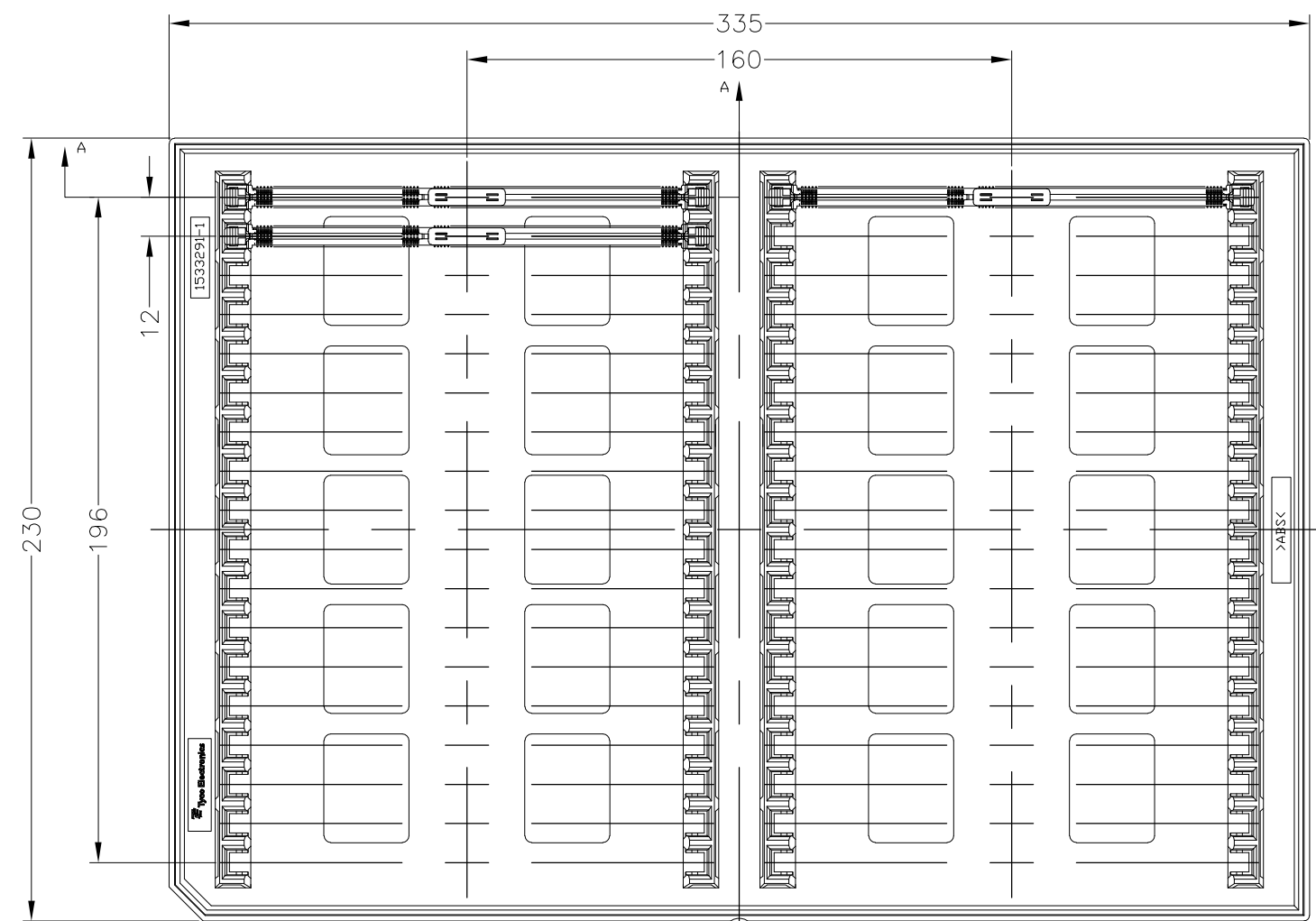
REFERENCE DIMM PCB LAYOUT

- RECOMMENDED PLATING FOR CONTACT PADS ARE:
- 1) PREFERABLE PLATING : ELECTROLYTIC GOLD PLATING 0.76 MICROMETERS MINIMUM OVER ELECTROLYTIC NICKEL 2.00 MICROMETERS MINIMUM.
 - 2) ALTERNATIVE PLATING : GOLD PLATING 0.05-0.75 MICROMETERS OVER NICKEL 2.00 MICROMETERS MINIMUM MUST USE AN ELECTRONIC CONTACT GRADE CORROSIVE BARRIER LUBRICANT.

THIS DRAWING IS A CONTROLLED DOCUMENT.		DWN	TE Connectivity		
DIMENSIONS: 単位: 耗 mm		CHK			
TOLERANCES UNLESS OTHERWISE SPECIFIED: 一般公差		APVD	SOCKET ASSEMBLY		
0 PLC ± -		PRODUCT SPEC 製品規格	DDR-III, SMT, 240P		
1 PLC ± -		APPLICATION SPEC 取付適用規格	SIZE	CAGE CODE	DRAWING NO 番号
2 PLC ± -		WEIGHT	A3	00779	C-2040727
3 PLC ± -		CUSTOMER DRAWING		SCALE 尺度	SHEET
4 PLC ± -				1:1	3 OF 4
ANGLES ± -				REV	E
FINISH 仕上					
MATERIAL 材料					

THIS DRAWING IS UNPUBLISHED. RELEASED FOR PUBLICATION
 © COPYRIGHT - By Tyco Electronics Japan G.K. ALL RIGHTS RESERVED.

LOC J	DIST /	REVISIONS 変更			DATE	DWN	APVD
P	LTR	DESCRIPTION					
-	-	SEE SHEET 1		-	-	-	



QTY: 36EA/TRAY

THIS DRAWING IS A CONTROLLED DOCUMENT.		DWN	TE Connectivity NAME 名称 SOCKET ASSEMBLY DDR-II, SMT, 240P					
DIMENSIONS: 単位: 耗 mm		CHK				PRODUCT SPEC 製品規格	SIZE	CAGE CODE
		APVD				APPLICATION SPEC 取付適用規格	DRAWING NO 番号	RESTRICTED TO
TOLERANCES UNLESS OTHERWISE SPECIFIED: 一般公差		WEIGHT				0 PLC ± -	A3	00779
MATERIAL 材料		FINISH 仕上		G-2040727				
0 PLC ± - 1 PLC ± - 2 PLC ± - 3 PLC ± - 4 PLC ± - ANGLES ± -		CUSTOMER DRAWING		SCALE 尺度	NTS			
				SHEET	4 OF 4			
				REV	E			