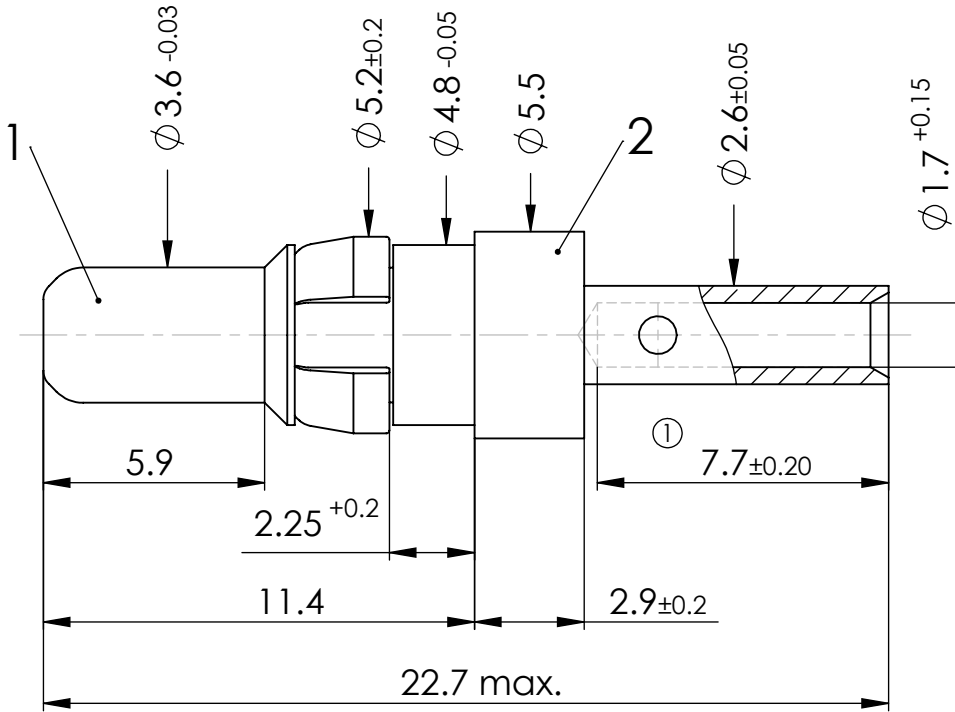
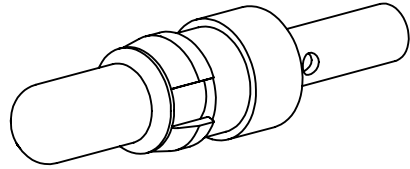


COMMENT:
 ALL RIGHTS ARE RESERVED BY US FOR THIS DRAWING. WITHOUT OUR PRIOR CONSENT,
 IT MAY NEITHER BE DUPLICATED NOR MADE AVAILABLE TO A THIRD PARTY,
 AND IT ALSO MAY NOT BE IMPROPERLY USED BY THE RECEIVER, OR A THIRD PARTY.



Text No. W-4

FCT tools:

Hand tool: M309

Pneumatic crimp tool: WA27-309

Die: SP994

Selector Number:

AWG 16 / SEL. 3

AWG 18 / SEL. 2

AWG 20 / SEL. 2

CURRENT		10 A		HIGH POWER CONTACT		SCALE 5:1		DATA SHEET	
FOR EN 60603-2		formerly DIN 41612		NAME / DATE				①	
DIMENSIONS IN MM		DRAWN		Steinbrück				②	
MATERIAL + FINISH SEE EXTRA SHEET		CHECKED		14-05-2003					
UNLESS OTHERWISE SPECIFIED DIMENSIONS FOR REFERENCE ONLY				MTeubel					
2		11330		24-05-2006					
REV.		DATE		INDEX		FCT a molex company		PART NO. FMP002P	
ORIGINAL: DIN A4-DRAWING AS A FILE		REPLACEMENT FOR:		REV. 2		PAGE: 1/1			