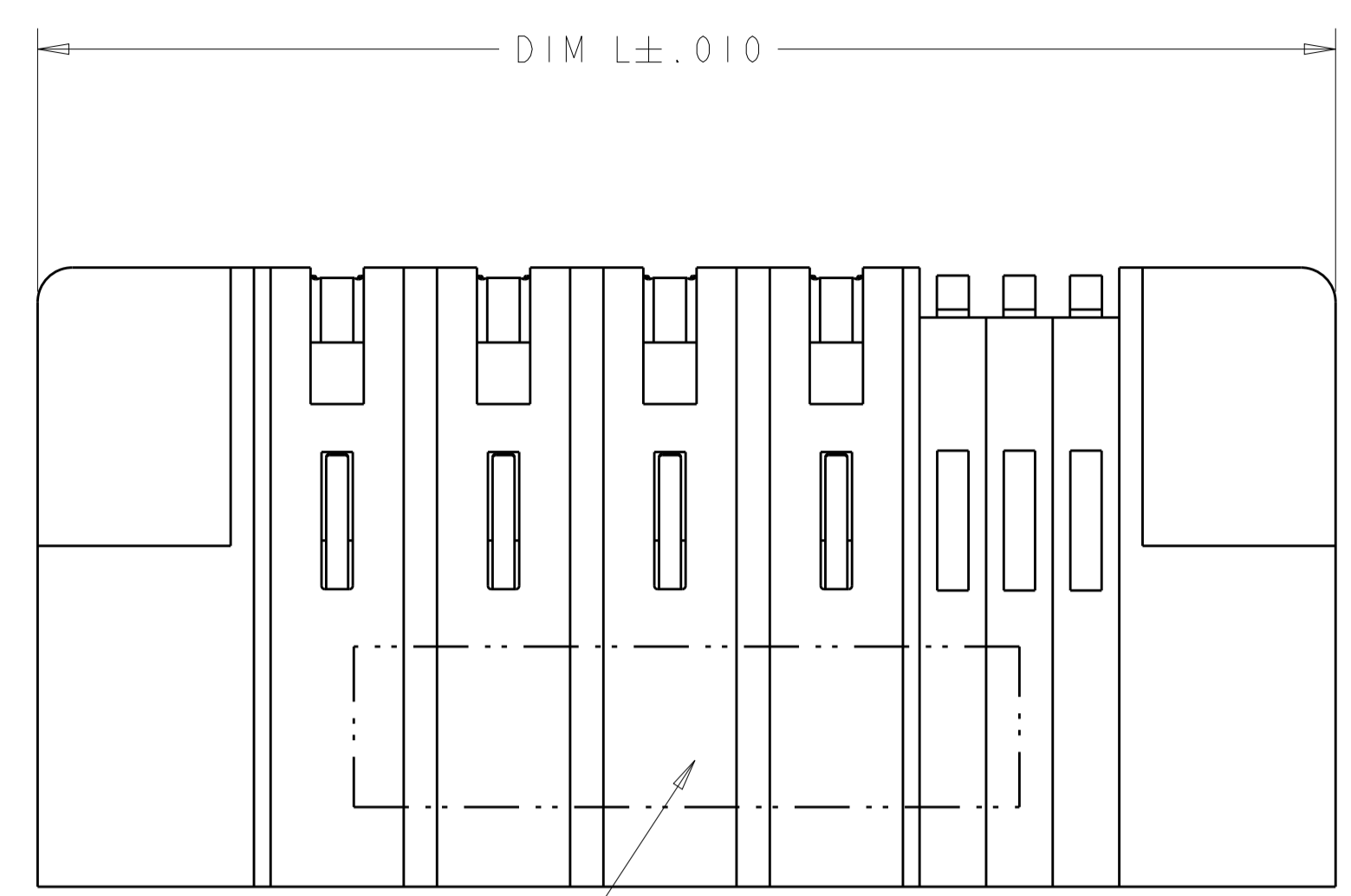
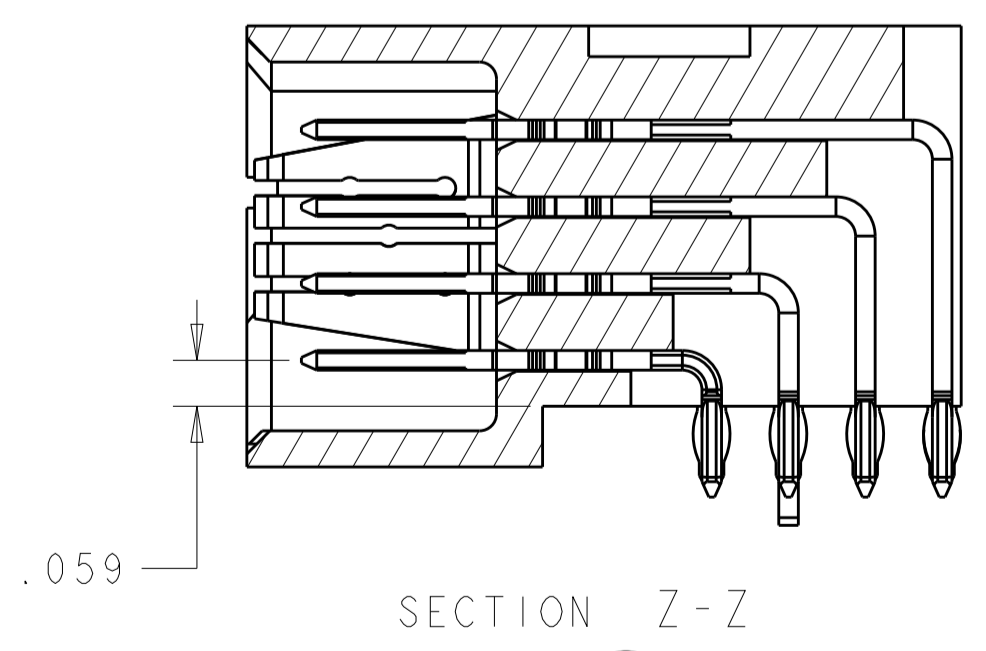
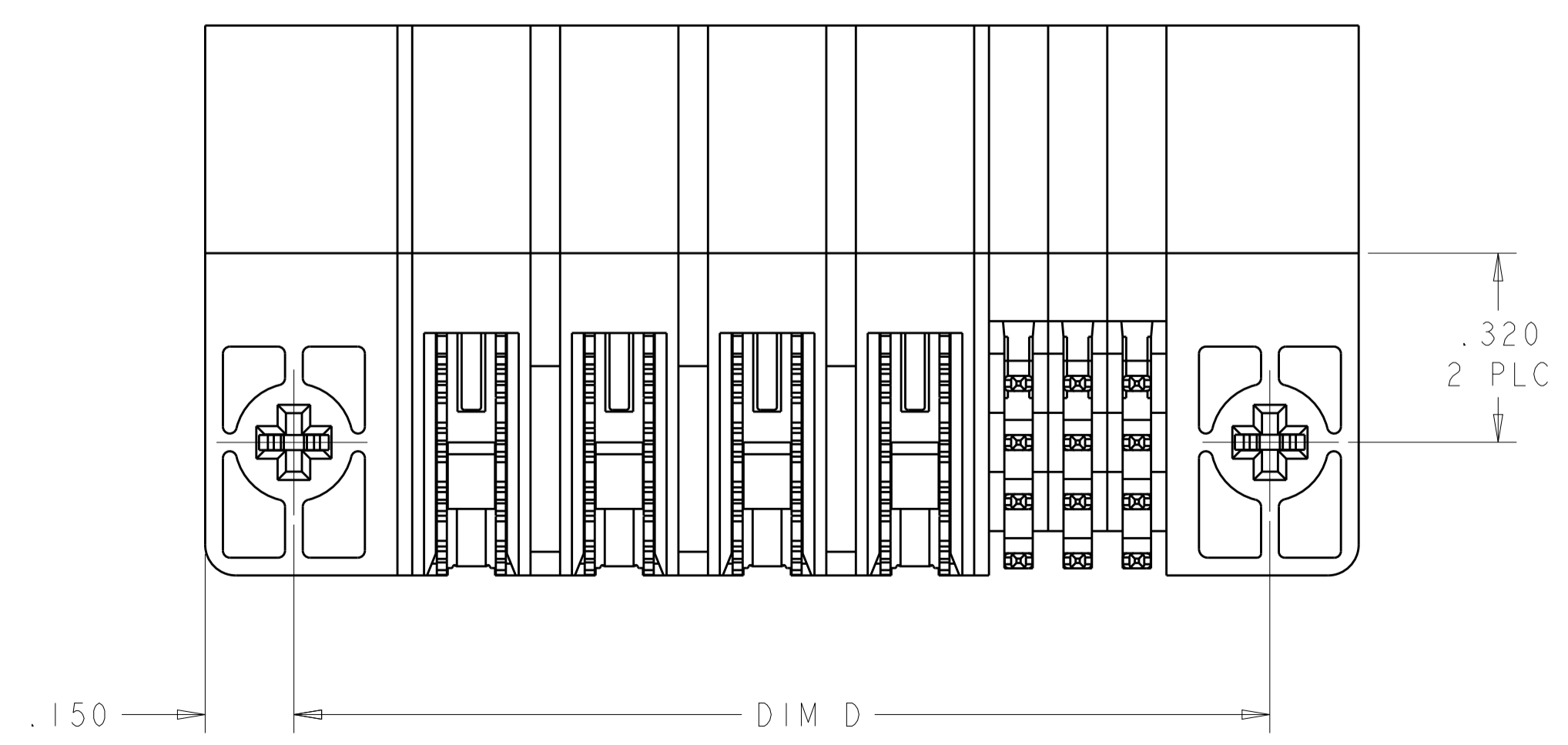
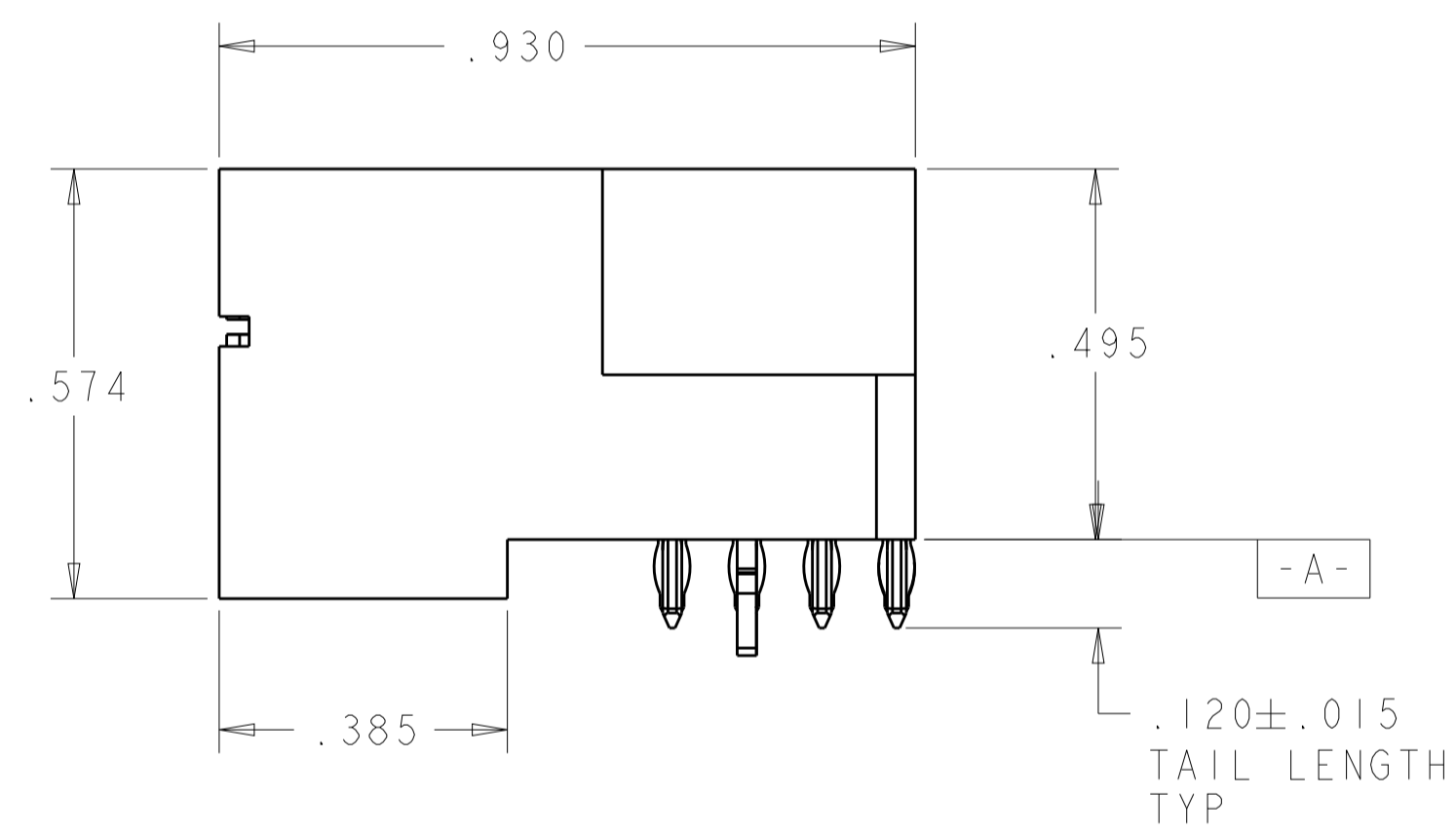
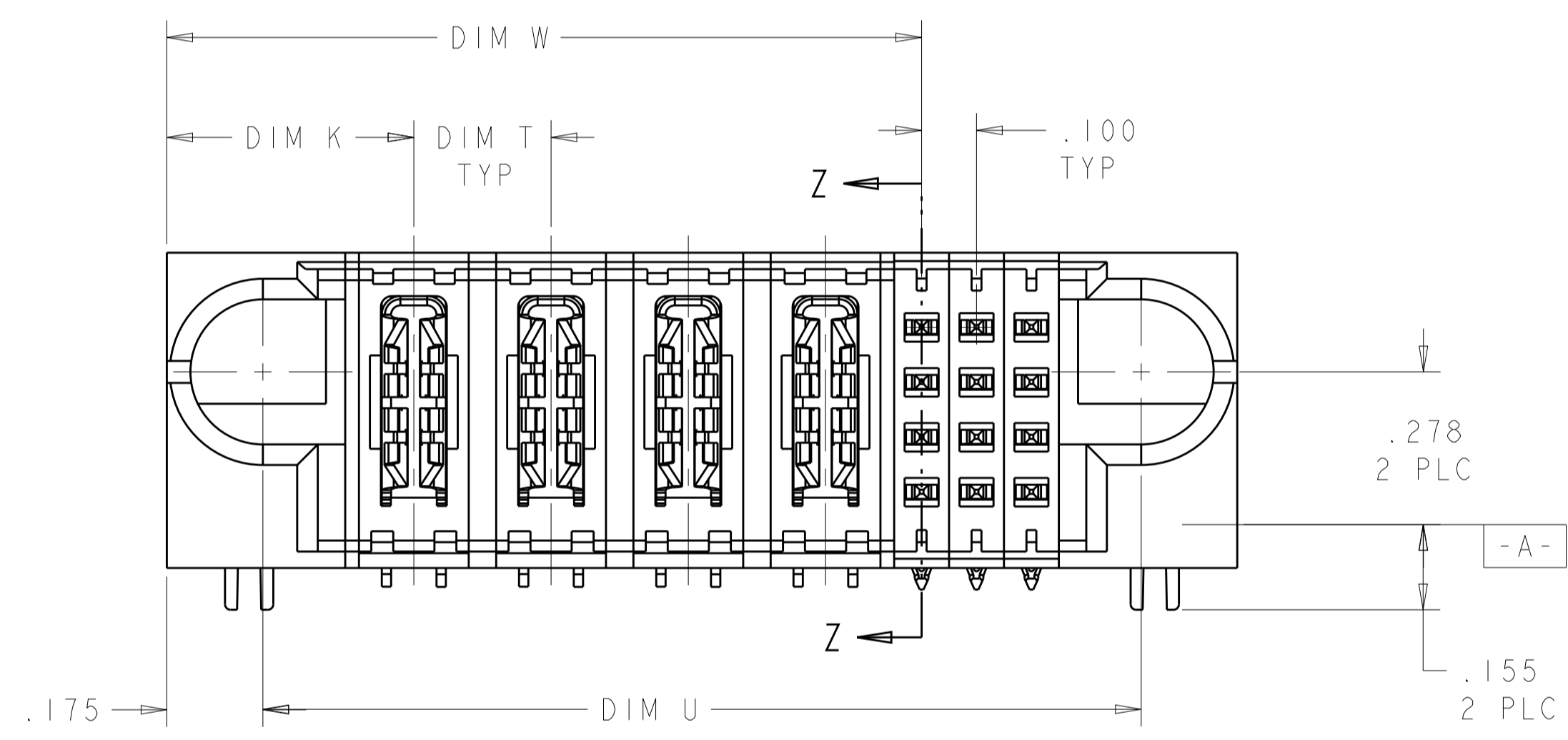


LOC	DIST	REVISIONS			
P	LTN	DESCRIPTION	DATE	DMN	APVD
A4		REV PER ECR-12-014840	21AUG2012	CZ	SZ
A5		REV PER ECR-12-015552	03SEP2012	CZ	SZ



- 1 PART NUMBER, AND DATE CODE MARKED IN AREA SHOWN. MARKING ON BOTH SIDES PERMITTED FOR PARTS UNDER 2.00 LONG.
- 2 MATERIAL:
 HOUSING - GLASS FILLED HIGH TEMP THERMO PLASTIC, UL94 V-0
 SIGNAL CONTACT - COPPER ALLOY
 POWER CONTACT - HIGH CONDUCTIVITY COPPER ALLOY
- 3 CONTACT PLATING: NOBLE METAL PLATING ON CONTACT FUNCTIONAL AREA OF POWER AND SIGNAL CONTACTS
- 4 MECHANICAL CONNECTOR KEEP OUT ZONE.
- 5 DATUM AND BASIC DIMENSIONS ESTABLISHED BY CUSTOMER.
- 6 PCB - ALL HOLE DIAMETERS ARE FINISHED HOLE SIZES.
- 7 PCB - .0453±.0010 DRILLED HOLES PLATED WITH .0003 MIN Sn OVER .001 TO .003 Cu PLATING TO ACHIEVE A .040 HOLE.



DIM T	DIM U	DIM W	DIM D	DIM L	DIM K	DESCRIPTION	PART NUMBER
.300	1.350	1.300	1.400	1.700	.450	3ACP + 4S	6450532-3
.250	3.900	3.375	3.950	4.250	.450	12P + 24S	6450532-2
.250	1.600	1.375	1.650	1.950	.450	4P + 12S	6450532-1

THIS DRAWING IS A CONTROLLED DOCUMENT. DWN: C.ZHOU 01DEC2006
 CHK: S.ZHAO 01DEC2006
 APVD: S.YAO

STE TE Connectivity

NAME: RIGHT ANGLE HEADER MULTI-BEAM XL, PWR-SIG W/GUIDES HOLD DOWNS, PRESS FIT

PRODUCT SPEC: 108-1973
 APPLICATION SPEC: 114-13038

SIZE: A1 CAGE CODE: 6450532 DRAWING NO: 100779

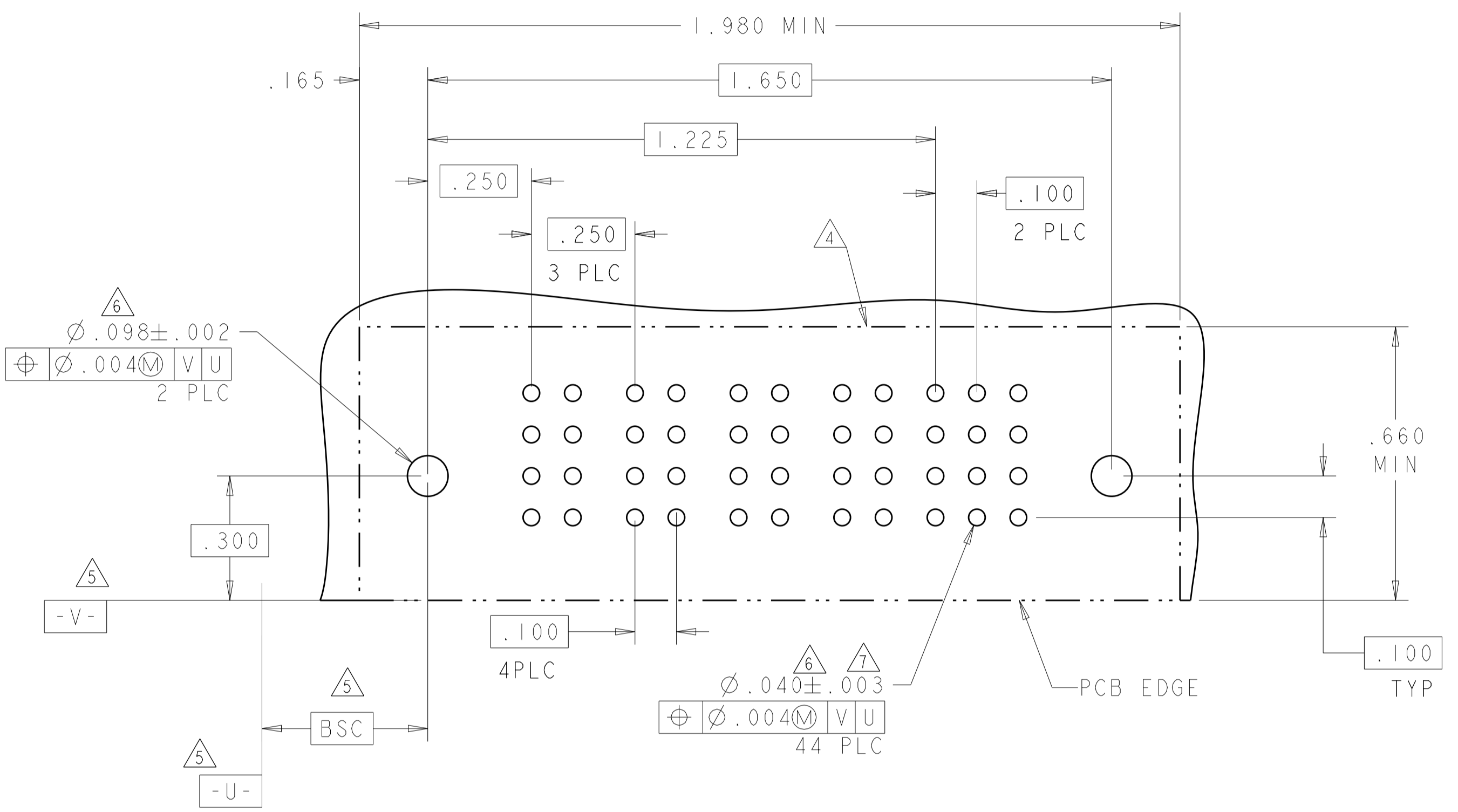
MATERIAL: 2 FINISH: 3

CUSTOMER DRAWING SCALE: 4:1 SHEET 1 OF 2 REV: A6

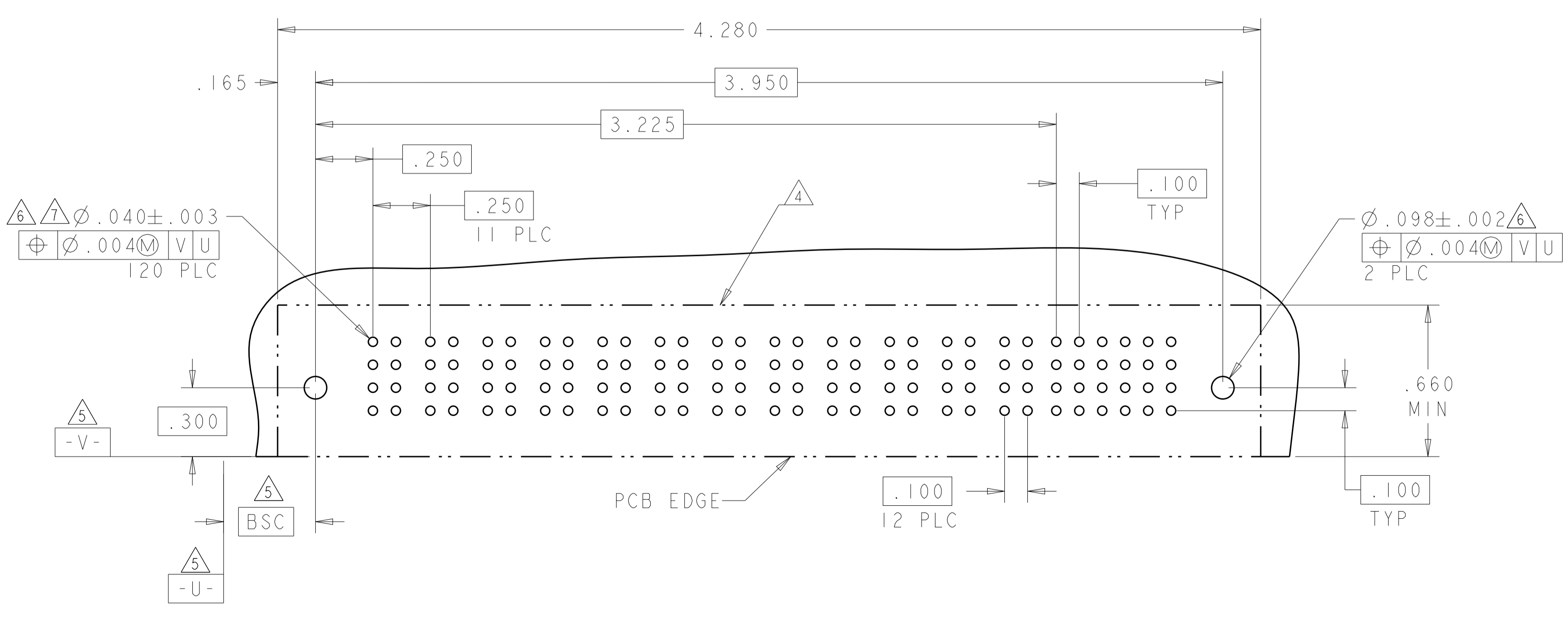
LOC	DIST	REV	DATE	BY	APPD
ES	00				

REVISIONS			
NO	DESCRIPTION	DATE	BY
-	SEE SHEET 1	-	-

PART NUMBER	ROWS	POWER				SIGNAL		
		P1	P2	P3	P4	1	2	3
6450532-1	D C B A	PT	PT	PT	PT	Z5	Z1	Z5
						Y5	Y1	Y1
						R5	R5	R5
						O5	O5	O5
4P + 12S								

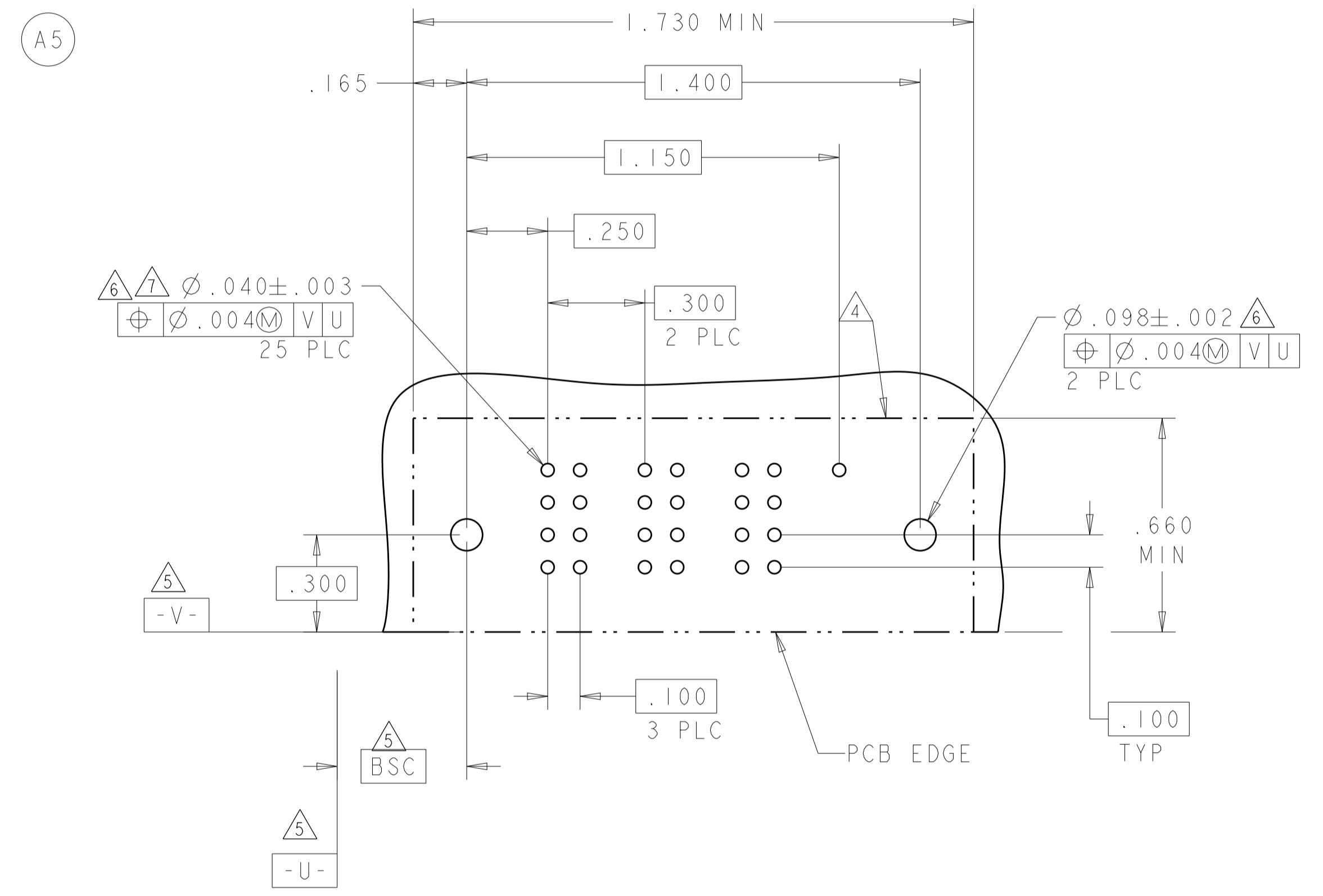


PART NUMBER	ROWS	POWER												SIGNAL						
		P1	P2	P3	P4	P5	P6	P7	P8	P9	P10	P11	P12	1	2	3	4	5	6	
6450532-2	D C B A	PT	PT	PT	PT	PT	PT	PT	PT	PT	PT	PT	Z5	Z5	Z5	Z5	Z5	Z5		
													Y5	Y5	Y5	Y5	Y5	Y5	Y5	Y5
													R5	R5	R5	R5	R1	R1		
													O5	O5	O5	O5	O1	O1		
12P + 24S																				



PART NUMBER	ROWS	POWER			SIGNAL
		P1	P2	P3	I
6450532-3	D C B A	PT	PT	PT	Z1
3ACP + 4S					

NO CONTACTS LOADED



Z1	MLBF	D
Y1	MLBF	C
R1	MLBF	B
O1	MLBF	A
Z5	STD	D
Y5	STD	C
R5	STD	B
O5	STD	A
CODE	MATING SEQUENCE	ROW

PT	STD
CODE	MATING SEQUENCE
POWER	

THIS DRAWING IS A CONTROLLED DOCUMENT. DWG: C.ZHOU 01DEC2006, CHK: S.ZHAO 01DEC2006, APVD: S.YAO

DIMENSIONS: INCHES. TOLERANCES UNLESS OTHERWISE SPECIFIED: 0 PLC ±.1, 1 PLC ±.1, 2 PLC ±.01, 3 PLC ±.005, 4 PLC ±.002, ANGLES ±.2

MATERIAL: FINISH:

PRODUCT SPEC: 108-1973
APPLICATION SPEC: 114-13038
WEIGHT: A100779
CAGE CODE: 6450532
CUSTOMER DRAWING

NAME: RIGHT ANGLE HEADER MULTI-BEAM XL, PWR-SIG W/GUIDES HOLD DOWNS, PRESS FIT
SIZE: A100779
CAGE CODE: 6450532
DRAWING NO: 108-1973
SHEET 2 OF 2
REV: A6

SCALE: 4:1