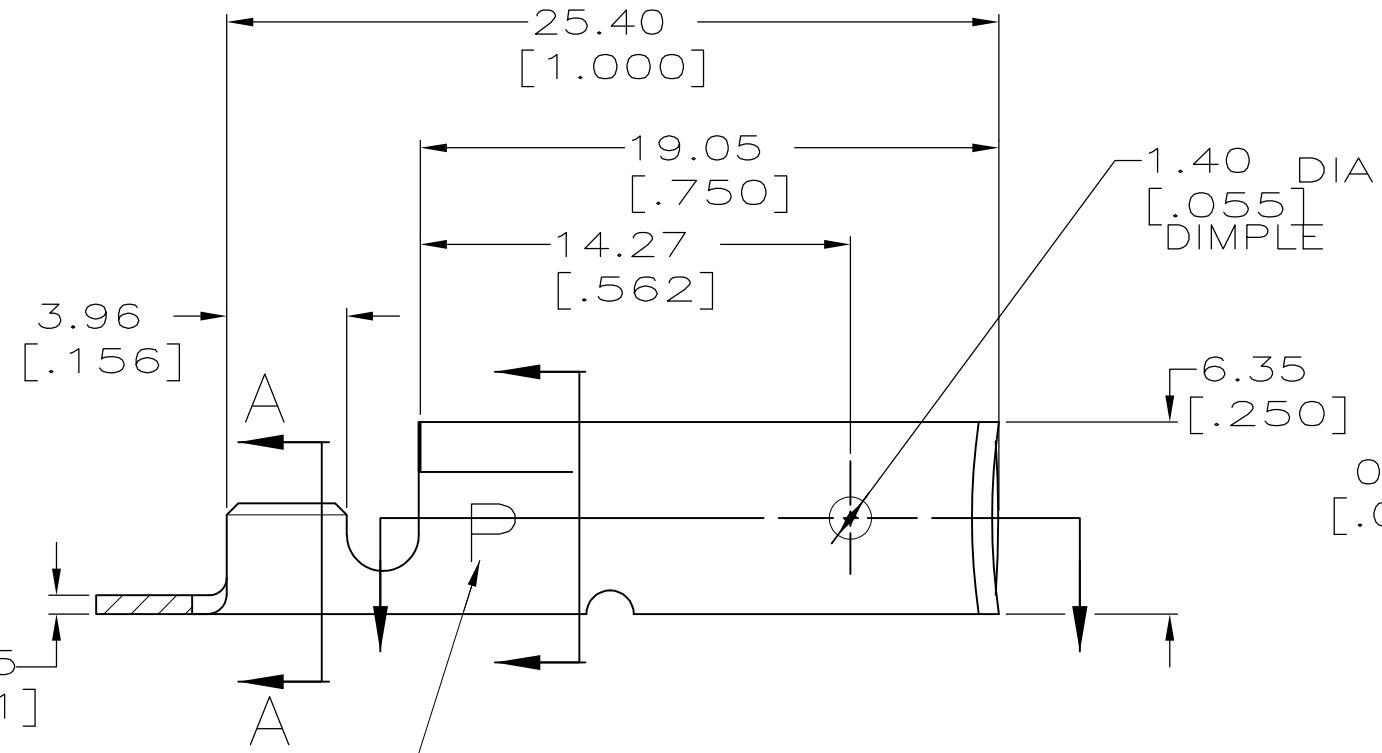
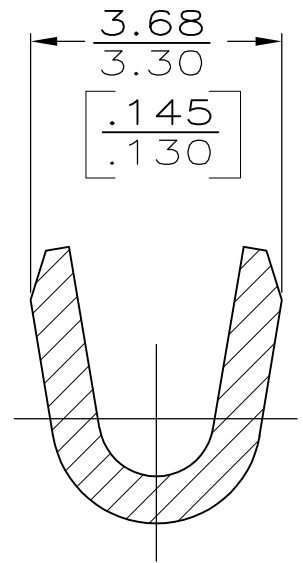
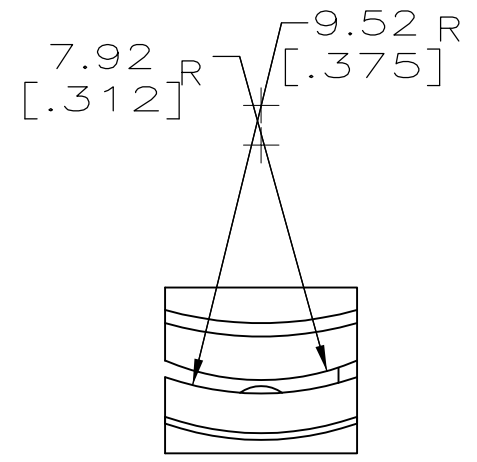
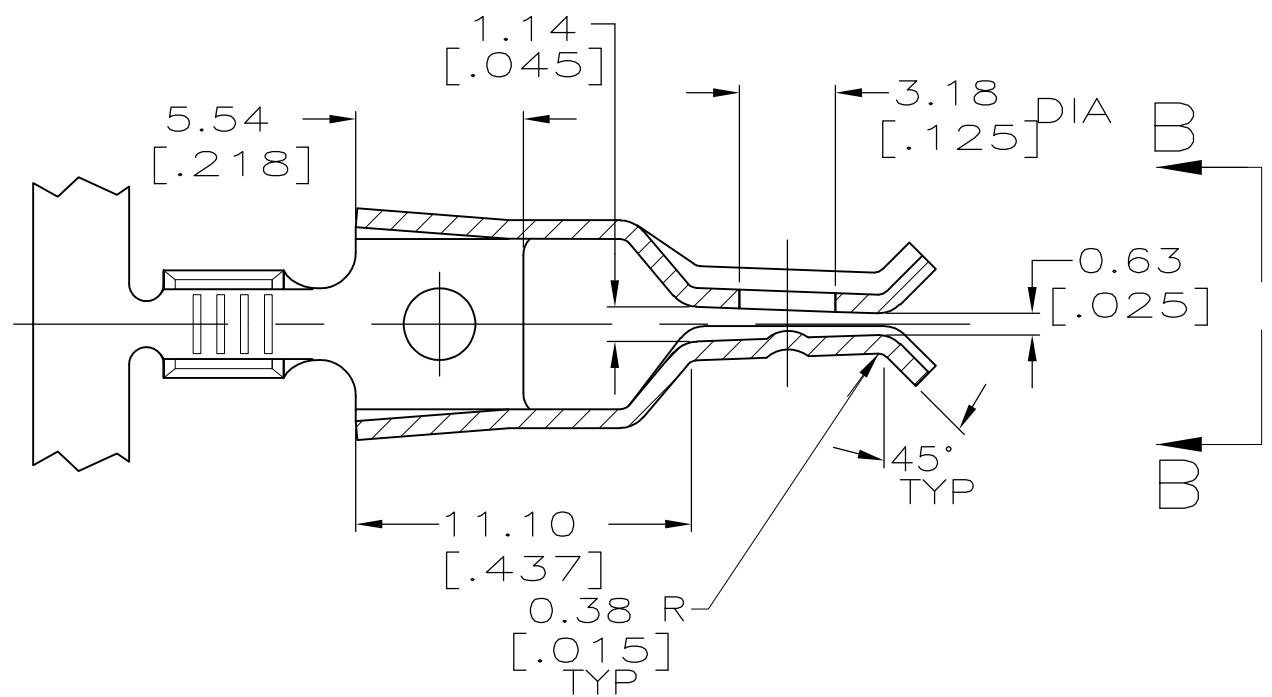


THIS DRAWING IS UNPUBLISHED. RELEASED FOR PUBLICATION
 © COPYRIGHT - By - ALL RIGHTS RESERVED.

| LOC | DIST | REVISIONS | | | |
|-----|------|-------------|-----------------------|---------|-------|
| P | LTR | DESCRIPTION | DATE | DWN | APVD |
| AF | 50 | B1 | REV PER ECO-14-017598 | 04DEC14 | JR DH |

- 1 CONTINUOUS STRIP ON REEL.
- △ 2 "P" STAMP ON 63723-2 ONLY.
- 3 OVERLAP SPLICE USED
- △ 4 TIN PLATE



| | | |
|-----------------|------------------------|-------------|
| H04 PHOS BRONZE | 0.5-1.3mm ² | △ 2 63723-2 |
| T2 STEEL | [20-16] AWG | 63723-1 |
| MATERIAL | WIRE RANGE | PART NO. |

| | | | | | | | |
|--|--|--------------------------|----------------------------|-----------------|--------------------|-----------------|--------|
| THIS DRAWING IS A CONTROLLED DOCUMENT. | | DWN PHIL FORTNEY 7/29/93 | STE TE Connectivity | | | | |
| DIMENSIONS: MM [INCHES] | | CHK JR RUTH 7/29/93 | | | | | |
| TOLERANCES UNLESS OTHERWISE SPECIFIED: | | APVD RON KUZO 7/29/93 | NAME RECEPTACLE TWIST LOCK | | | | |
| 0 PLC ± - | | PRODUCT SPEC - | | | | | |
| 1 PLC ± - | | APPLICATION SPEC - | SIZE A3 | CAGE CODE 00779 | DRAWING NO C-63723 | RESTRICTED TO - | |
| 2 PLC ± 0.25 [.010] | | WEIGHT - | CUSTOMER DRAWING | | SCALE 4:1 | SHEET 1 OF 1 | REV B1 |
| 3 PLC ± - | | | | | | | |
| 4 PLC ± - | | | | | | | |
| ANGLES ± - | | | | | | | |
| FINISH △ 4 | | | | | | | |
| MATERIAL SEE TABLE | | | | | | | |