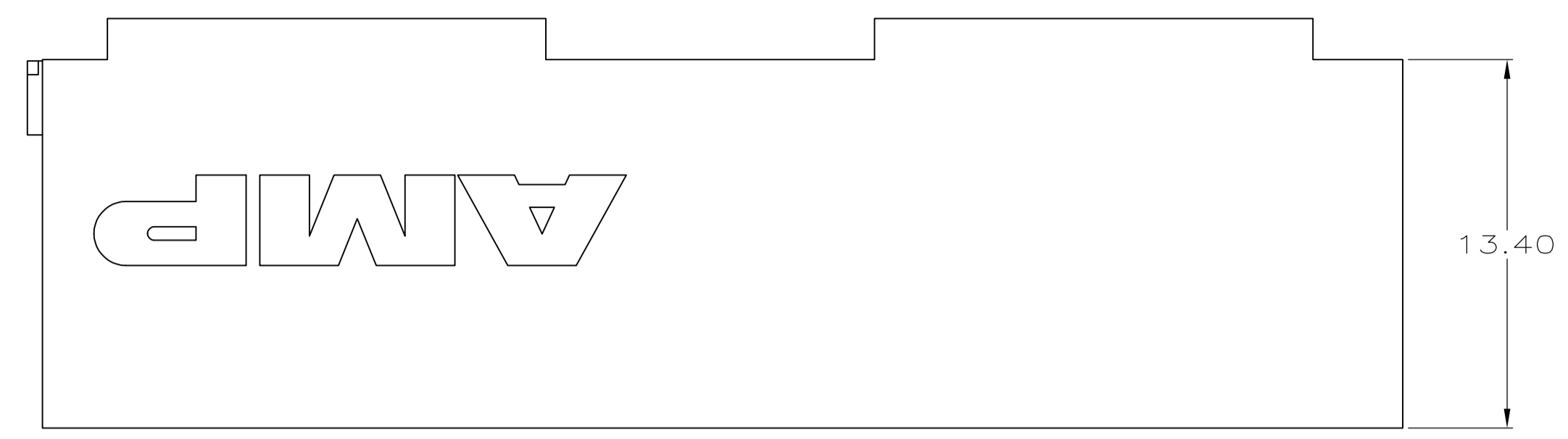
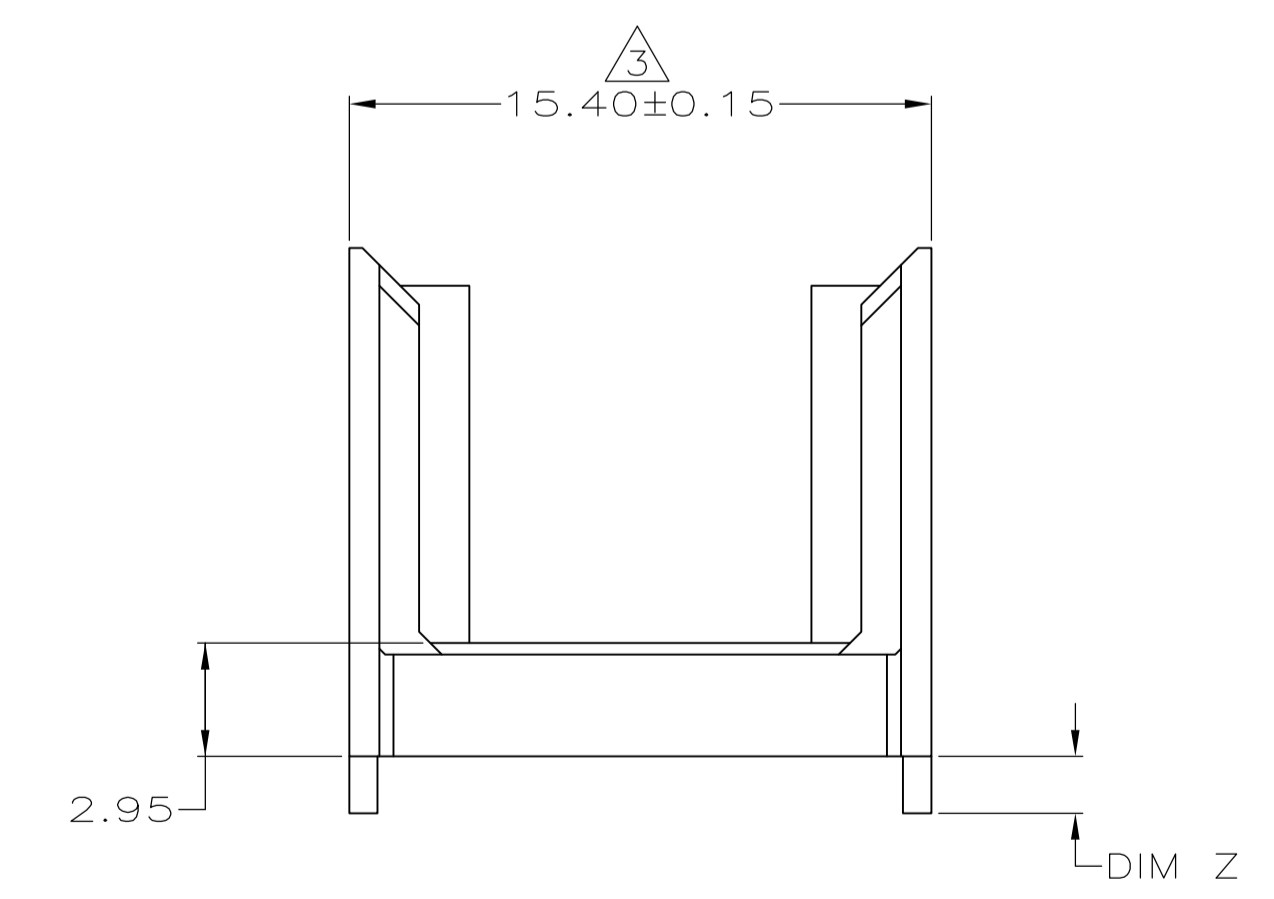
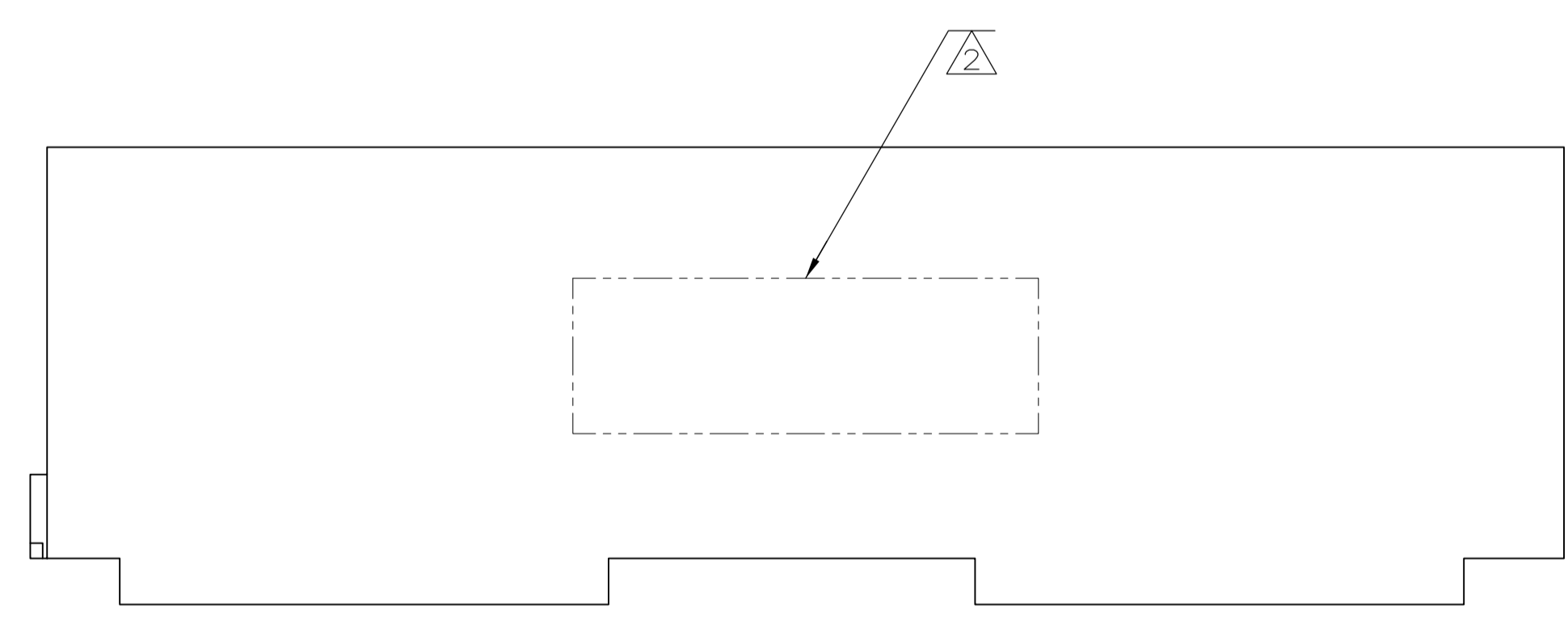
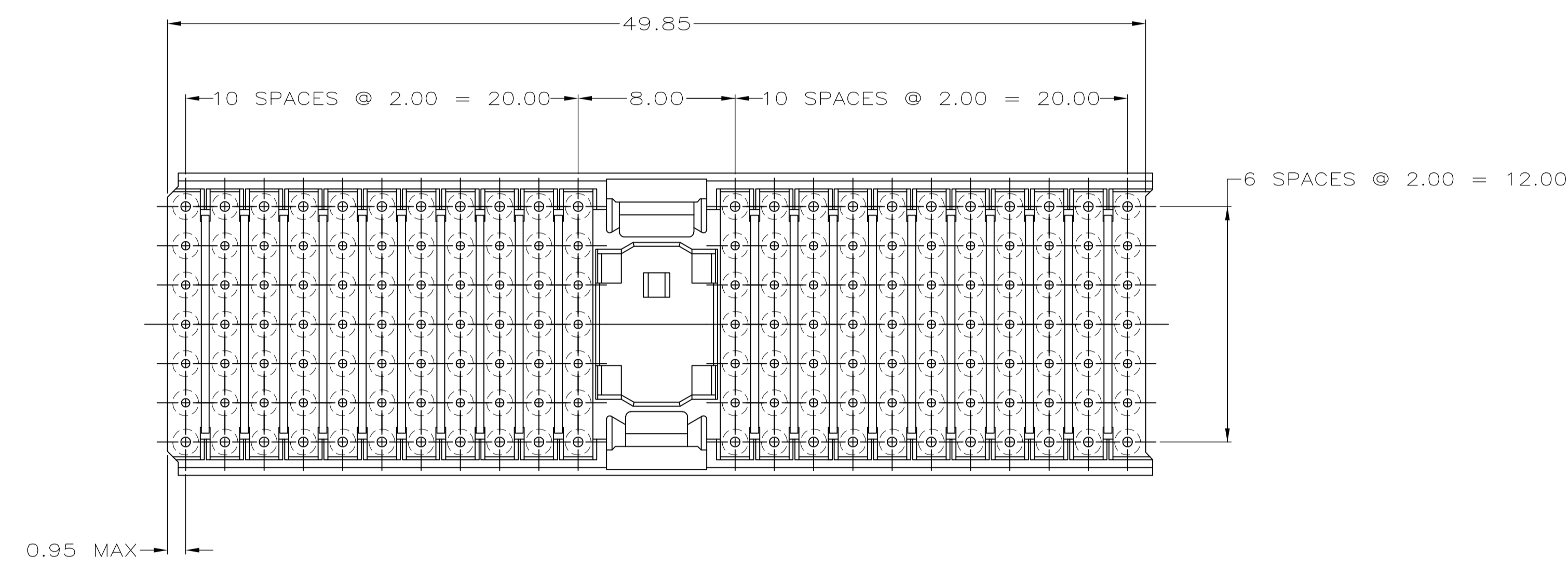


LOC		DIST		REVISIONS				
AD	47	SP	LTR	DESCRIPTION	DATE	DWN	APVD	
		C		REV PER EC 0U1B-0192-01	27 JUN 01	BC	RP	
		C1		REVISED PER ECO-10-000443	15JAN10	KK	AEG	
		D		ECR-10-019054	15SEP10	DP	MQW	



- ① MATERIAL: GLASS FILLED POLYESTER.
- ② PART NUMBER MARKED IN APPROXIMATE AREA SHOWN.
- ③ TO BE MEASURED AT BASE OF SHROUD.
- ④ OBSOLETE PARTS: OBSOLETE CIS STREAMLINING PER D.RENAUD/D.SINISI



DIM Z	PART NUMBER
1.90	646478-7
1.70	646478-6
1.50	646478-5
1.30	646478-4
1.10	646478-3
0.90	646478-2
—	646478-1
DIM Z	PART NUMBER

THIS DRAWING IS A CONTROLLED DOCUMENT		DWN T. SHUEY 6-16-98	AMP Incorporated Harrisburg, PA 17105-3608	
DIMENSIONS: mm		CHK G. SKIPPER 11-23-98	NAME SHROUD, TYPE A,Z-PACK 2mm HM, 5 ROW, 154 POSITION, WITH GUIDE	
TOLERANCES UNLESS OTHERWISE SPECIFIED: 0-PLG ± 1-PLG ± 2-PLG ±0.05 ±0.2 3-PLG ± 4-PLG ±		APVD G. SKIPPER 11-23-98	PRODUCT SPEC —	
MATERIAL ①		FINISH —	APPLICATION SPEC —	RESTRICTED TO —
CUSTOMER DRAWING		WEIGHT —	SIZE A100779	DRAWING NO 646478
SCALE 5:1		SHEET 1 OF 1		REV D