

# TTC-6P-T3-24DC-I-P - Type 3 surge protection plug



1027591

<https://www.phoenixcontact.com/us/products/1027591>

Please be informed that the data shown in this PDF document is generated from our online catalog. Please find the complete data in the user documentation. Our general terms of use for downloads are valid.



Replacement plug for type 3 surge protection from the TERMITRAB complete T3 product series.  
Nominal voltage 24 V.

## Your advantages

- Space-saving and cost-saving with a narrow overall width of just 6 mm
- Continuous monitoring of protective devices, plus mechanical status indicator with optional remote signaling
- Finding the right product for all possible requirements in MCR applications is easy, thanks to the complete range of products with customized features
- Easy testing and documentation with CHECKMASTER 2 with pluggable protective modules
- The signal is not influenced during maintenance work, thanks to the impedance-neutral insertion and removal of protective plugs

## Commercial data

Item number	1027591
Packing unit	1 pc
Minimum order quantity	1 pc
Sales key	CL01
Product key	CL14D1
Catalog page	Page 85 (C-4-2019)
GTIN	4055626522234
Weight per piece (including packing)	25.5 g
Weight per piece (excluding packing)	8.72 g
Customs tariff number	85363030
Country of origin	DE

# TTC-6P-T3-24DC-I-P - Type 3 surge protection plug



1027591

<https://www.phoenixcontact.com/us/products/1027591>

## Technical data

### Notes

#### General

Note	
	CBM:
	2905743 CBM E4 24DC/0.5-10A NO-R
	2905744 CBM E8 24DC/0.5-10A NO-R
	CBMC:
	2906032 CBMC E4 24DC/1-10A NO
	2908716 CBMC E4 24DC/1-10A NO-C
	2910411 CBMC E4 24DC/1-10A IOL
	PTCB:
	2908262 PTCB E1 24DC/1-8A NO
	CB E1:
	2800907 CB E1 24DC/10A NO P
	2800914 CB E1 24DC/10A S-R P
	2800928 CB E1 24DC/10A S-C P
	2905805 CB E1 24DC/10A SI-R P
	2905812 CB E1 24DC/10A SI-C P

### Product properties

IEC power supply system	DC
Type	Male
Product type	Replacement plug
Product family	TERMITRAB complete
Surge protection fault message	optical

#### Insulation characteristics

Overvoltage category	III
Pollution degree	2
IEC test classification	III
	T3
EN type	T3
Number of ports	One

### Connection data

Connection method	pluggable
-------------------	-----------

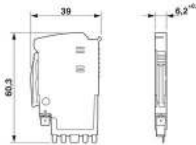
### Dimensions

# TTC-6P-T3-24DC-I-P - Type 3 surge protection plug



1027591

<https://www.phoenixcontact.com/us/products/1027591>

Dimensional drawing	
Width	6.2 mm +0.1 mm
Height	39 mm
Depth	60.3 mm

## Material specifications

Flammability rating according to UL 94	V-0
CTI value of material	600
Insulating material	PBT
Housing material	PBT

## Protective circuit

Mode of protection	(DC+) - (DC-)
	(DC+/DC-) - PE
Direction of action	1L-N & N-PE
Nominal voltage $U_N$	24 V DC
Maximum continuous voltage $U_C$	30 V DC
Residual current $I_{PE}$	$\leq 5 \mu\text{A}$
Nominal discharge current $I_n$ (8/20) $\mu\text{s}$	1 kA
Combination wave $U_{OC}$	2 kV (2 $\Omega$ )
	2 kV (2 $\Omega$ )
Voltage protection level $U_p$ (DC+) - (DC-)	$\leq 0.09 \text{ kV}$ ( $U_{oc} = 2 \text{ kV}$ )
	$\leq 0.2 \text{ kV}$ ( $U_{oc} = 6 \text{ kV}$ )
Voltage protection level $U_p$ (DC+/DC-) - PE	$\leq 0.7 \text{ kV}$
Short-circuit current rating $I_{SCCR}$	60 A DC (without additional backup fuse)
	220 A DC
Max. backup fuse with branch wiring	6 A (gG)
	10 A (see the note: CBM, CBMC, PTCB, CB E1)

## Environmental and real-life conditions

### Ambient conditions

Degree of protection	IP20
Ambient temperature (operation)	-40 °C ... 80 °C
Ambient temperature (storage/transport)	-40 °C ... 80 °C
Altitude	$\leq 6000 \text{ m}$ (amsl)
Permissible humidity (operation)	5 % ... 95 %
Shock (operation)	30g (Half-sine / 11 ms / 3x $\pm X$ , $\pm Y$ , $\pm Z$ )
Vibration (operation)	5g (10 ... 150 Hz/20 cycles/axis/X, Y, Z)

## Standards and regulations

# TTC-6P-T3-24DC-I-P - Type 3 surge protection plug



1027591

<https://www.phoenixcontact.com/us/products/1027591>

Standards/specifications	IEC 61643-11
Note	2011

## EN 61643-11

Standards/specifications	EN 61643-11
Note	2012

## Mounting

Mounting type	on base element
---------------	-----------------

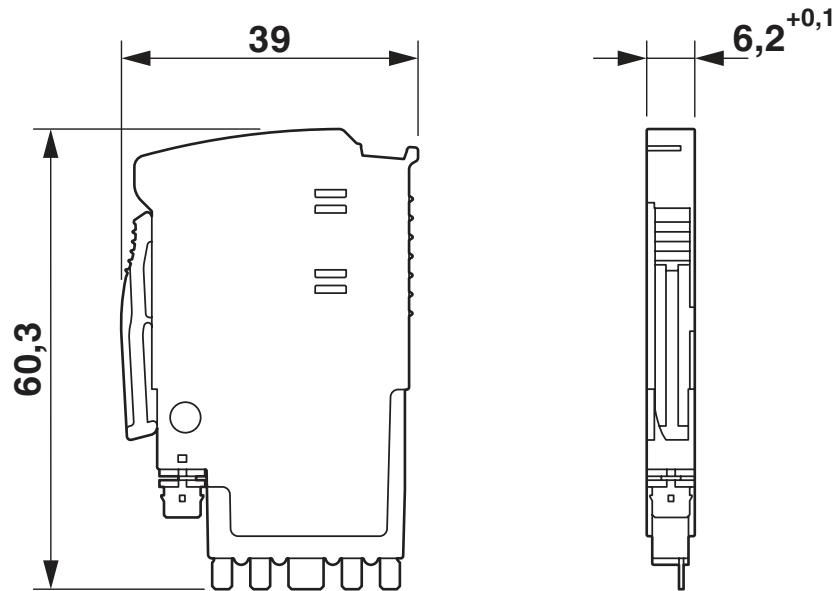
# TTC-6P-T3-24DC-I-P - Type 3 surge protection plug

1027591

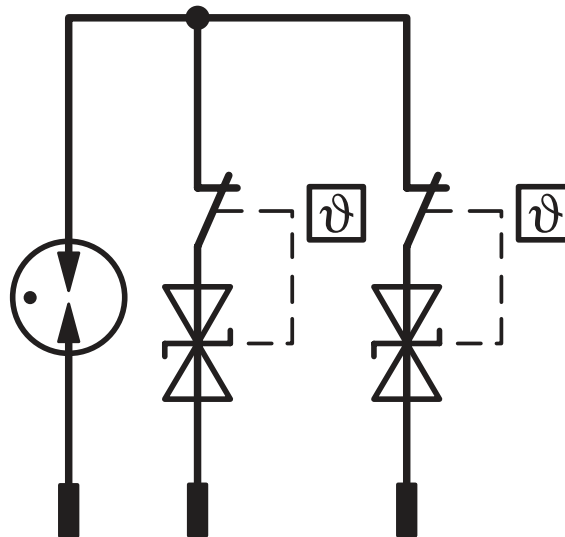
<https://www.phoenixcontact.com/us/products/1027591>

## Drawings

Dimensional drawing



Circuit diagram



# TTC-6P-T3-24DC-I-P - Type 3 surge protection plug



1027591

<https://www.phoenixcontact.com/us/products/1027591>

## Approvals

To download certificates, visit the product detail page: <https://www.phoenixcontact.com/us/products/1027591>



**UL Listed**

Approval ID: FILE E 138168

**UAE-RoHS**

Approval ID: 22-06-16783



**cUL Listed**

Approval ID: FILE E 333250



**UL Listed**

Approval ID: FILE E 333250

**cULus Listed**

# TTC-6P-T3-24DC-I-P - Type 3 surge protection plug



1027591

<https://www.phoenixcontact.com/us/products/1027591>

## Classifications

### ECLASS

ECLASS-11.0	27130890
ECLASS-13.0	27171292

### ETIM

ETIM 8.0	EC002496
----------	----------

### UNSPSC

UNSPSC 21.0	39121600
-------------	----------

# TTC-6P-T3-24DC-I-P - Type 3 surge protection plug



1027591

<https://www.phoenixcontact.com/us/products/1027591>

## Environmental product compliance

REACH SVHC	Lead 7439-92-1
China RoHS	Environmentally Friendly Use Period = 50 years
	For information on hazardous substances, refer to the manufacturer's declaration available under "Downloads"



# TTC-6P-T3-24DC-I-P - Type 3 surge protection plug



1027591

<https://www.phoenixcontact.com/us/products/1027591>

## Accessories

### ZBF 6 CUS - Zack Marker strip, flat

0825027

<https://www.phoenixcontact.com/us/products/0825027>



Zack Marker strip, flat, Strip, can be ordered: Strip, white, labeled according to customer specifications, mounting type: snap into flat marker groove, for terminal block width: 6.2 mm, lettering field size: 5.15 x 6.15 mm, Number of individual labels: 10

---

### ZBF 6:UNBEDRUCKT - Zack Marker strip, flat

0808710

<https://www.phoenixcontact.com/us/products/0808710>



Zack Marker strip, flat, Strip, white, unlabeled, can be labeled with: PLOTMARK, CMS-P1-PLOTTER, mounting type: snapped, for terminal block width: 6.2 mm, lettering field size: 5.15 x 6.15 mm, Number of individual labels: 10

# TTC-6P-T3-24DC-I-P - Type 3 surge protection plug



1027591

<https://www.phoenixcontact.com/us/products/1027591>

## ZBF 6/WH-100:UNBEDRUCKT - Zack Marker strip, flat

0808736

<https://www.phoenixcontact.com/us/products/0808736>



Zack Marker strip, flat, Strip, white, unlabeled, can be labeled with: PLOTMARK, CMS-P1-PLOTTER, mounting type: snapped, for terminal block width: 6.2 mm, lettering field size: 5.15 x 6.15 mm, Number of individual labels: 1000

---

## ZBF 6,QR:FORTL.ZAHLEN - Zack Marker strip, flat

0808765

<https://www.phoenixcontact.com/us/products/0808765>



Zack Marker strip, flat, Strip, white, labeled, Printed vertically: consecutive numbers 1 ... 10, 11 ... 20, etc. up to 91 ... 100, mounting type: snapped, for terminal block width: 6.2 mm, lettering field size: 5.15 x 6.15 mm, Number of individual labels: 10

# TTC-6P-T3-24DC-I-P - Type 3 surge protection plug



1027591

<https://www.phoenixcontact.com/us/products/1027591>

## X-PEN 0,35 - Marker pen

0811228

<https://www.phoenixcontact.com/us/products/0811228>



Marker pen without ink cartridge, for manual labeling of markers, labeling extremely wipe-proof, line thickness 0.35 mm

---

Phoenix Contact 2023 © - all rights reserved

<https://www.phoenixcontact.com>

Phoenix Contact USA  
586 Fulling Mill Road  
Middletown, PA 17057, United States  
(+717) 944-1300  
[info@phoenixcon.com](mailto:info@phoenixcon.com)