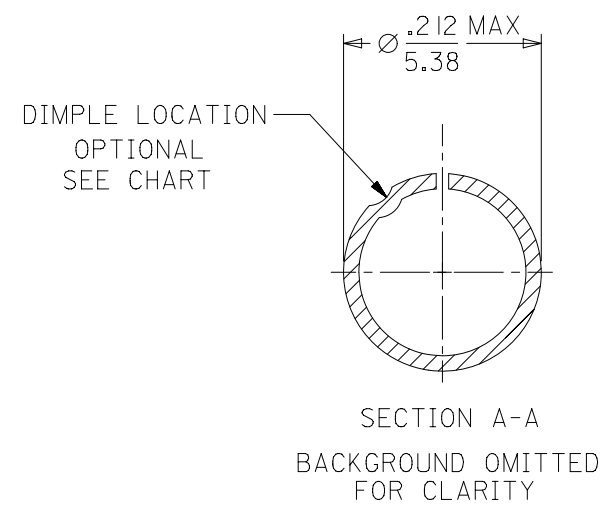
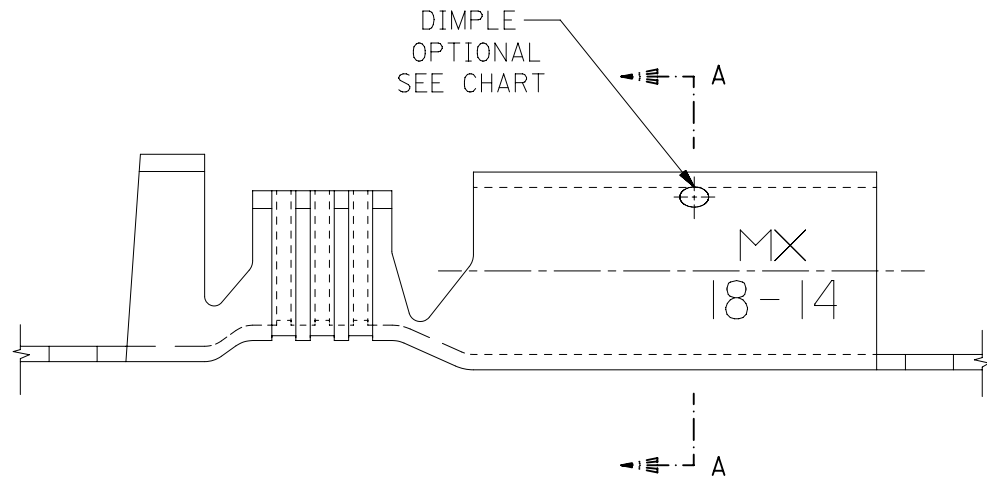
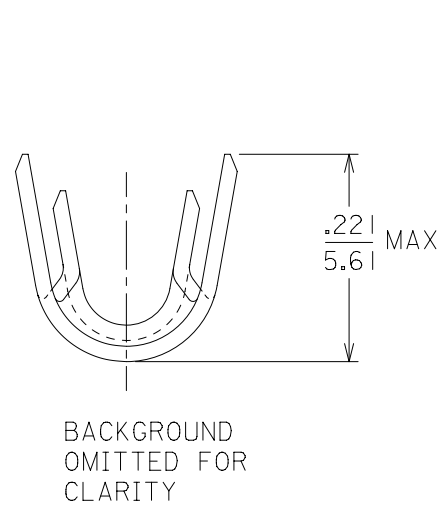
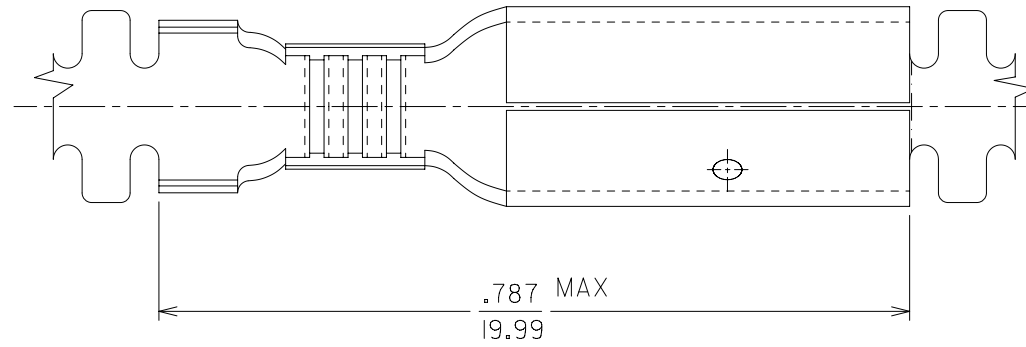


MATERIAL NO.	ENG NUMBER	DESCRIPTION	FINISH
197234402	19723-4402	CONTINUOUS STRIP WITH DIMPLE	ELECTRO-TIN
197234403	19723-4403	CONTINUOUS STRIP WITHOUT DIMPLE	



SALES DRAWING

- NOTES:
1. MATERIAL: BRASS
 2. FINISH: SEE CHART
 3. PACKING QTY. 6000 PER REEL.

THIS DRAWING CONTAINS INFORMATION THAT IS PROPRIETARY TO MOLEX ELECTRONIC TECHNOLOGIES, LLC AND SHOULD NOT BE USED WITHOUT WRITTEN PERMISSION											
DIMENSION UNITS		SCALE		CURRENT REV DESC: OBSOLETED PART NO						molex	
IN/MM		5:1									
GENERAL TOLERANCES (UNLESS SPECIFIED)				EC NO: 628886		2019/10/10		AVIKRIMP FEMALE			
4 PLACES ±				DRWN: VLOKESHA		2020/01/13		BULLET RECEPTACLE 18 - 14 AWG CHAIN STAMPED			
3 PLACES ±				CHK'D: GGA		2020/01/13		PRODUCT CUSTOMER DRAWING			
2 PLACES ±				APPR: GGA		2020/01/13		DOCUMENT NUMBER			
1 PLACE ±				INITIAL REVISION:				SD-19723-440		REVISION	
0 PLACES ±				DRWN: BRE		2002/06/28		PSD		001	
ANGULAR TOL ± °				APPR: RWD		2002/06/28		A1			
DRAFT WHERE APPLICABLE MUST REMAIN WITHIN DIMENSIONS				THIRD ANGLE PROJECTION		DRAWING		SERIES		SHEET NUMBER	
				B-SIZE		19723		SEE TABLE		GENERAL MARKET	
										1 OF 1	