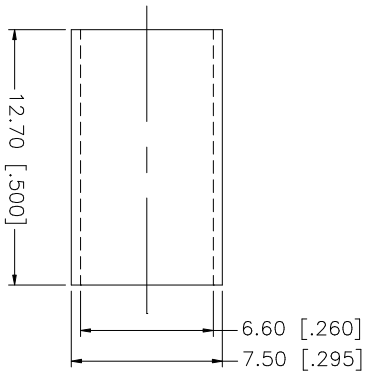
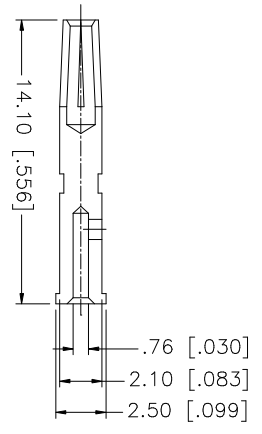
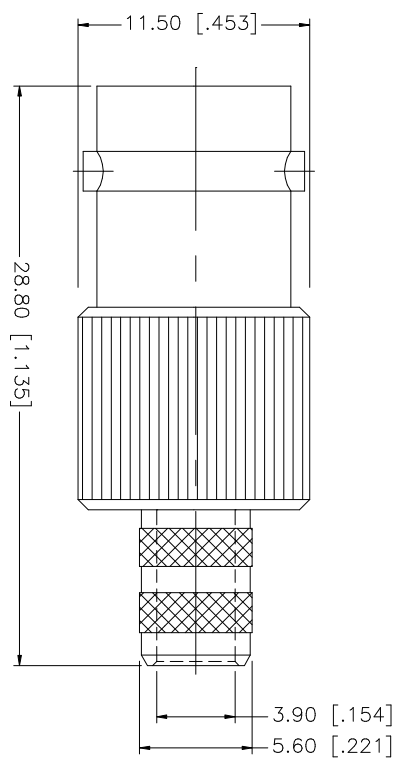
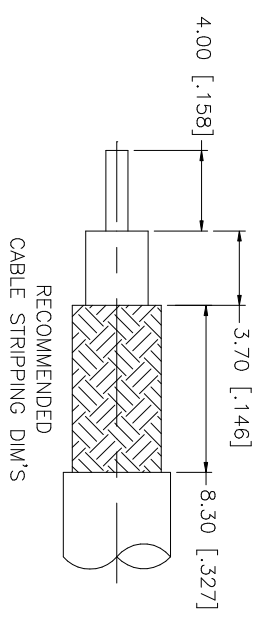


REV.	DATE	DESCRIPTION
NC	05/01/04	INITIAL RELEASE
A	08/15/06	REVISE NOTE: 1 - HEX CRIMP SIZE .255"



NOTE:

1. CRIMPED FERRULE  
HEX CRIMP SIZE .255"
2. CRIMPED CONTACT PIN  
HEX CRIMP SIZE .068"

DESCRIPTION	MATERIAL	FINISH	QTY	UNLESS OTHERWISE SPECIFIED DIMENSIONS ARE IN MILLIMETERS, DIMENSIONS IN [ ] ARE IN INCHES AND FOR CUSTOMER REFERENCE ONLY. TOLERANCES FOR MILLIMETERS ARE: 0.5 - 8mm ± 0.20mm 8 - 30mm ± 0.40mm 30 - 120mm ± 0.50mm UNLESS OTHERWISE SPECIFIED DIMENSIONS FOR INCHES ARE: .020 - .315 = ± 0.007" .315 - 1.180 = ± 0.015" 1.180 - 4.724 = ± 0.020"	APPROVALS	DATE	PART DESCRIPTION	DWG. NO.	REV.	SIZE	SCALE
8							<b>Amphenol Comtex</b> BNC CRIMP JACK (FOR RG-59/U CABLE) 75 ohms 112147	112147.DWG	A	A	NA
7				DRAWN	G.R.S.	08/15/06					
6				CHECKED							
5				ISSUED							
4	FERRULE	COPPER	NICKEL	SHEET	1 OF 1						
3	CONTACT PIN	PHOS. BRONZE	GOLD								
2	INSULATOR	TEFLON	NATURAL								
1	HOUSING/BODY	BRASS	NICKEL								
	DESCRIPTION	MATERIAL	FINISH	QTY	DO NOT SCALE DRAWING	CAD FILE	C:/112/112147.DWG				