

SN54ALS240A, SN54AS240A, SN74ALS240A, SN74AS240A OCTAL BUFFERS/DRIVERS WITH 3-STATE OUTPUTS

SDAS214D – DECEMBER 1982 – REVISED JULY 2001

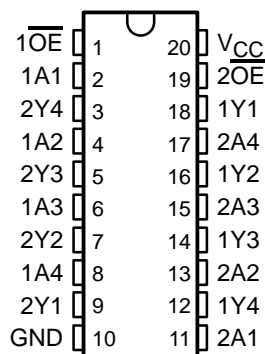
- 3-State Outputs Drive Bus Lines or Buffer Memory Address Registers
- pnp Inputs Reduce dc Loading

description

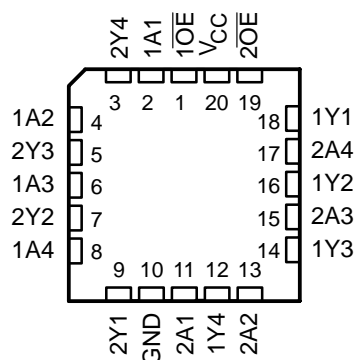
These octal buffers/drivers are designed specifically to improve both the performance and density of 3-state memory address drivers, clock drivers, and bus-oriented receivers and transmitters. When these devices are used with the 'ALS241, 'AS241A, 'ALS244, and 'AS244A, the circuit designer has a choice of selected combinations of inverting and noninverting outputs, symmetrical active-low output-enable (\overline{OE}) inputs, and complementary OE and \overline{OE} inputs. These devices feature high fan-out and improved fan-in.

The -1 version of SN74ALS240A is identical to the standard version, except that the recommended maximum I_{OL} for the -1 version is 48 mA. There is no -1 version of the SN54ALS240A.

SN54ALS240A, SN54AS240A . . . J OR W PACKAGE
SN74ALS240A . . . DB, DW, OR N PACKAGE
SN74AS240A . . . DW OR N PACKAGE
(TOP VIEW)



SN54ALS240A, SN54AS240A . . . FK PACKAGE
(TOP VIEW)



ORDERING INFORMATION

T _A	PACKAGE†		ORDERABLE PART NUMBER	TOP-SIDE MARKING
0°C to 70°C	PDIP – N	Tube	SN74ALS240AN	SN74ALS240AN
			SN74AS240AN	SN74AS240AN
	SOIC – DW	Tube	SN74ALS240ADW	ALS240A
			SN74AS240ADW	AS240A
			Tape and reel	SN74ALS240ADWR
			SN74AS240ADWR	AS240A
	SSOP – DB	Tape and reel	SN74ALS240ADBR	G240A
–55°C to 125°C	CDIP – J	Tube	SNJ54ALS240AJ	SNJ54ALS240AJ
			SNJ54AS240AJ	SNJ54AS240AJ
	CFP – W	Tube	SNJ54ALS240AW	SNJ54ALS240AW
			SNJ54AS240AW	SNJ54AS240AW
	LCCC – FK	Tube	SNJ54ALS240AFK	SNJ54ALS240AFK
			SNJ54AS240AFK	SNJ54AS240AFK

† Package drawings, standard packing quantities, thermal data, symbolization, and PCB design guidelines are available at www.ti.com/sc/package.



Please be aware that an important notice concerning availability, standard warranty, and use in critical applications of Texas Instruments semiconductor products and disclaimers thereto appears at the end of this data sheet.

PRODUCTION DATA information is current as of publication date. Products conform to specifications per the terms of Texas Instruments standard warranty. Production processing does not necessarily include testing of all parameters.

TEXAS
INSTRUMENTS

POST OFFICE BOX 655303 • DALLAS, TEXAS 75265

Copyright © 2001, Texas Instruments Incorporated
On products compliant to MIL-PRF-38535, all parameters are tested unless otherwise noted. On all other products, production processing does not necessarily include testing of all parameters.

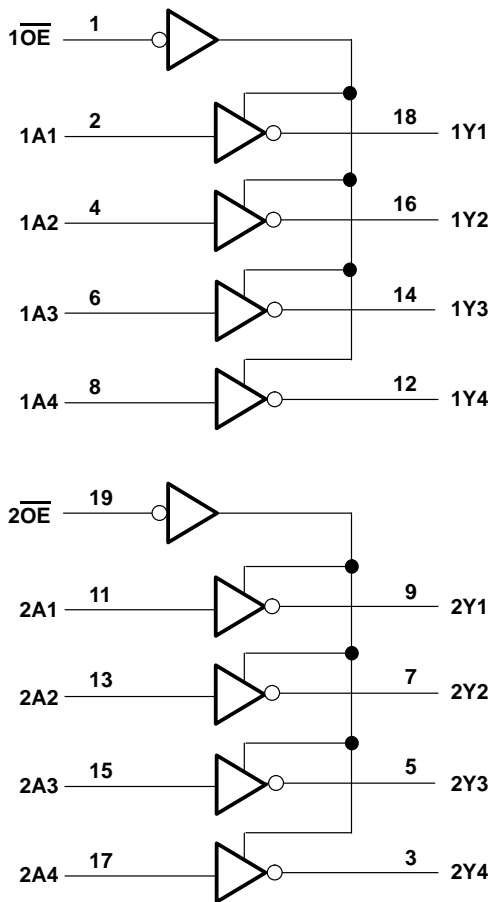
SN54ALS240A, SN54AS240A, SN74ALS240A, SN74AS240A OCTAL BUFFERS/DRIVERS WITH 3-STATE OUTPUTS

SDAS214D – DECEMBER 1982 – REVISED JULY 2001

FUNCTION TABLE
(each buffer)

INPUTS		OUTPUT
\overline{OE}	A	Y
L	H	L
L	L	H
H	X	Z

logic diagram (positive logic)



absolute maximum ratings over operating free-air temperature range (unless otherwise noted)†

Supply voltage, V_{CC}	7 V
Input voltage, V_I	7 V
Voltage applied to a disabled 3-state output	5.5 V
Package thermal impedance, θ_{JA} (see Note 1): DB package	70°C/W
DW package	58°C/W
N package	70°C/W
Storage temperature range, T_{stg}	-65°C to 150°C

† Stresses beyond those listed under “absolute maximum ratings” may cause permanent damage to the device. These are stress ratings only, and functional operation of the device at these or any other conditions beyond those indicated under “recommended operating conditions” is not implied. Exposure to absolute-maximum-rated conditions for extended periods may affect device reliability.

NOTE 1: The package thermal impedance is calculated in accordance with JESD 51-7.



POST OFFICE BOX 655303 • DALLAS, TEXAS 75265

SN54ALS240A, SN54AS240A, SN74ALS240A, SN74AS240A OCTAL BUFFERS/DRIVERS WITH 3-STATE OUTPUTS

SDAS214D – DECEMBER 1982 – REVISED JULY 2001

recommended operating conditions

		MIN	NOM	MAX	UNIT
V_{CC}	Supply voltage	4.5	5	5.5	V
V_{IH}	High-level input voltage	2			V
V_{IL}	Low-level input voltage	SN54ALS240A		0.7	V
		SN74ALS240A, 'AS240A		0.8	
I_{OH}	High-level output current	SN54ALS240A, SN54AS240A		-12	mA
		SN74ALS240A, SN74AS240A		-15	
I_{OL}	Low-level output current	SN54ALS240A		12	mA
		SN74ALS240A		24	
				48†	
				48	
T_A	Operating free-air temperature	SN54ALS240A, SN54AS240A		-55	°C
		SN74ALS240A, SN74AS240A		0	

† Applies only to the -1 version and only if V_{CC} is between 4.75 V and 5.25 V

electrical characteristics over recommended operating free-air temperature range (unless otherwise noted)

PARAMETER	TEST CONDITIONS	SN54ALS240A		SN74ALS240A		UNIT	
		MIN	TYP‡	MAX	MIN		TYP‡
V_{IK}	$V_{CC} = 4.5\text{ V}$, $I_I = -18\text{ mA}$			-1.2		-1.2	V
V_{OH}	$V_{CC} = 4.5\text{ V to } 5.5\text{ V}$, $I_{OH} = -0.4\text{ mA}$	$V_{CC} - 2$		$V_{CC} - 2$		V	
	$V_{CC} = 4.5\text{ V}$	$I_{OH} = -3\text{ mA}$	2.4	3.2	2.4		3.2
		$I_{OH} = -12\text{ mA}$	2				
V_{OL}	$V_{CC} = 4.5\text{ V}$	$I_{OH} = -15\text{ mA}$			2		
		$I_{OL} = 12\text{ mA}$	0.25	0.4	0.25	0.4	
		$I_{OL} = 24\text{ mA}$			0.35		0.5
		$I_{OL} = 48\text{ mA}^\dagger$			0.35		0.5
I_{OZH}	$V_{CC} = 5.5\text{ V}$, $V_O = 2.7\text{ V}$			20	20		μA
I_{OZL}	$V_{CC} = 5.5\text{ V}$, $V_O = 0.4\text{ V}$			-20	-20		μA
I_I	$V_{CC} = 5.5\text{ V}$, $V_I = 7\text{ V}$			0.1	0.1		mA
I_{IH}	$V_{CC} = 5.5\text{ V}$, $V_I = 2.7\text{ V}$			20	20		μA
I_{IL}	$V_{CC} = 5.5\text{ V}$, $V_I = 0.4\text{ V}$			-0.1	-0.1		mA
I_{O}^\S	$V_{CC} = 5.5\text{ V}$, $V_O = 2.25\text{ V}$	-20		-112	-30	-112	mA
I_{CC}	$V_{CC} = 5.5\text{ V}$	Outputs high	4	11	4	11	mA
		Outputs low	13	23	13	23	
		Outputs disabled	14	25	14	25	

† Applies only to the -1 version and only if V_{CC} is between 4.75 V and 5.25 V

‡ All typical values are at $V_{CC} = 5\text{ V}$, $T_A = 25^\circ\text{C}$.

§ The output conditions have been chosen to produce a current that closely approximates one-half of the true short-circuit output current, I_{OS} .



SN54ALS240A, SN54AS240A, SN74ALS240A, SN74AS240A

OCTAL BUFFERS/DRIVERS

WITH 3-STATE OUTPUTS

SDAS214D – DECEMBER 1982 – REVISED JULY 2001

electrical characteristics over recommended operating free-air temperature range (unless otherwise noted)

PARAMETER	TEST CONDITIONS		SN54AS240A			SN74AS240A			UNIT
			MIN	TYP†	MAX	MIN	TYP†	MAX	
V _{IK}	V _{CC} = 4.5 V, I _I = -18 mA		-1.2			-1.2			V
V _{OH}	V _{CC} = 4.5 V to 5.5 V	I _{OH} = -2 mA	V _{CC} - 2			V _{CC} - 2			V
		I _{OH} = -3 mA	2.4	3.4		2.4	3.4		
	V _{CC} = 4.5 V	I _{OH} = -12 mA	2.4						
		I _{OH} = -15 mA				2.4			
V _{OL}	V _{CC} = 4.5 V	I _{OL} = 48 mA	0.27	0.55				V	
		I _{OL} = 64 mA				0.31	0.55		
I _{OZH}	V _{CC} = 5.5 V, V _O = 2.7 V				50			μA	
I _{OZL}	V _{CC} = 5.5 V, V _O = 0.4 V				-50			μA	
I _I	V _{CC} = 5.5 V, V _I = 7 V				0.1			mA	
I _{IH}	V _{CC} = 5.5 V, V _I = 2.7 V				20			μA	
I _{IL}	A inputs	V _{CC} = 5.5 V, V _I = 0.4 V				-1			mA
	$\overline{\text{OE}}$ inputs					-0.5			
I _{O†}	V _{CC} = 5.5 V, V _O = 2.25 V				-50	-150	-50	-150	mA
I _{CC}	V _{CC} = 5.5 V	Outputs high	11	17	11	17	mA		
		Outputs low	51	75	51	75			
		Outputs disabled	24	38	24	38			

† All typical values are at V_{CC} = 5 V, T_A = 25°C.

‡ The output conditions have been chosen to produce a current that closely approximates one-half of the true short-circuit output current, I_{OS}.

switching characteristics (see Figure 1)

PARAMETER	FROM (INPUT)	TO (OUTPUT)	V _{CC} = 4.5 V to 5.5 V, C _L = 50 pF, R ₁ = 500 Ω, R ₂ = 500 Ω, T _A = MIN to MAX§				UNIT
			SN54ALS240A		SN74ALS240A		
			MIN	MAX	MIN	MAX	
t _{PLH}	A	Y	2	22	2	9	ns
t _{PHL}			2	11	2	9	
t _{PZH}	$\overline{\text{OE}}$	Y	4	34	5	13	ns
t _{PZL}			5	26	5	18	
t _{PHZ}	$\overline{\text{OE}}$	Y	1	15	2	10	ns
t _{PLZ}			3	24	3	12	

§ For conditions shown as MIN or MAX, use the appropriate value specified under recommended operating conditions.



SN54ALS240A, SN54AS240A, SN74ALS240A, SN74AS240A
OCTAL BUFFERS/DRIVERS
WITH 3-STATE OUTPUTS

SDAS214D – DECEMBER 1982 – REVISED JULY 2001

switching characteristics (see Figure 1)

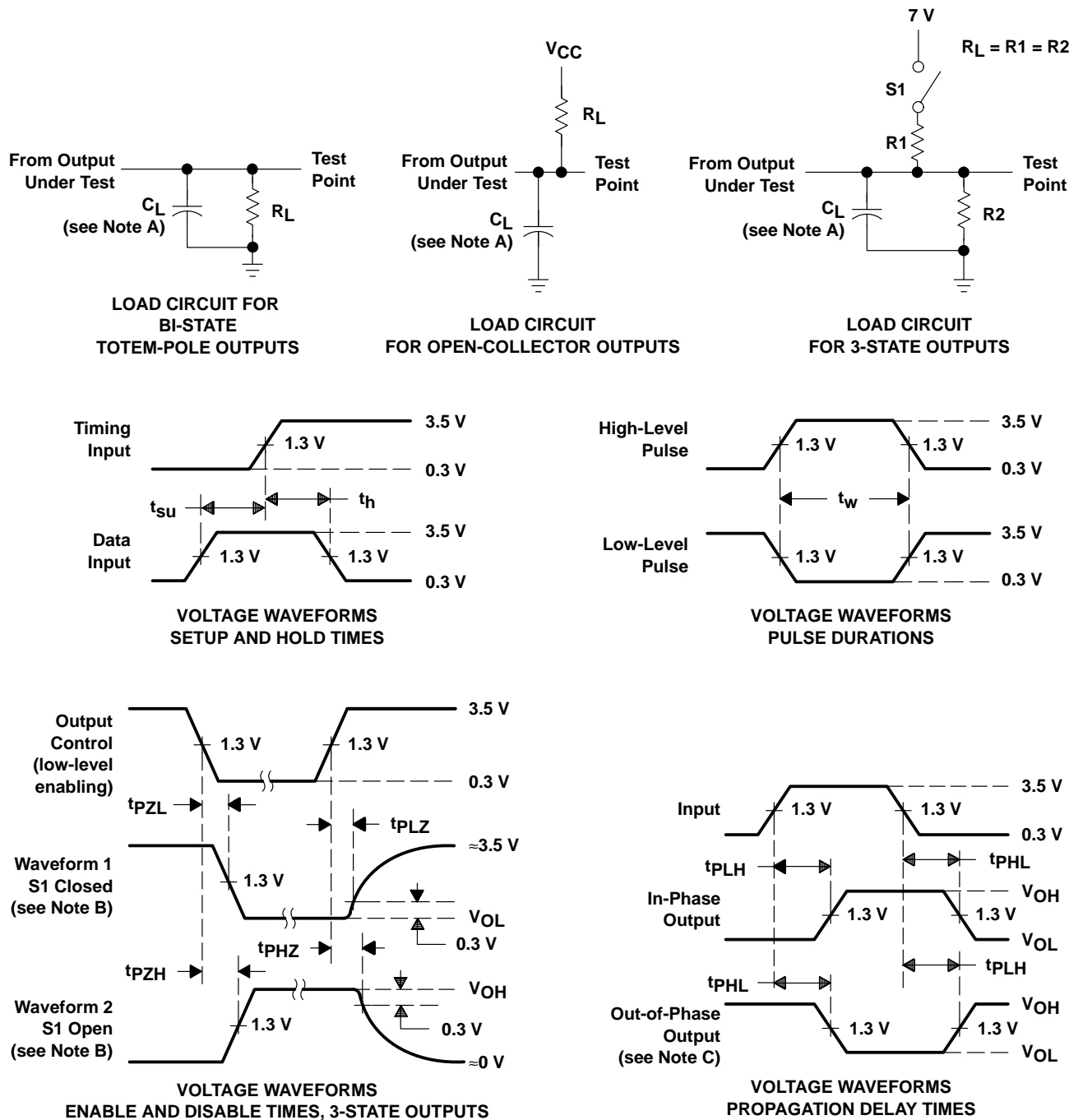
PARAMETER	FROM (INPUT)	TO (OUTPUT)	$V_{CC} = 4.5 \text{ V to } 5.5 \text{ V},$ $C_L = 50 \text{ pF},$ $R_1 = 500 \Omega,$ $R_2 = 500 \Omega,$ $T_A = \text{MIN to MAX}^\dagger$				UNIT
			SN54AS240A		SN74AS240A		
			MIN	MAX	MIN	MAX	
t _{PLH}	A	Y	1	7	1	6.5	ns
t _{PHL}			1.2	6.5	1.2	6.5	
t _{PZH}	$\overline{\text{OE}}$	Y	1	7	1	6.4	ns
t _{PZL}			1.1	9.5	1.1	9	
t _{PHZ}	$\overline{\text{OE}}$	Y	1.2	5.5	1.2	5	ns
t _{PLZ}			1.5	12.5	1.5	9.5	

† For conditions shown as MIN or MAX, use the appropriate value specified under recommended operating conditions.

SN54ALS240A, SN54AS240A, SN74ALS240A, SN74AS240A OCTAL BUFFERS/DRIVERS WITH 3-STATE OUTPUTS

SDAS214D – DECEMBER 1982 – REVISED JULY 2001

PARAMETER MEASUREMENT INFORMATION SERIES 54ALS/74ALS AND 54AS/74AS DEVICES



- NOTES: A. C_L includes probe and jig capacitance.
 B. Waveform 1 is for an output with internal conditions such that the output is low except when disabled by the output control. Waveform 2 is for an output with internal conditions such that the output is high except when disabled by the output control.
 C. When measuring propagation delay items of 3-state outputs, switch S1 is open.
 D. All input pulses have the following characteristics: $PRR \leq 1$ MHz, $t_r = t_f = 2$ ns, duty cycle = 50%.
 E. The outputs are measured one at a time with one transition per measurement.

Figure 1. Load Circuits and Voltage Waveforms



IMPORTANT NOTICE

Texas Instruments and its subsidiaries (TI) reserve the right to make changes to their products or to discontinue any product or service without notice, and advise customers to obtain the latest version of relevant information to verify, before placing orders, that information being relied on is current and complete. All products are sold subject to the terms and conditions of sale supplied at the time of order acknowledgment, including those pertaining to warranty, patent infringement, and limitation of liability.

TI warrants performance of its products to the specifications applicable at the time of sale in accordance with TI's standard warranty. Testing and other quality control techniques are utilized to the extent TI deems necessary to support this warranty. Specific testing of all parameters of each device is not necessarily performed, except those mandated by government requirements.

Customers are responsible for their applications using TI components.

In order to minimize risks associated with the customer's applications, adequate design and operating safeguards must be provided by the customer to minimize inherent or procedural hazards.

TI assumes no liability for applications assistance or customer product design. TI does not warrant or represent that any license, either express or implied, is granted under any patent right, copyright, mask work right, or other intellectual property right of TI covering or relating to any combination, machine, or process in which such products or services might be or are used. TI's publication of information regarding any third party's products or services does not constitute TI's approval, license, warranty or endorsement thereof.

Reproduction of information in TI data books or data sheets is permissible only if reproduction is without alteration and is accompanied by all associated warranties, conditions, limitations and notices. Representation or reproduction of this information with alteration voids all warranties provided for an associated TI product or service, is an unfair and deceptive business practice, and TI is not responsible nor liable for any such use.

Resale of TI's products or services with statements different from or beyond the parameters stated by TI for that product or service voids all express and any implied warranties for the associated TI product or service, is an unfair and deceptive business practice, and TI is not responsible nor liable for any such use.

Also see: [Standard Terms and Conditions of Sale for Semiconductor Products](http://www.ti.com/sc/docs/stdterms.htm). www.ti.com/sc/docs/stdterms.htm

Mailing Address:

Texas Instruments
Post Office Box 655303
Dallas, Texas 75265