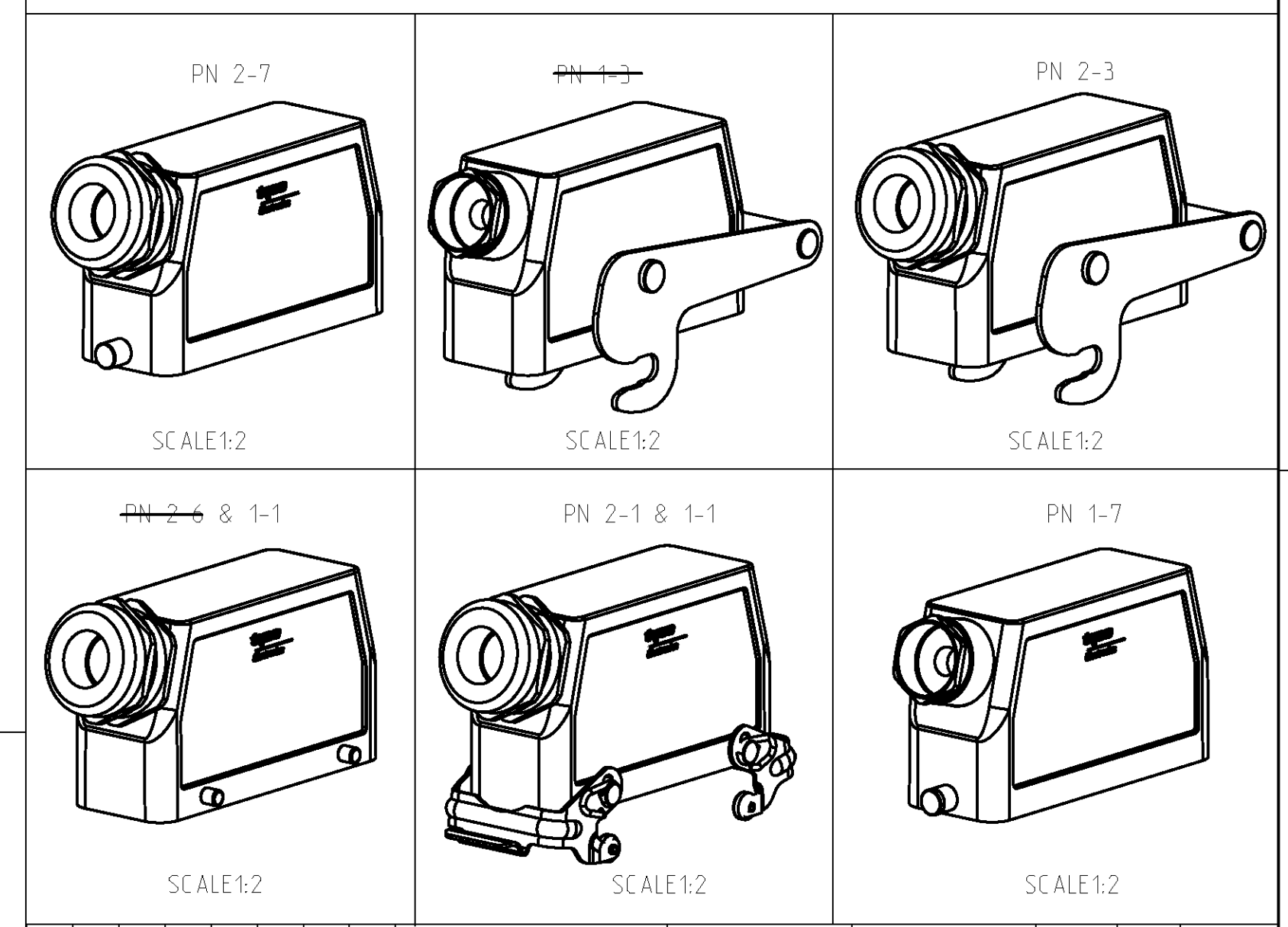


LOC	DIST	REVISIONS			
P	LYR	DESCRIPTION	DATE	DWN	APVD
B2		Released as per ECR-07-019955	22.08.07	SK	TS
B3		REVISED PER ECO-09-027197	21JAN10	KK	HMR

- NOTES:
- Material:Housing:Aluminium Diecasting Alloy
 - Surface:Varnish grey
 - Varnish on the inside not necessary
 - Packaging
Quantity 5 Pieces in a box
- OBsolete PARTS: OBSOLETE CIS STREAMLINING PER D.RENAUD/D.SINISI**



QTY	REF	DESCRIPTION	MATERIAL	SURFACE	COLOR	TEM NO	REMARKS							
1		ZB-Central clip	Stainless steel	-		11								
	2	ZB-Central clip	Steel	Zinc plated	Blue	10								
		VS-Clip bolt	Stainless steel	-		9								
	2	VS-Clip bolt	Steel	Zinc plated	Blue	8								
		VS-Locking clip	Stainless steel	-		7								
	2	VS-Locking clip	Steel	Zinc plated	Blue	6								
		VS-Locking clip bolt	Stainless steel	-		5								
1	1	Cable connection round	Brass	Nickel plated		4								
	1	Pg-Gland fitting pg21	Brass	Nickel plated		3								
1	1	Hood HB.24.Pg.1.21	Aluminium	Aluminiumoxide	Black	2								
	1	Hood HB.24.Pg.1.21	Aluminium	-	Grey	1								
2-3	1-3	2-7	1-7	2-1	1-1	2-6	1-6	DESCRIPTION	MATERIAL	SURFACE	COLOR	TEM NO	REMARKS	
								DESCRIPTION						
								HB.24.Sts-1.21						
								HB-K.24.Sts-1.21						
								HB.24.Sts-VS-1.21						
								HB-K.Sts-VS-1.21						
								HB.24.Sts-GR.1.21						
								HB-K.24.Sts-GR.1.21						
								HB-2.24.Sts-ZB-1.21						
								HB-K/2.24.Sts-ZB-1.21						

DIMENSIONS: mm		TOLERANCES UNLESS OTHERWISE SPECIFIED: 0 PLC ± 1 PLC ± 2 PLC ± 3 PLC ± 4 PLC ± ANGLES ±		DWN: Schweiger 17.07.1997 CHK: Schnurfeil 17.07.1997 APVD:		Tyco Electronics Tyco Electronics,AMP-GmbH 0-53819,Neunkirchen,Germany	
MATERIAL:		FINISH:		PRODUCT SPEC: HB-24003 APPLICATION SPEC: 116-74001 WEIGHT:		NAME: Hood HB.24 SIZE: CAGE CODE: DRAWING NO: A1100779 C-1102314 RESTRICTED TO:	
CUSTOMER DRAWING				SCALE: 1:1		SHEET 1 OF 1 REV B3	