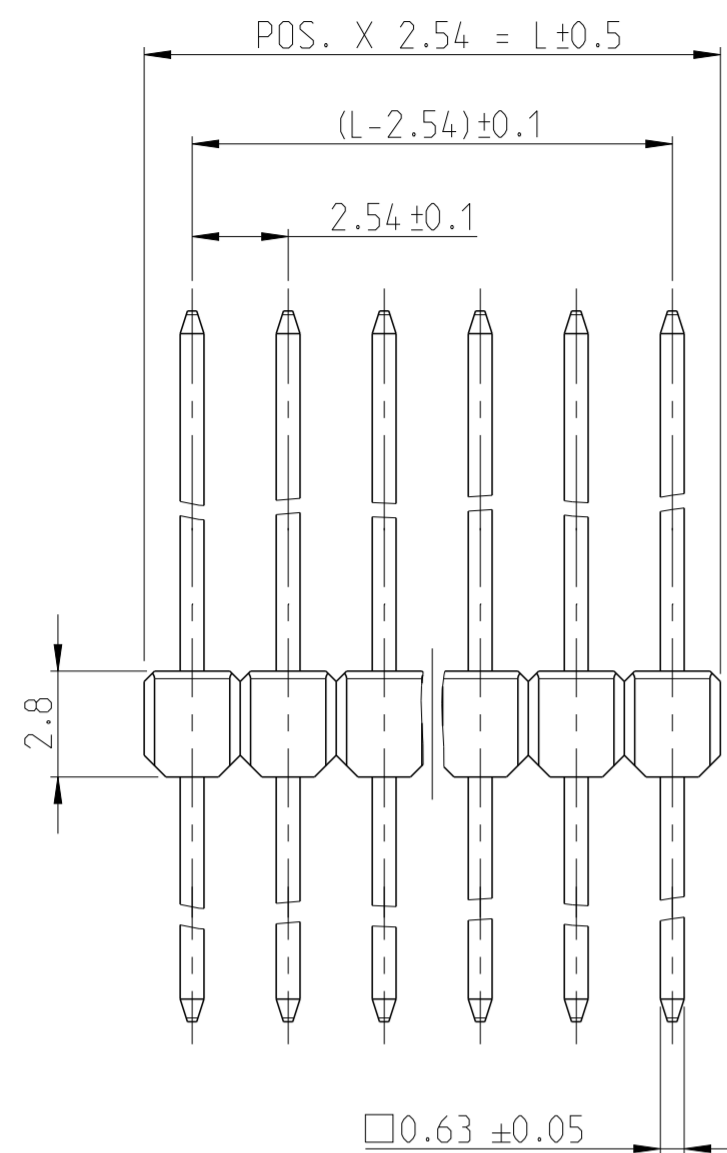
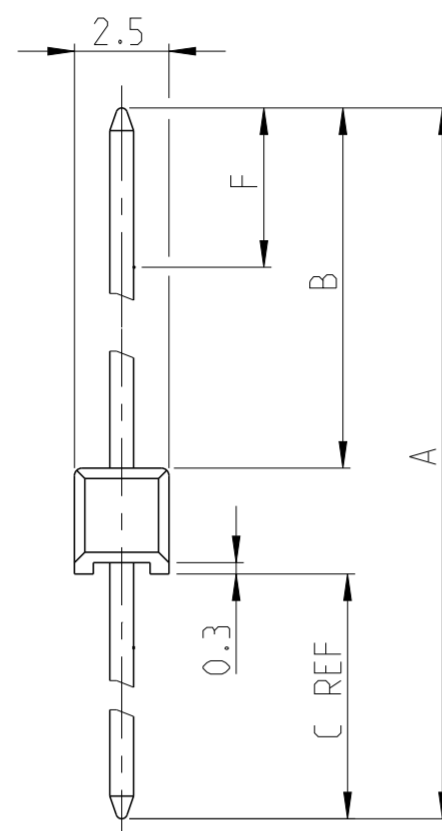


REVISIONS				
P	LTR	DESCRIPTION	DATE	APVD
AC1		TOLERANCE ADDED FOR DIMENSION 0.63	17JUN2019	SS PS
AC2		NOTE 1 0.76 μm PLATING UPDATE (PdNi+AuFLASH)	10JUL2023	BGC PS



"F" = GOLD AREA



DIMENSION					PART- NO.		PART- NO.			PART- NO.						
A	B	C	F	-	SELECTIVE GOLD PLATED			TIN PLATED			SELECTIVE GOLD PLATED					
					△1	△5	△7	WEIGHT POS. PER ROW			WEIGHT POS. PER ROW			WEIGHT POS. PER ROW		
12.7	6.7	3.2	4.4	-	△1	△5	△7	△2	△5	△7	△3	△4	△7			
12.0	6.7	2.5	4.4	-				△8								
11.8	5.8	3.2	4.4	-							△8			829070		0.0621 g
11.1	5.8	2.5	4.4	-												
14.0	8.0	3.2	4.4	-												
13.3	8.0	2.5	4.4	-				△8								
12.7	6.7	3.2	5.5	-							△8			828356		0.0653 g

CONTACT PIN	CuZn	SEE TABLE
PIN HOUSING	PBT GV	SEE TABLE
DESCRIPTION	MATERIAL	FABRE/COLOR/PLATING/SURFACE

NOTES:

△1 MATING SIDE : AREA "F" MIN 0.76 μm (PdNi + Au FLASH) 1.27 μm NICKEL BY AREA "B"
 (Alternative plating - Min 0.76 μm Au OVER 1.27 μm Ni)
 SOLDER SIDE: MIN 3 μm TIN OVER 1.27 μm NICKEL

△2 MATING AND SOLDER SIDE : MIN 3 μm TIN OVER 1.27 μm NICKEL

△3 MATING SIDE: AREA "F" 0.13 μm GOLD OVER 1.27 μm NICKEL BY AREA "B"
 SOLDER SIDE: MIN 3 μm TIN OVER 1.27 μm NICKEL

△4 COLOR OF HOUSING: GREY

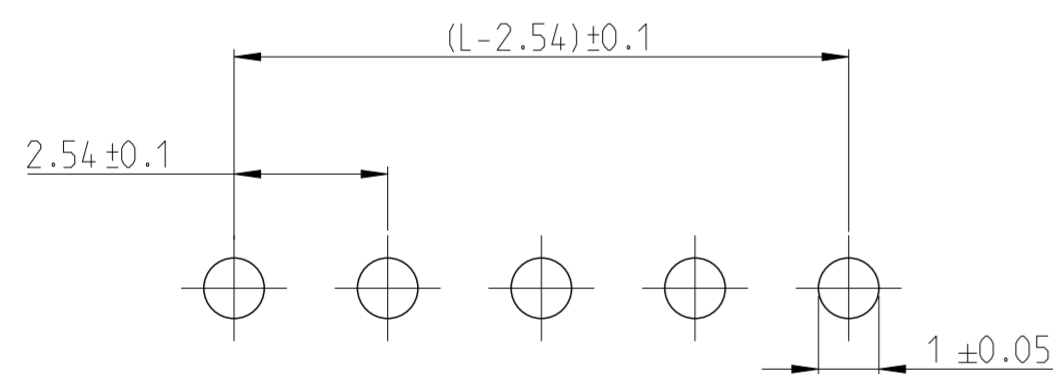
△5 COLOR OF HOUSING: GREEN

△6 TOLERANCES NOT CUMULATIVE

△7 THE NUMBER OF POSITION PER ROW HAS TO BE ADDED TO THE BASE NO. AS A DASH NO.
 EG: 2-826629-0 = 20 POSITIONS

THE NUMBER OF POSITIONS PER ROW IS ALSO THE FACTOR FOR THE WEIGHT DETERMINATION
 E.G: 20 X 0.0654 g = 1.308 g

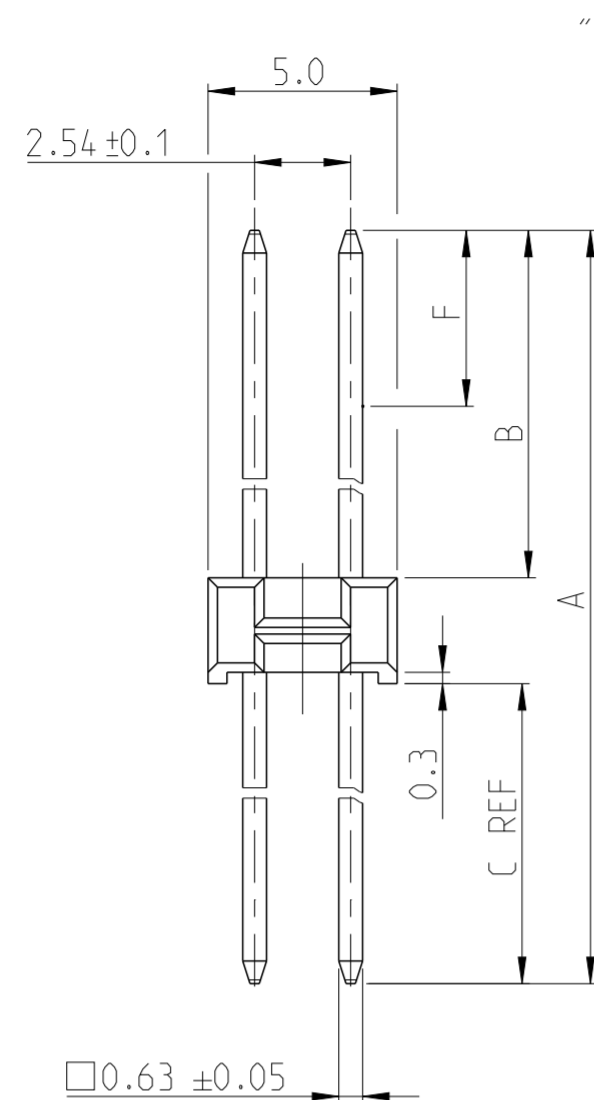
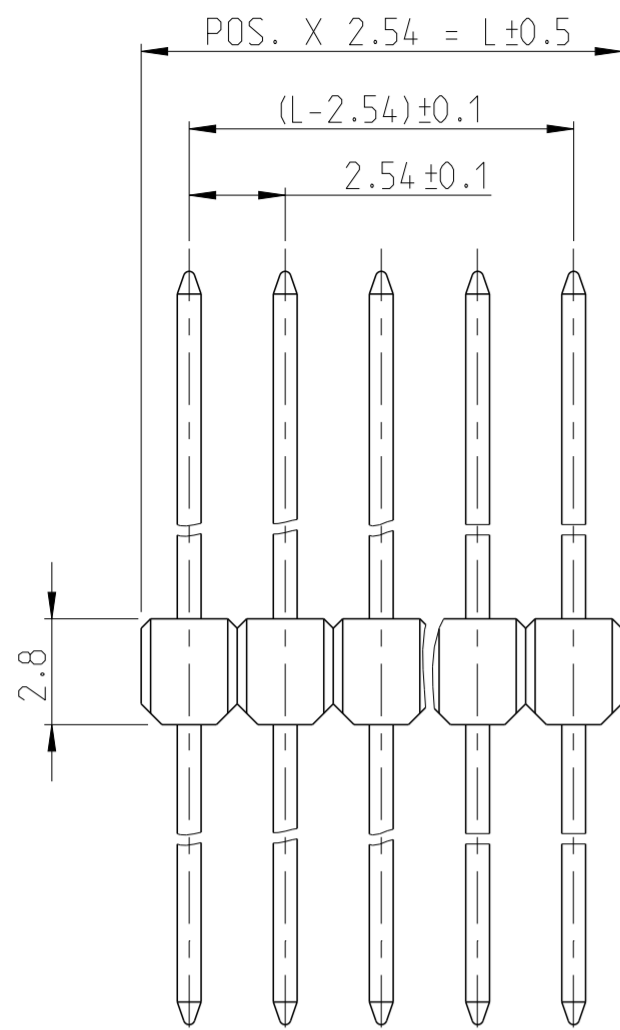
△8 OBSOLETE



SCALE 8:1 LAYOUT FOR HOLES ON PCB

THIS DRAWING IS A CONTROLLED DOCUMENT.		DWN G.HOLAUS 10NOV1989	TE Connectivity	
DIMENSIONS: mm		CHK SCHAARSCHMIDT M.		
TOLERANCES UNLESS OTHERWISE SPECIFIED: ±0.2mm △6		APVD	NAME AMPMODU II PIN HEADER, SINGLE ROW, DUAL ROW, VERTICAL AND RIGHT ANGLE MOUNT	
0 PLC ±		PRODUCT SPEC 108-18012	SIZE CAGE CODE DRAWING NO RESTRICTED TO	
1 PLC ±		APPLICATION SPEC 114-25011	A2 00779 C-826629	
2 PLC ±		WEIGHT -	SCALE 5:1 SHEET 1 OF 4 REV AC2	
3 PLC ±		CUSTOMER DRAWING		
4 PLC ±				
ANGLES ±				
FINISH -				

P	LTR	DESCRIPTION	DATE	DWN	APVD
		SEE SHEET 1			



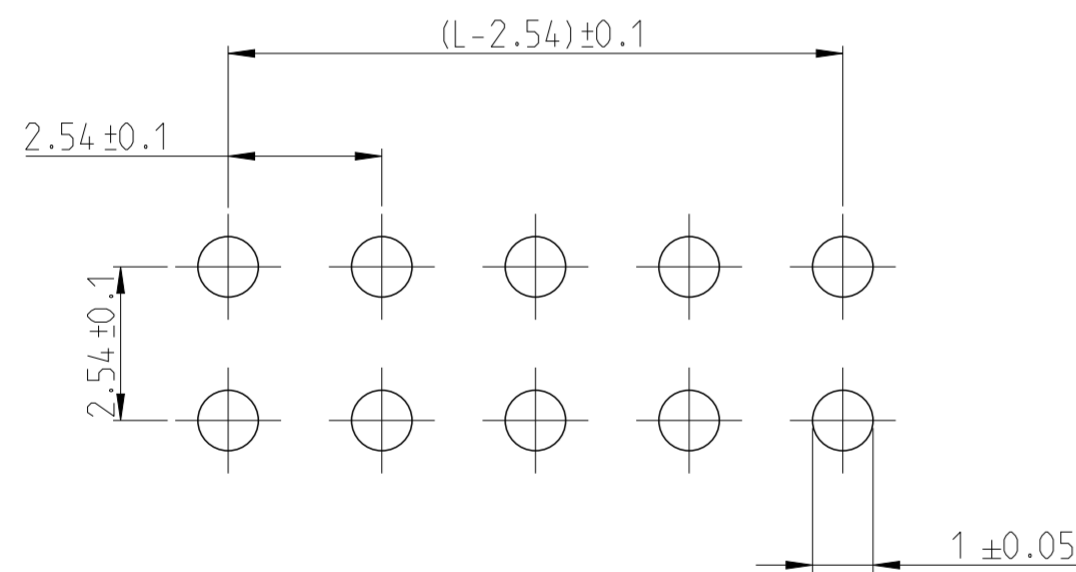
"F" = GOLD AREA

DIMENSION					PART-NO.		PART- NO.		PART- NO.		
A	B	C	F	-	SELECTIVE GOLD PLATED	WEIGHT POS. PER ROW	TIN PLATED	WEIGHT POS. PER ROW	SELECTIVE GOLD PLATED	WEIGHT POS. PER ROW	
					△1 △5 △7		△2 △5 △7		△3 △4 △7		
12.7	6.7	3.2	5.5	-	826632	0.1276 g	826925	0.1279 g	828420	0.1272 g	
12.0	6.7	2.5	4.4	-	826633	0.1226 g	826941	0.1229 g			
11.8	5.8	3.2	4.4	-	826656	0.1212 g	826942	0.1217 g	△8 828533	0.1209 g	
11.1	5.8	2.5	4.4	-	826657	0.1162 g	826943	0.1165 g			
14.0	8.0	3.2	4.4	-	826658	0.1366 g	826944	0.1370 g			
13.3	8.0	2.5	4.4	-	826659	0.1316 g	△8 826945	0.1323 g			

CONTACT PIN	CuZn	SEE TABLE
PIN HOUSING	PBT GV	SEE TABLE
DESCRIPTION	MATERIAL	FABRE/COLOR/PLATING/SURFACE

NOTES:

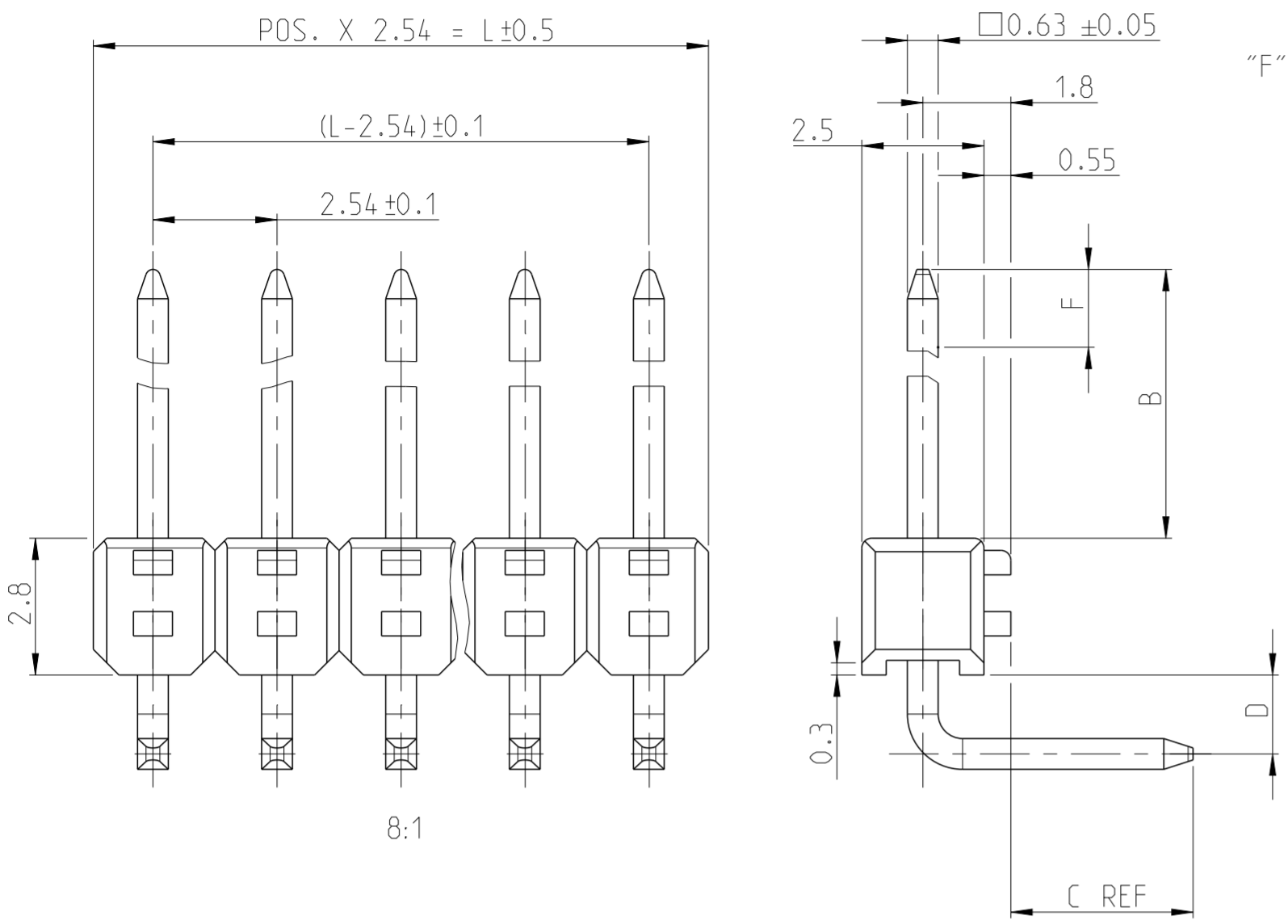
- △1 MATING SIDE : AREA "F" MIN 0.76µm (PdNi + Au FLASH) (Alternative plating - Min 0.76µm Au plating) OVER 1.27µm NICKEL BY AREA "B" SOLDER SIDE: MIN 3µm TIN OVER 1.27µm NICKEL
- △2 MATING AND SOLDER SIDE : MIN 3µm TIN OVER 1.27µm NICKEL
- △3 MATING SIDE: AREA "F" 0.13µm GOLD OVER 1.27µm NICKEL BY AREA "B" SOLDER SIDE: MIN 3µm TIN OVER 1.27µm NICKEL
- △4 COLOR OF HOUSING: GREY
- △5 COLOR OF HOUSING: GREEN
- △6 TOLERANCES NOT CUMULATIVE
- △7 THE NUMBER OF POSITION PER ROW HAS TO BE ADDED TO THE BASE NO. AS A DASH NO. EG: 2-826632-0 = 20 POSITIONS
THE NUMBER OF POSITIONS PER ROW IS ALSO THE FACTOR FOR THE WEIGHT DETERMINATION
E.G: 20 X 0.1276 g = 2.552 g
- △8 OBSOLETE



SCALE 8:1
LAYOUT FOR HOLES ON PCB

THIS DRAWING IS A CONTROLLED DOCUMENT.		DWN G.HOLAUS 10NOV1989	TE Connectivity		
DIMENSIONS: mm		CHK SCHAARSCHMIDT M.			
TOLERANCES UNLESS OTHERWISE SPECIFIED: ±0.2mm △6		APVD	NAME AMPMODU II PIN HEADER, SINGLE ROW, DUAL ROW, VERTICAL AND RIGHT ANGLE MOUNT		
0 PLC ± 1 PLC ± 2 PLC ± 3 PLC ± 4 PLC ± ANGLES ± FINISH -		PRODUCT SPEC 108-18012	SIZE A2	CAGE CODE 00779	DRAWING NO C-826629
MATERIAL SEE TABLE		APPLICATION SPEC 114-25011	RESTRICTED TO	SCALE 5:1 SHEET 2 OF 4 REV AC2	
		WEIGHT -	CUSTOMER DRAWING		

P	LTR	DESCRIPTION	DATE	DWN	APVD
		SEE SHEET 1			

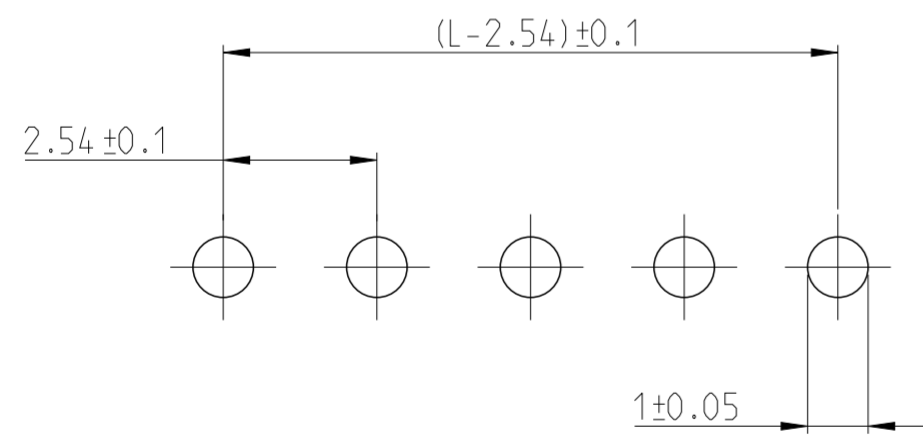


DIMENSION					PART-NO.		PART- NO.		PART- NO.		
B	C	D	F	-	SELECTIVE GOLD PLATED	WEIGHT POS. PER ROW	TIN PLATED	WEIGHT POS. PER ROW	SELECTIVE GOLD PLATED	WEIGHT POS. PER ROW	
6.7	3.2	1.3	4.4	-	1 5 7	826631	5 7	0.0757 g	3 4 7	829071	
6.7	2.5	1.3	4.4	-		826651	5 7	0.0731 g			
5.8	3.2	1.3	4.4	-		826652	5 7	0.0726 g	8	829071	
5.8	2.5	1.3	4.4	-		826653	5 7	0.0701 g			
8.0	3.2	1.3	4.4	-		826654	5 7	0.0803 g			
8.0	2.5	1.3	4.4	-		826655	9 10	0.0777 g			
6.7	3.2	1.3	5.5	-		-		-	8	828419	

CONTACT PIN	CuZn	SEE TABLE
CONTACT PIN	CuSn6 ⁹	SEE TABLE
PIN HOUSING	PBT GV	SEE TABLE
DESCRIPTION	MATERIAL	FABRE/COLOR/PLATING/SURFACE

NOTES:

- 1 MATING SIDE : MIN 0.76 μm (PdNi + Au FLASH) (Alternative plating - Min 0.76 μm Au plating)
- 2 MATING AND SOLDER SIDE : MIN 3 μm TIN OVER 1.27 μm NICKEL
- 3 MATING SIDE: AREA "F" 0.13 μm GOLD OVER 1.27 μm NICKEL BY AREA "B" SOLDER SIDE: MIN 3 μm TIN OVER 1.27 μm NICKEL
- 4 COLOR OF HOUSING: GREY
- 5 COLOR OF HOUSING: GREEN
- 6 TOLERANCES NOT CUMULATIVE
- 7 THE NUMBER OF POSITION PER ROW HAS TO BE ADDED TO THE BASE NO. AS A DASH NO. EG: 2-826631-0 = 20 POSITIONS
- 8 OBSOLETE
- 9 THE NUMBER OF POSITIONS PER ROW IS ALSO THE FACTOR FOR THE WEIGHT DETERMINATION E.G: 20 X 0.0757 g = 1.514 g
- 10 MATING AND SOLDER SIDE : 2 μm TIN OVER 1.27 μm NICKEL

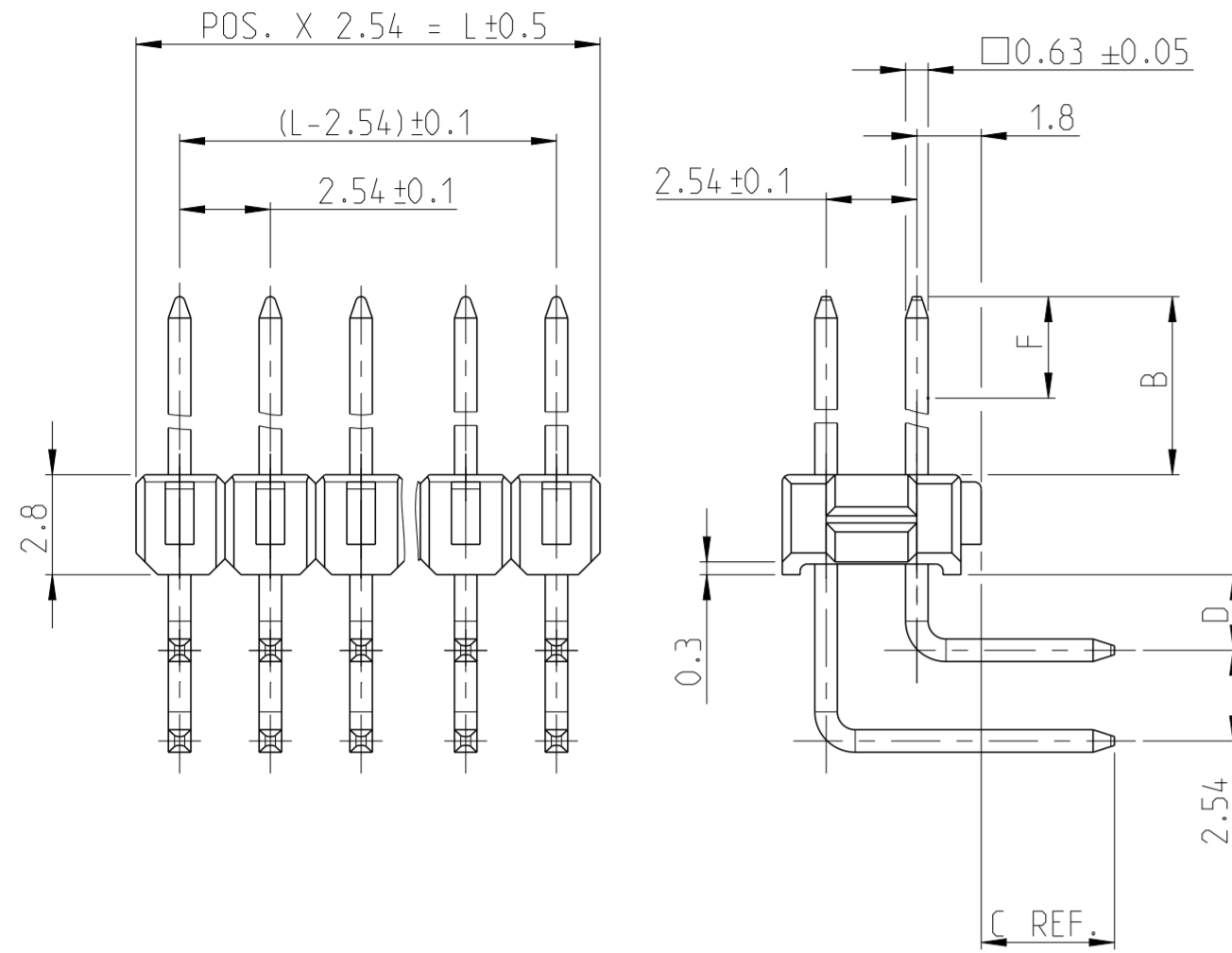


SCALE 8:1
LAYOUT FOR HOLES ON PCB

THIS DRAWING IS A CONTROLLED DOCUMENT.		DWN G.HOLAUS 10NOV1989	TE Connectivity	
DIMENSIONS: mm		CHK SCHAARSCHMIDT M.		
TOLERANCES UNLESS OTHERWISE SPECIFIED: ±0.2mm		APVD -	NAME AMPMODU II PIN HEADER, SINGLE ROW, DUAL ROW, VERTICAL AND RIGHT ANGLE MOUNT	
0 PLC ±		PRODUCT SPEC 108-18012	SIZE A2	CAGE CODE 00779
1 PLC ±		APPLICATION SPEC 114-25011	DRAWING NO C-826629	RESTRICTED TO -
2 PLC ±		WEIGHT -	SCALE 5:1 SHEET 3 OF 4 REV AC2	
3 PLC ±		CUSTOMER DRAWING		
4 PLC ±				
ANGLES				
FINISH				
MATERIAL SEE TABLE				

REVISIONS

P	LTR	DESCRIPTION	DATE	DWN	APVD
		SEE SHEET 1			



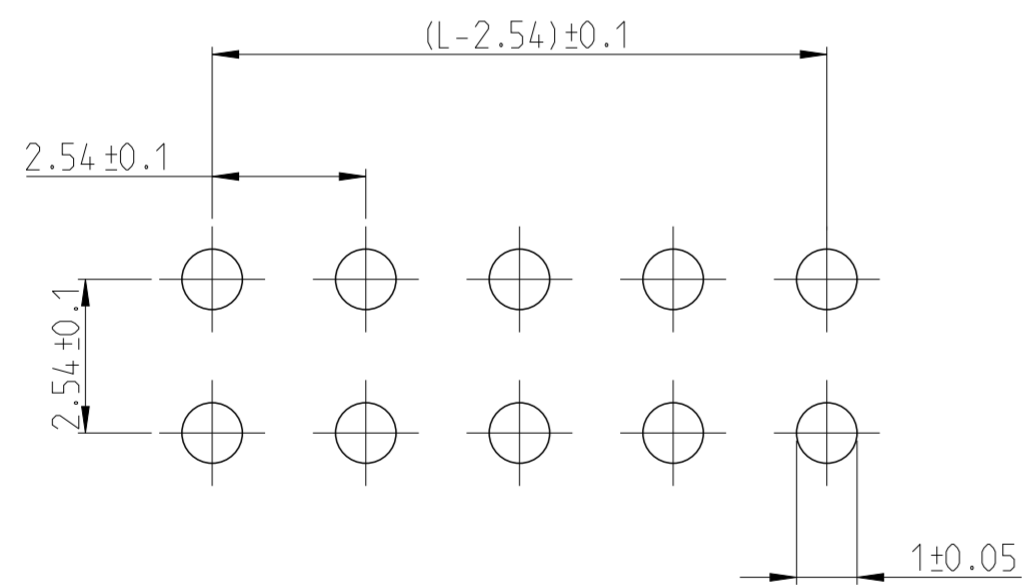
"F" = GOLD AREA

DIMENSION					PART-NO.		PART- NO.		PART- NO.	
B	C	D	F	-	SELECTIVE GOLD PLATED	△7	TIN PLATED	△7	SELECTIVE GOLD PLATED	△7
					△1 △5 △7	WEIGHT POS. PER ROW	△2 △5 △7	WEIGHT POS. PER ROW	△3 △4 △7	WEIGHT POS. PER ROW
6.7	3.2	1.3	4.4	-	826634	0.1646 g	826953	0.1656 g	△8 828418	0.1651 g
6.7	2.5	1.3	4.4	-	△8 826661	0.1597 g	△8 826954	0.1606 g		
5.8	3.2	1.3	4.4	-	826662	0.1587 g	826955	0.1603 g	△8 829072	0.1587 g
5.8	2.5	1.3	4.4	-	826663	0.1538 g	△8 826956	0.1542 g		
8.0	3.2	1.3	4.4	-	826664	0.1741 g	826957	0.1749 g		
8.0	2.5	1.3	4.4	-	826665	0.1687 g	△8 826958	0.1699 g		

CONTACT PIN	CuZn	SEE TABLE
PIN HOUSING	PBT GV	SEE TABLE
DESCRIPTION	MATERIAL	FABRE/COLOR/PLATING/SURFACE

NOTES:

- △1 MATING SIDE : AREA "F" MIN 0.76µm (PdNi + Au FLASH) (Alternative plating - Min 0.76µm Au plating) OVER 1.27µm NICKEL BY AREA "B" SOLDER SIDE: MIN 3µm TIN OVER 1.27µm NICKEL
- △2 MATING AND SOLDER SIDE : MIN 3µm TIN OVER 1.27µm NICKEL
- △3 MATING SIDE: AREA "F" 0.13µm GOLD OVER 1.27µm NICKEL BY AREA "B" SOLDER SIDE: MIN 3µm TIN OVER 1.27µm NICKEL
- △4 COLOR OF HOUSING: GREY
- △5 COLOR OF HOUSING: GREEN
- △6 TOLERANCES NOT CUMULATIVE
- △7 THE NUMBER OF POSITION PER ROW HAS TO BE ADDED TO THE BASE NO. AS A DASH NO. E.G: 2-826634-0 = 20 POSITIONS
- THE NUMBER OF POSITIONS PER ROW IS ALSO THE FACTOR FOR THE WEIGHT DETERMINATION E.G: 20 X 0.1646 g = 3.292 g
- △8 OBSOLETE



SCALE 8:1 LAYOUT FOR HOLES ON PCB

THIS DRAWING IS A CONTROLLED DOCUMENT.		DWN G.HOLAUS 10NOV1989	TE Connectivity	
DIMENSIONS: mm		CHK SCHAARSCHMIDT M.		
TOLERANCES UNLESS OTHERWISE SPECIFIED: ±0.2mm		APVD	NAME AMPMODU II PIN HEADER, SINGLE ROW, DUAL ROW, VERTICAL AND RIGHT ANGLE MOUNT	
0 PLC ± 1 PLC ± 2 PLC ± 3 PLC ± 4 PLC ± ANGLES ± FINISH -		PRODUCT SPEC 108-18012	SIZE A2	
MATERIAL SEE TABLE		APPLICATION SPEC 114-25011	CAGE CODE 00779	DRAWING NO 826629
		WEIGHT -	RESTRICTED TO -	
		CUSTOMER DRAWING	SCALE 5:1	SHEET 4 OF 4